

**Main**

Accessory / separate part category	Mounting accessories
Accessory / separate part designation	Mounting adaptor with fixing lugs for panel
Device short name	RPZ
Sale per indivisible quantity	20

**Complementary**

Accessory / separate part destination	Zelio Relay RPM
Product compatibility	Plug-in relay RPM (3 C/O)
Shape of pin	Flat
Product weight	0.01 lb(US) (0.003 kg)

**Environment**

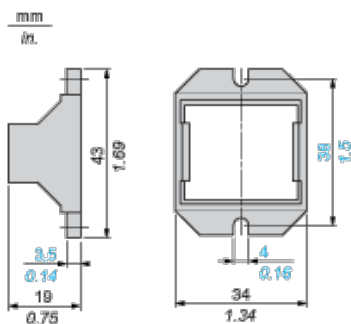
**Offer Sustainability**

WARNING: This product can expose you to chemicals including:	WARNING: This product can expose you to chemicals including:
Nickel compounds, which is known to the State of California to cause cancer, and	Nickel compounds, which is known to the State of California to cause cancer, and
Di-isodecyl phthalate (DIDP), which is known to the State of California to cause birth defects or other reproductive harm.	Di-isodecyl phthalate (DIDP), which is known to the State of California to cause birth defects or other reproductive harm.
For more information go to <a href="http://www.p65warnings.ca.gov">www.p65warnings.ca.gov</a>	For more information go to <a href="http://www.p65warnings.ca.gov">www.p65warnings.ca.gov</a>

**Contractual warranty**

Warranty period	18 months
-----------------	-----------

**Dimensions**



The information provided in this documentation contains general descriptions and/or technical characteristics of the products contained herein. This documentation is not intended as a substitute for and is not to be used for determining suitability or reliability of these products for specific user applications. It is the duty of any such user or integrator to perform the appropriate and complete risk analysis, evaluation and testing of the products with respect to the relevant specific application or use thereof. Neither Schneider Electric Industries SAS nor any of its affiliates or subsidiaries shall be responsible or liable for misuse of the information contained herein.