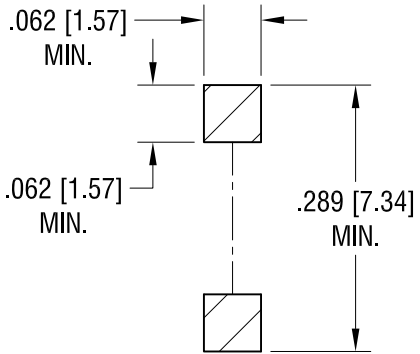
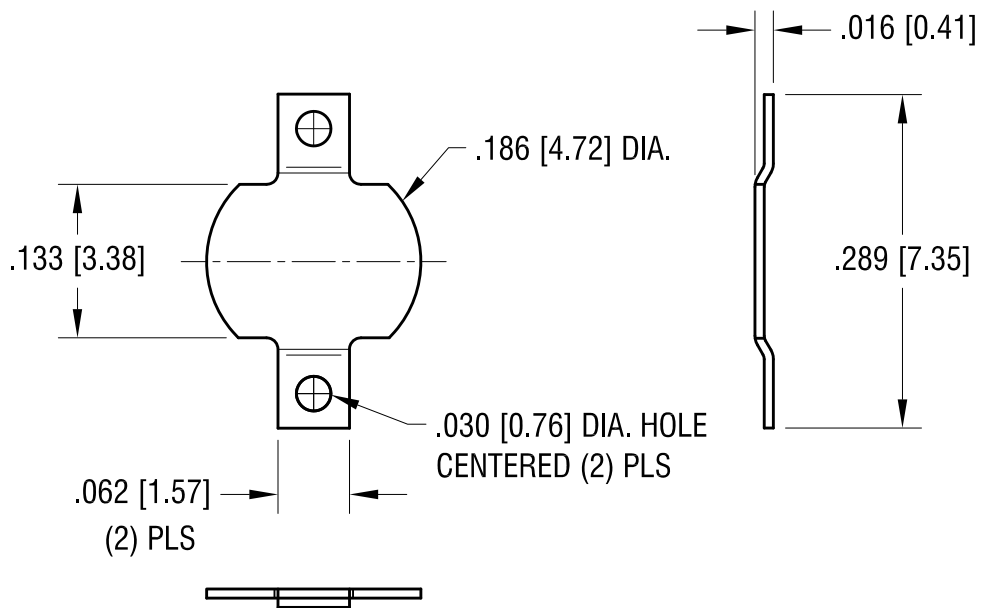
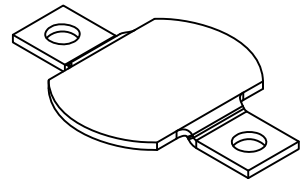


THIS DOCUMENT IS THE PROPERTY OF  
KEYSTONE ELECTRONICS CORP. AND  
SHALL NOT BE REPRODUCED, DISTRIBUTED  
OR USED AS A BASIS FOR MANUFACTURE  
WITHOUT PRIOR WRITTEN PERMISSION  
FROM KEYSTONE ELECTRONICS CORP.



MOUNTING PAD LAYOUT



**KEYSTONE ELECTRONICS CORP.**

www.keyelco.com • ASTORIA, N.Y. 11105-2017 • Tel (718) 956-8900

PART NAME  
**COIN CELL SM NEGATIVE CONTACT**

MATERIAL  
**.008 [.20] TH'K BRASS**

FINISH <b>MATTE TIN PLATE</b>	DRN BY NT	DATE 11.02.09
	APP'D LN	SCALE 6X

TOLERANCES DECIMAL ANGULAR	INCH $\pm .005$ $\pm 1^\circ$	[MM] [ $\pm 0.13$ ]	CODE C	DWG NO. <b>2982</b>
UNLESS OTHERWISE SPECIFIED				

DATE	DESCRIPTION	REV.