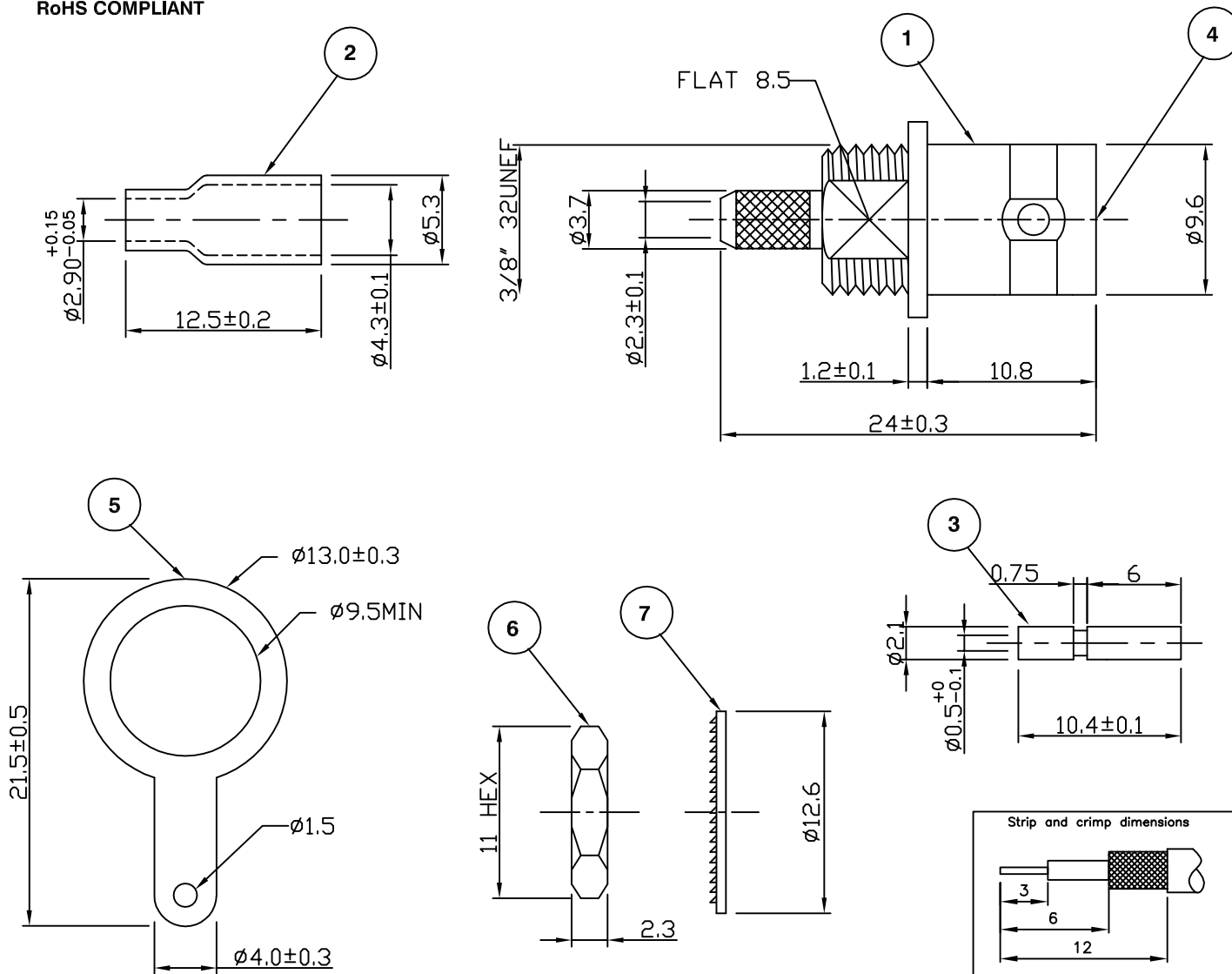


RoHS COMPLIANT



Electrical Characteristics

Nominal Impedance:	75 ohms
Frequency Range:	DC to 1 GHz
VSWR:	1.3:1 maximum
Insertion Loss:	0.2 dB at 1 GHz
Operating Voltage (rms):	500 V maximum at sea level
Dielectric Withstand Voltage (rms):	1500 V maximum at sea level
Contact Resistance:	1.5 milliohms maximum
Insulation Resistance:	5000 megohms minimum

Mechanical Characteristics

Mating Cycles:	500 cycles minimum
Interface Dimensions:	Conform to MIL-C-39012


Environmental Characteristics

Temperature Range:	-65 °C to +165 °C
--------------------	-------------------

PART	DESCRIPTION
1	Body Brass, nickel plated 2.54 µm
2	Ferrule Brass, nickel plated 2.54 µm
3	Contact Brass, gold plated 0.076 µm - 0.127 µm
4	Dielectric PTFE
5	Washer Brass, nickel plated 2.54 µm
6	Nut Brass, nickel plated 2.54 µm
7	Washer Steel, nickel plated 2.54 µm

DESCRIPTION OF REVISION	APPVD	ISS	DATE
Dimensional Update on Item3-Contact	JT	6	02 June 10
Dimensional Update on Item5-Washer	JT	5	26 April 10
Strip Dims Added	MS	4	20 Aug 09
Updated Dimensions	LB	3	23 June 09
CAD Issue	SN	2	05 May 02
First Issue	DW	1	20 Feb 98

For stripping and assembly instructions see Drawing Number: VAIB6101

 <p>Cinch Connectivity Solutions 7-13 Russel Way, Widford Industrial Estate, Chelmsford, Essex, CM1 3AA, UK. Tel: +44 (0) 1245 359515 Fax: +44 (0) 1245 358938</p>	SCALE: Not To Scale	DRAWN BY: S Nash	TITLE: BNC Crimp Panel Mount Jack (front entry) for RG179	PART NUMBER: VB60-2061
	DIMENSIONS: mm	CHECKED BY: S Nash		PAGE: 1 of 1
	TOLERANCES: ± 0.2mm unless otherwise stated	APPROVED BY: P D Couzens		
		DATE: 05 May 02		