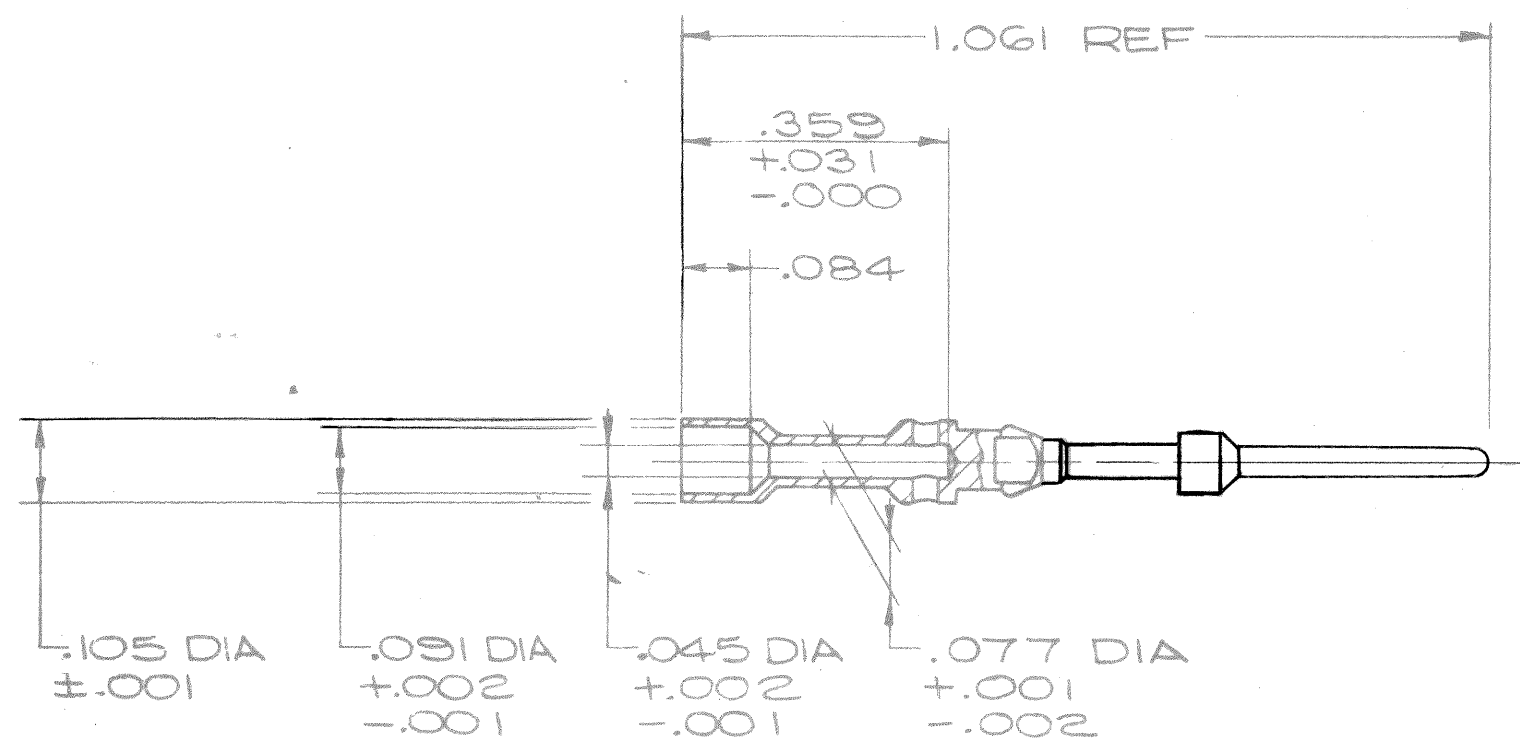


REL NO. 35508-153		REVISIONS		
CHG NO.	SYM	DESCRIPTION	DATE	APPROVED
42531 -38	A1	(MFG); REDRAWN, WAS SIZE A	1-3-64 Cheer-man	<i>J. Land</i>
42075 -4	A2	REM 9-3013 (PRO SPEC)	4-29-64 Lambrech	<i>J. Hayes</i>
45525 -137	A3	CHG PICT.	11-17-65 MICHAELS	<i>J. Hayes</i>
57076 -15	B	(MFG); WAS .3000 SQ IN. (NOTE 1), 9-4804 (PROCESS SPEC); REM NOTE 2	10-20-75 Randall	<i>J. Hayes</i>



MADE FROM 10-189000-20B

DRAWING CONTROLLED BY ELECTRICAL CONNECTOR DESIGN GROUP

USE OF THIS DOCUMENT IS UNLIMITED. DOCUMENTS REFERENCED HEREON CONTAIN LIMITED RIGHTS DATA.

ITEM NO.	QTY REQD	DESCRIPTION	PART NUMBER	CODE IDENT	ZONE
<b>PARTS LIST</b>					
UNLESS OTHERWISE SPECIFIED		DRAWN: VIMISLIK	DATE: 10-29-58	<b>THE Bendix CORPORATION</b> <b>SCINTILLA DIVISION</b> SIDNEY, NEW YORK, U.S.A. TITLE: CONTACT, PIN, ELECTRICAL CONNECTOR, SIZE 20 CEIG, GOLD PLATED, .000050 CODE IDENT NO. 77820    SIZE B    10-189000-202	
LINEAR DIMENSIONS ARE IN INCHES. TOLERANCES: 3 PLACES ±.010; 2 PLACES ±.03; 1 PLACE ±.1; ANGLES ±2°. OTHER STANDARDS PER SCINTILLA SPEC 9-3800 AND MIL-STD 8.		CHECKED: <i>ED Horton</i>	DATE: 1-16-64		
MATERIAL SPEC		MATERIAL: <i>Powder 1-16-64</i>	STANDARDS: <i>J-Balantini 1-16-64</i>		
PROCESS SPEC		DRAFTING: <i>Reed</i>	ENGINEERING: <i>J. Hayes 1-16-64</i>		
		DEVELOPMENT: <i>Art Kelly 1/16/64</i>			
\$ OTHERS 72-191000/24 NEXT ASSEMBLY					

3 ALL DIMENSIONS ARE AFTER PLATING.  
 2  
 1. MEAN SURFACE AREA .3097 SQ IN.

NOTES: REF SYMBOL ◁

GOLD PLATE 9-6800-2 SEE NOTE 1

SCALE 4/1    WT    REF 10-1018-202    SHEET