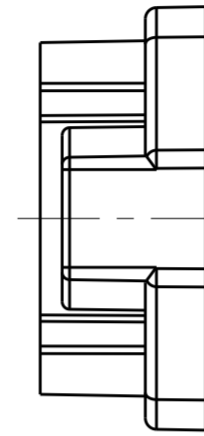
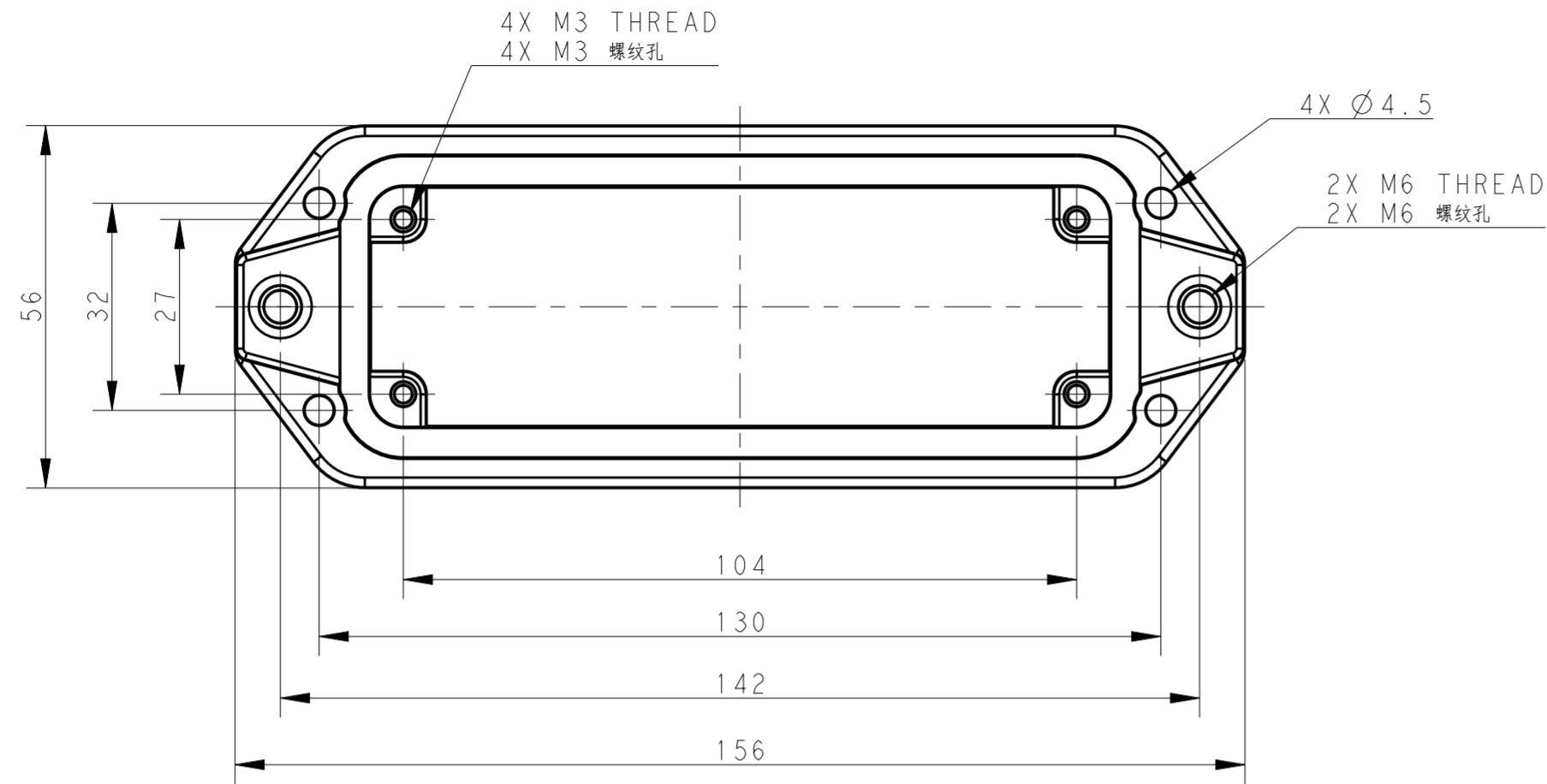


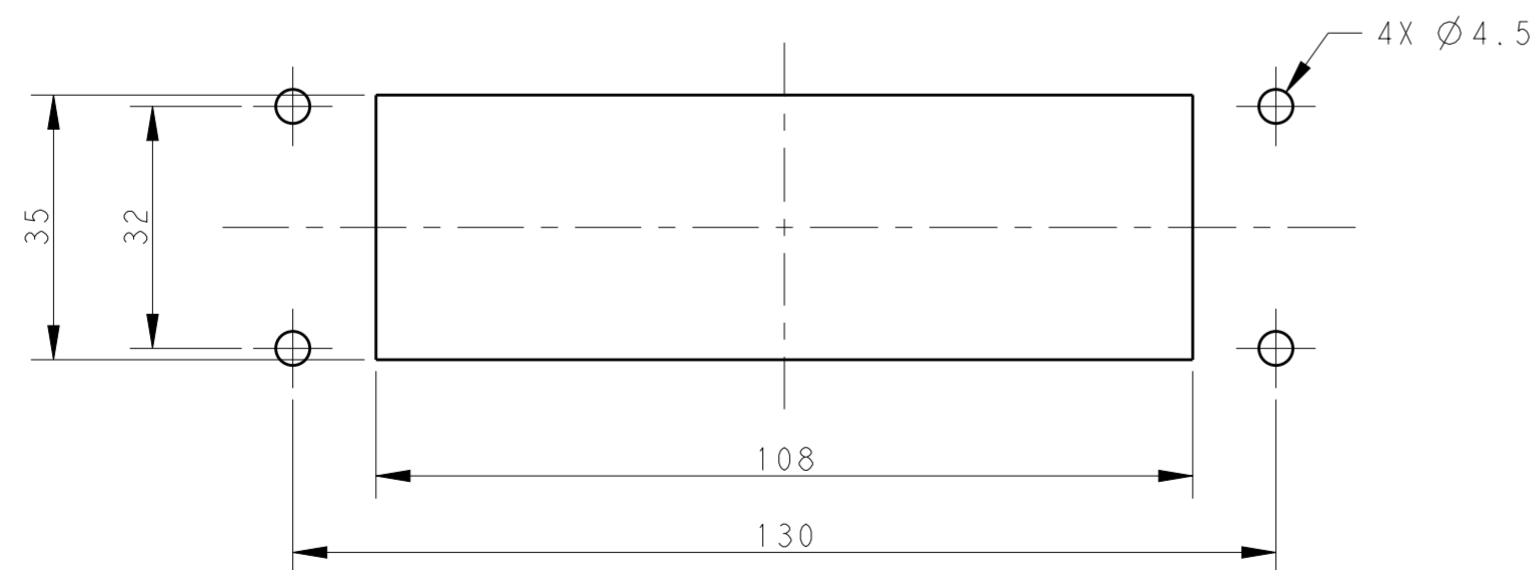
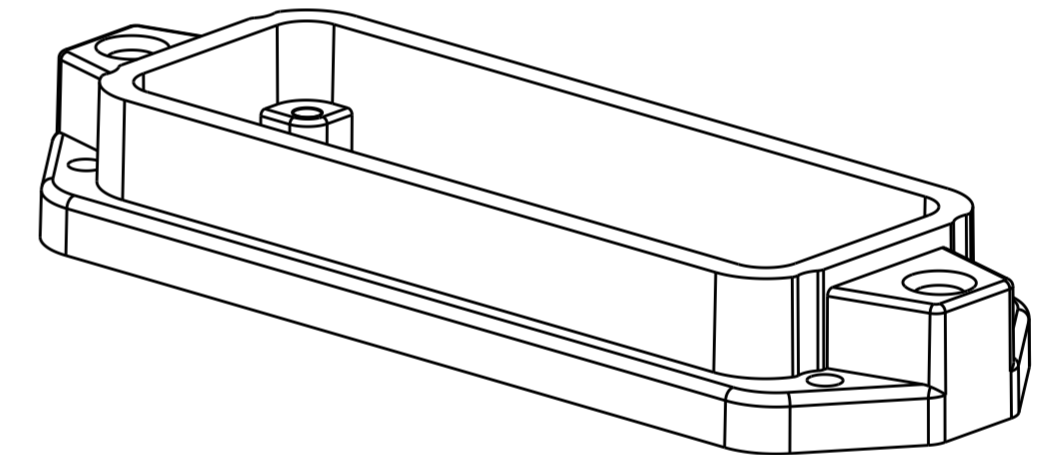
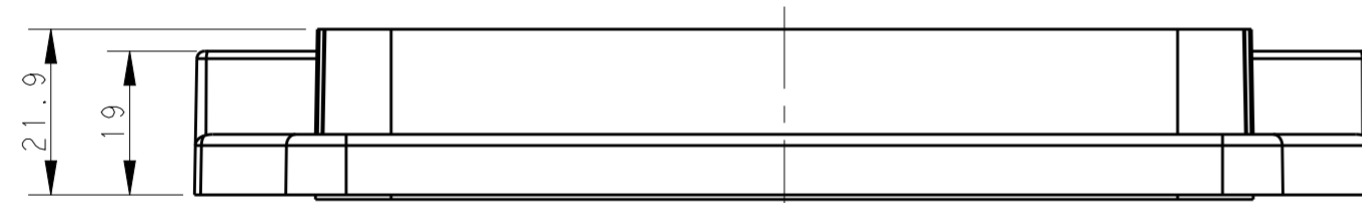
THIS DRAWING IS UNPUBLISHED. RELEASED FOR PUBLICATION 20  
 © COPYRIGHT 20 BY - ALL RIGHTS RESERVED.

REVISIONS				
P	LTR	DESCRIPTION	DATE	APVD
	A	INITIAL RELEASE	15JUN2016	DW CW



NOTES:  
 1. TECHNICAL CHARACTERISTICS:  
 HOUSING MATERIAL: DIE CAST ALUMINIUM ALLOY  
 SURFACE : SEE TABLE  
 DEGREE OF PROTECTION: IP68 (MATED)

注释  
 1. 技术参数:  
 壳体材料: 铝合金  
 表面处理: 见表格  
 防护等级: IP68 (配合)



Panel Cut Out  
 面板开口尺寸

T1932242000-009	H24BPR-AGC-EMC-C H24BPR HOUSING, CENTER LOCKING, BULKHEAD MOUNTED, POWDER COATED, GREY H24BPR中部锁定开孔下壳 灰色
T1932241000-009	H24BPR-AGC-EMC-C H24BPR HOUSING, CENTER LOCKING, BULKHEAD MOUNTED, POWDER COATED, SILVER WHITE H24BPR中部锁定开孔下壳 银白色
T1932240000-009	H24BPR-AGC-EMC-C H24BPR HOUSING, CENTER LOCKING, BULKHEAD MOUNTED, POWDER COATED, BLACK H24BPR中部锁定开孔下壳 黑色
PART NUMBER 料号	DESCRIPTION 描述

THIS DRAWING IS A CONTROLLED DOCUMENT.		DWN DAVID WANG 15JUN2016	TE Connectivity	
		CHK CHRIS WANG 15JUN2016		
		APVD XIANG XU 15JUN2016	NAME H24BPR-AGC-EMC-C	
DIMENSIONS: mm		PRODUCT SPEC 108-137191	RESTRICTED TO	
TOLERANCES UNLESS OTHERWISE SPECIFIED: 0 PLC ± 1 PLC ± 2 PLC ± 3 PLC ± 4 PLC ± ANGLES ± FINISH		APPLICATION SPEC 114-137191	SIZE A2	CAGE CODE -
MATERIAL -		WEIGHT -	DRAWING NO G-T193224XXXXX09	SCALE 1:1
		CUSTOMER DRAWING	SHEET 1	OF 1
			REV A	