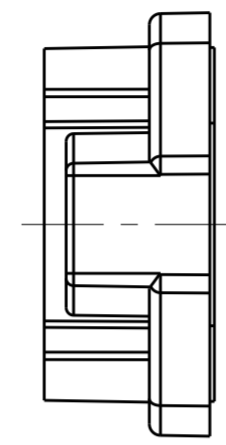
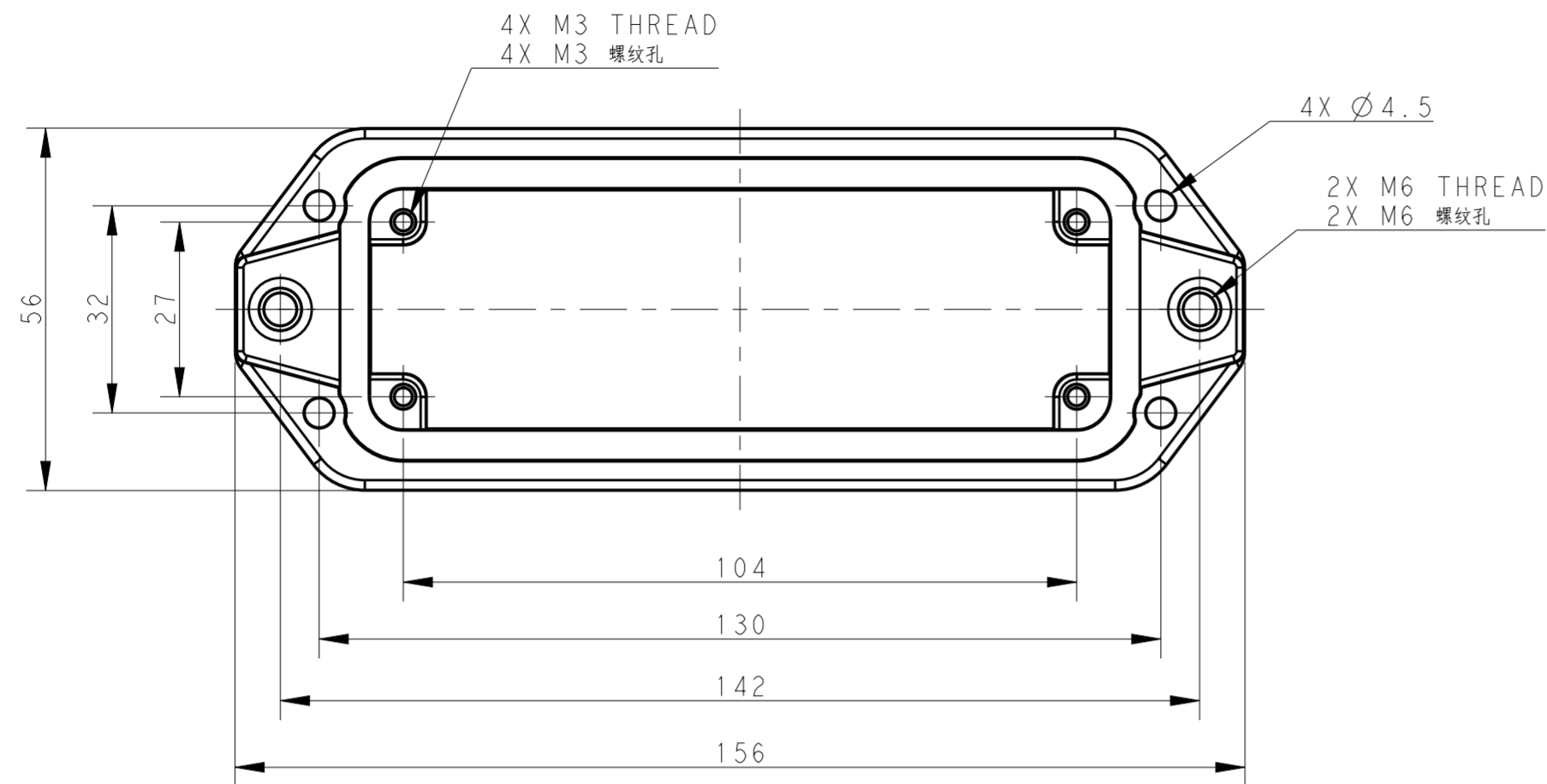


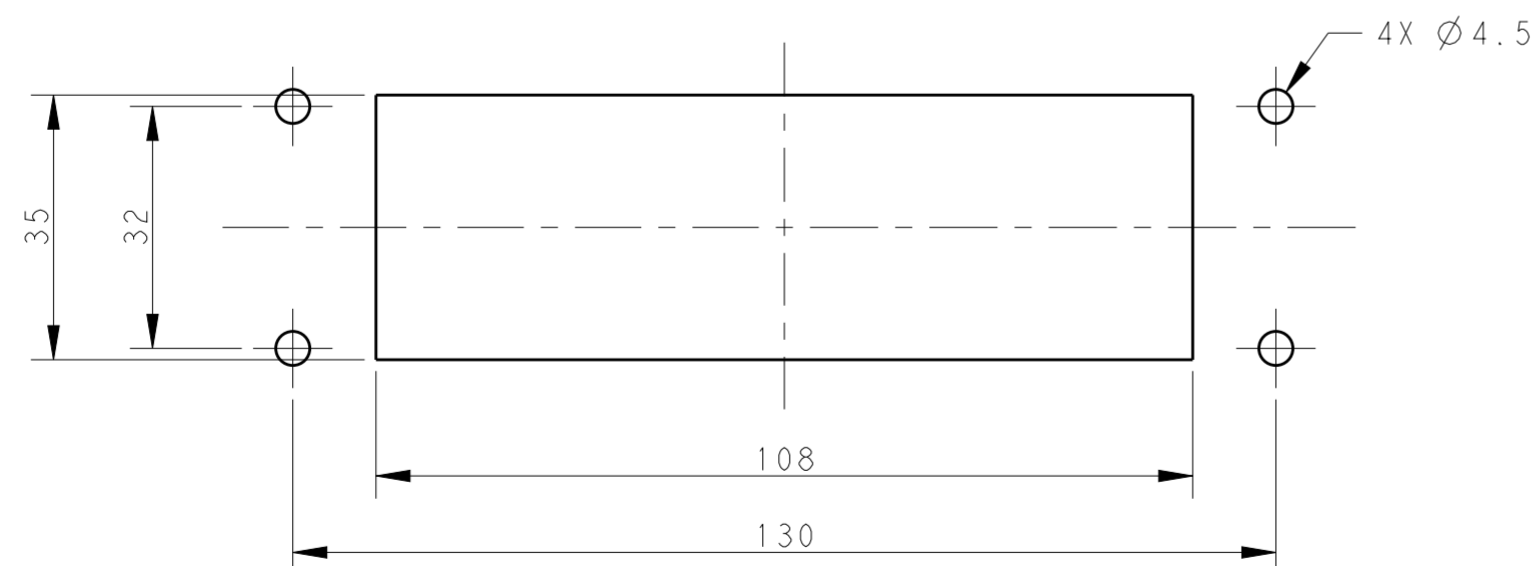
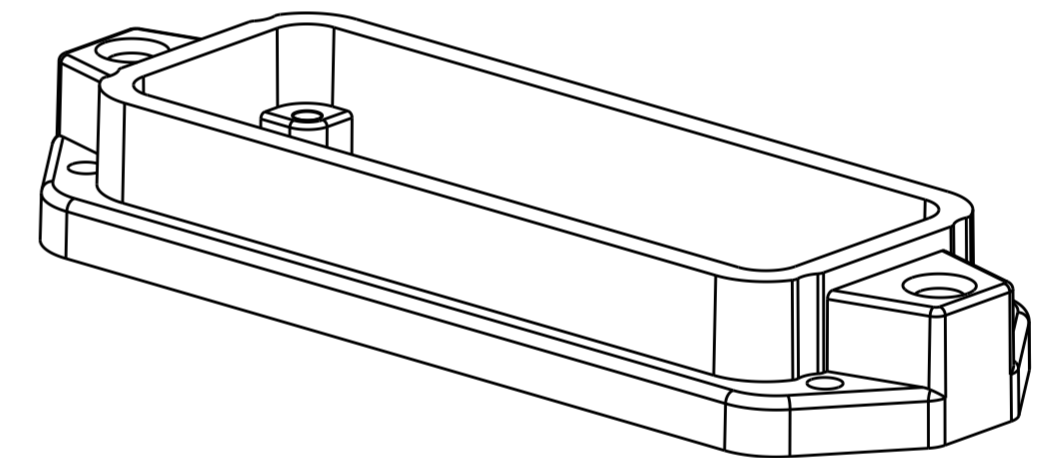
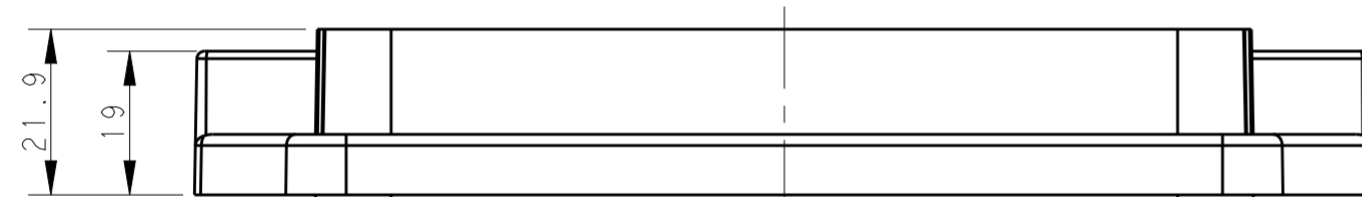
THIS DRAWING IS UNPUBLISHED. RELEASED FOR PUBLICATION 20
 © COPYRIGHT 20 BY - ALL RIGHTS RESERVED.

REVISIONS				
P	LTR	DESCRIPTION	DATE	APVD
	A	INITIAL RELEASE	15JUN2016	DW CW



NOTES:
 1. TECHNICAL CHARACTERISTICS:
 HOUSING MATERIAL: DIE CAST ALUMINIUM ALLOY
 SURFACE : SEE TABLE
 DEGREE OF PROTECTION: IP68 (MATED)

注释
 1. 技术参数:
 壳体材料: 铝合金
 表面处理: 见表格
 防护等级: IP68 (配合)



Panel Cut Out
 面板开口尺寸

T1932242000-009	H24BPR-AGC-EMC-C H24BPR HOUSING, CENTER LOCKING, BULKHEAD MOUNTED, POWDER COATED, GREY H24BPR中部锁定开孔下壳 灰色
T1932241000-009	H24BPR-AGC-EMC-C H24BPR HOUSING, CENTER LOCKING, BULKHEAD MOUNTED, POWDER COATED, SILVER WHITE H24BPR中部锁定开孔下壳 银白色
T1932240000-009	H24BPR-AGC-EMC-C H24BPR HOUSING, CENTER LOCKING, BULKHEAD MOUNTED, POWDER COATED, BLACK H24BPR中部锁定开孔下壳 黑色

PART NUMBER	DESCRIPTION
料号	描述
THIS DRAWING IS A CONTROLLED DOCUMENT.	
DIMENSIONS: mm	TOLERANCES UNLESS OTHERWISE SPECIFIED: 0 PLC ± 1 PLC ± 2 PLC ± 3 PLC ± 4 PLC ± ANGLES ± FINISH -
MATERIAL	-
DWN DAVID WANG 15JUN2016 CHK CHRIS WANG 15JUN2016 APVD XIANG XU 15JUN2016 PRODUCT SPEC 108-137191 APPLICATION SPEC 114-137191 WEIGHT - CUSTOMER DRAWING	
TE Connectivity	
NAME: H24BPR-AGC-EMC-C	
SIZE: A2	CAGE CODE: -
DRAWING NO: G-T193224XXXXX09	RESTRICTED TO: -
SCALE: 1:1	SHEET 1 OF 1
REV: A	