

EH TQG PANEL MOUNT CONNECTORS

NEW PRODUCT BULLETIN 605

FEATURES & BENEFITS

- Same high quality connectors as our popular TQG Series, except both male and female versions utilize the same size panel cut-out, simplifying installation and modification.
- Rugged metal construction.
- Available in nickel or black finish.
- Available with 3, 4, 5, 6 or 7 contacts for male, plated in silver or gold and 3, 4 and 5 contacts for female.
- RoHS Compliant.
- The perfect match for our QGPK Series of I/O panels and our WP Series of wall-plates. More info available on our website.

APPLICATIONS

- Communications equipment
- Wall plates
- Custom I/O panels
- Pro audio equipment



SWITCHCRAFT®

A H E I C O C O M P A N Y

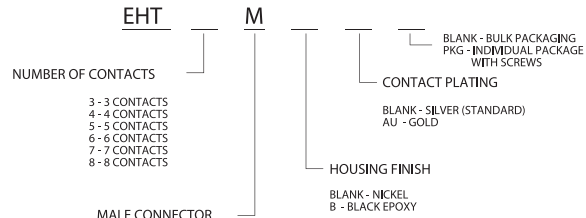
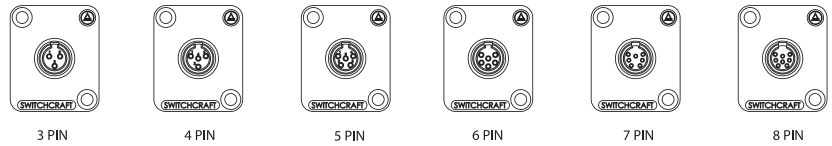
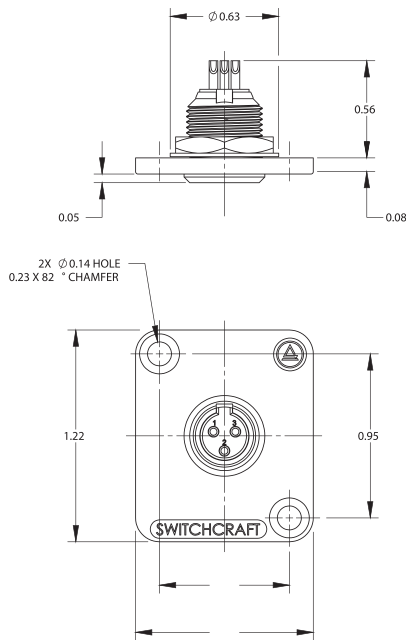


5555 N Elston Ave | Chicago, IL 60630 | P: 773.792.2700 | F: 773.792.2129 | www.switchcraft.com | Made in USA.

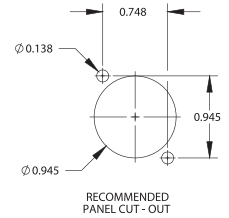
EH TQG PANEL MOUNT CONNECTORS

NEW PRODUCT BULLETIN 605

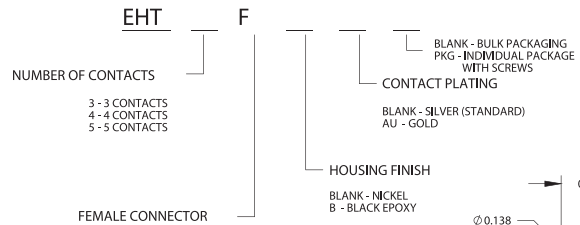
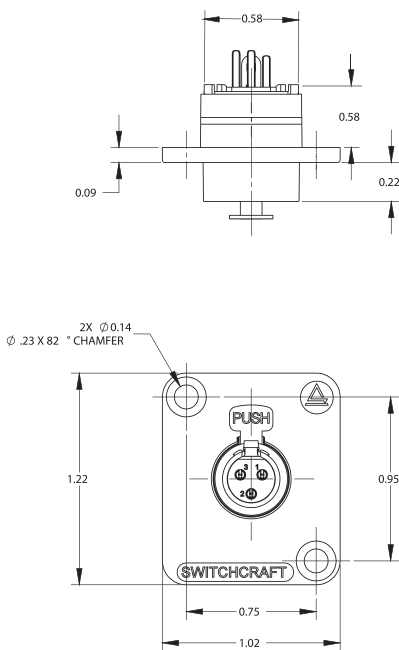
MALE EH TQG PANEL CONNECTORS



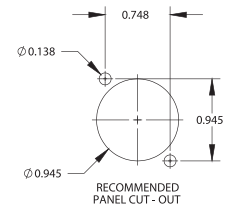
- MALE CONNECTOR
- NOTES:
- MATERIALS:
 PLATE - ZINC ALLOY, PLATED
 SHELL - COPPER ALLOY, NICKEL PLATED
 INSERT - THERMOPLASTIC, BROWN
 CONTACT PINS - COPPER ALLOY, PLATED
 WASHER - COPPER ALLOY, NICKEL PLATED
 NUT - COPPER ALLOY, NICKEL PLATED
 - THIS PART IS RoHS COMPLIANT.



FEMALE EH TQG PANEL CONNECTORS



- FEMALE CONNECTOR
- NOTES:
- MATERIALS:
 HOUSING - ZINC ALLOY, PLATED
 INNER HOUSING - COPPER ALLOY, NICKEL PLATED
 FRONT AND REAR INSERTS - THERMOPLASTIC, BROWN
 CONTACT PINS - COPPER ALLOY, PLATED
 SOLDER TERMINAL - COPPER ALLOY, TIN PLATED
 LATCH - COPPER ALLOY, NICKEL PLATED
 RELEASE LEVER - STEEL, NICKEL PLATED
 LEVER RETURN SPRING, STAINLESS STEEL
 - THIS PART IS RoHS COMPLIANT.



Please visit www.switchcraft.com for the most up-to-date product specifications. Made in USA.