

THIS DRAWING IS UNPUBLISHED. RELEASED FOR PUBLICATION
 © COPYRIGHT - By - ALL RIGHTS RESERVED.

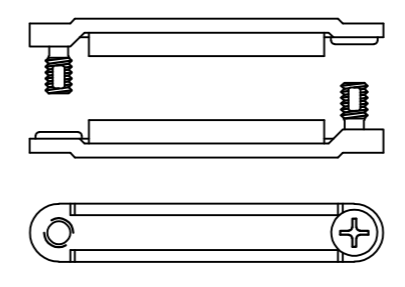
| LOC | | DIST | | REVISIONS | | | |
|-----|-----|--------------|------|-----------|------|--|--|
| P | LTR | DESCRIPTION | DATE | DWN | APVD | | |
| - | - | SEE SHEET #1 | - | - | - | | |

1. PART NUMBER VARIABLES: (NOT ALL POSSIBLE CONFIGURATIONS SHOWN ON THIS DRAWING ARE AVAILABLE AS STANDARD PRODUCTS. PLEASE CHECK WITH RAYCHEM TO CONFIRM AVAILABILITY.)
- MTC100-XHX-XXX-XXX
- MODIFICATIONS (see table I) (THIS SPACE BLANK IF NO MODIFICATION IS APPLICABLE)
 - 1= W/O CABLE CLAMP AND W/O EARS ON SHELL
 - 2= WITH CABLE CLAMP AND EARS ON SHELL
 - 3= W/O CABLE CLAMP AND WITH EARS
 - 4= WITH FLAT CABLE CLAMP (SEE VIEW V) AND EARS ON SHELL
 - 1= BLACK ANODIZED (WHITE MARKING)
 - 2= ELECTROLESS NICKEL (BLACK MARKING)
 - 3= CADMIUM OVER NICKEL UNDERPLATE (BLACK MARKING)
 - P= PLUG
 - R= FLANGELESS RECEPTACLE
 - F= FLANGED RECEPTACLE: STANDARD ("J" TYPE) HAS NON CONDUCTIVE FLUOROSILICONE GASKET SHIELDED ("S" TYPE) HAS CONDUCTIVE FLUOROSILICONE GASKET
 - 1= 1 INCH
 - 2= 2 INCH
 - J= STANDARD TYPE
 - S= SHIELDED
 - Y= SPECIAL TYPE: REFER TO INDIVIDUAL SPECIFICATION CONTROL DRAWINGS FOR DESCRIPTIONS

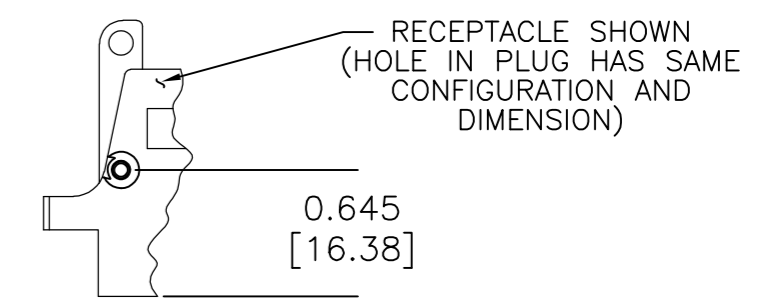
2. MATERIAL:
- A) SHELL ALUMINUM ALLOY PER ASTM B85
 - B) RETENTION CLIP COPPER ALLOY 172 PER ASTM B194
 - C) ADAPTER SCREW OR CAP SCREW STAINLESS STEEL PER SAE-AMS-QQ-S-763, 300 SERIES
 - D) ADAPTER NUT OR RETAINER BUSHING STAINLESS STEEL PER SAE-AMS-QQ-S-763, 300 SERIES
 - E) PANEL OR LOCK WASHER STAINLESS STEEL PER SAE-AMS-QQ-S-763 OR ASTM B240, 300 SERIES
 - F) KEYING PIN HIGH GRADE POLYARYLENE THERMOPLASTIC, MOLDED
 - G) KEY PINS INSERT HIGH GRADE POLYARYLENE THERMOPLASTIC, MOLDED
 - H) CLAMP BAR STAINLESS STEEL PER SAE-AMS-QQ-S-763, 300 SERIES
 - J) CLAMP INSERT SILICONE ELASTOMER PER MIL-R-25988
 - K) CAPTIVE SCREW STAINLESS STEEL PER SAE-AMS-QQ-S-763, 300 SERIES
 - L) RETAINING RING COPPER ALLOY 172 PER ASTM B194

3. FINISH:

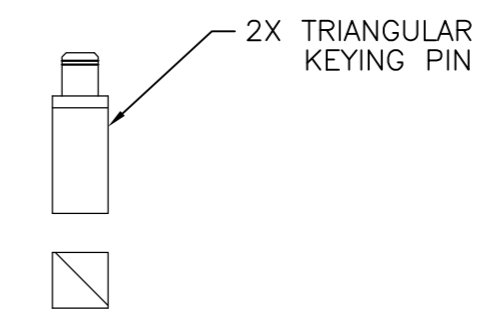
| | APPLIES TO NICKEL PLATED CONNECTORS | APPLIES TO CADMIUM PLATED CONNECTORS | APPLIES TO BLACK ANODIZED CONNECTORS |
|------------------------------------|---|--|---|
| A) SHELL | NICKEL PLATED PER SAE-AMS-C-26074 CLASS 3, GRADE B | CADMIUM PLATED PER SAE-AMS-QQ-P-416 OVER NICKEL UNDERPLATE | BLACK ANODIZED PER MIL-A-8625, TYPE II, CLASS 2 |
| B) RETENTION CLIP | NICKEL PLATED PER SAE-AMS-C-26074 CLASS 2, .00002 MINIMUM | CADMIUM PLATED PER SAE-AMS-QQ-P-416 | NICKEL PLATED PER SAE-AMS-C-26074 CLASS 2, .00002 MINIMUM |
| C) ADAPTER OR CAP SCREW | PASSIVATED PER SAE-AMS-2700 | CADMIUM PLATED PER SAE-AMS-QQ-P-416 | PASSIVATED PER SAE-AMS-2700 |
| D) ADAPTER NUT OR RETAINER BUSHING | PASSIVATED PER SAE-AMS-2700 | CADMIUM PLATED PER SAE-AMS-QQ-P-416 | PASSIVATED PER SAE-AMS-2700 |
| E) PANEL OR LOCK WASHER | PASSIVATED PER SAE-AMS-2700 | CADMIUM PLATED PER SAE-AMS-QQ-P-416 | PASSIVATED PER SAE-AMS-2700 |
| F) CLAMP BAR | PASSIVATED PER SAE-AMS-2700 | CADMIUM PLATED PER SAE-AMS-QQ-P-416 | PASSIVATED PER SAE-AMS-2700 |
| G) CAPTIVE SCREW | PASSIVATED PER SAE-AMS-2700 | CADMIUM PLATED PER SAE-AMS-QQ-P-416 | PASSIVATED PER SAE-AMS-2700 |
| H) RETAINING RING | NICKEL PLATED PER SAE-AMS-C-26074 | CADMIUM PLATED PER SAE-AMS-QQ-P-416 | NICKEL PLATED PER SAE-AMS-C-26074 |



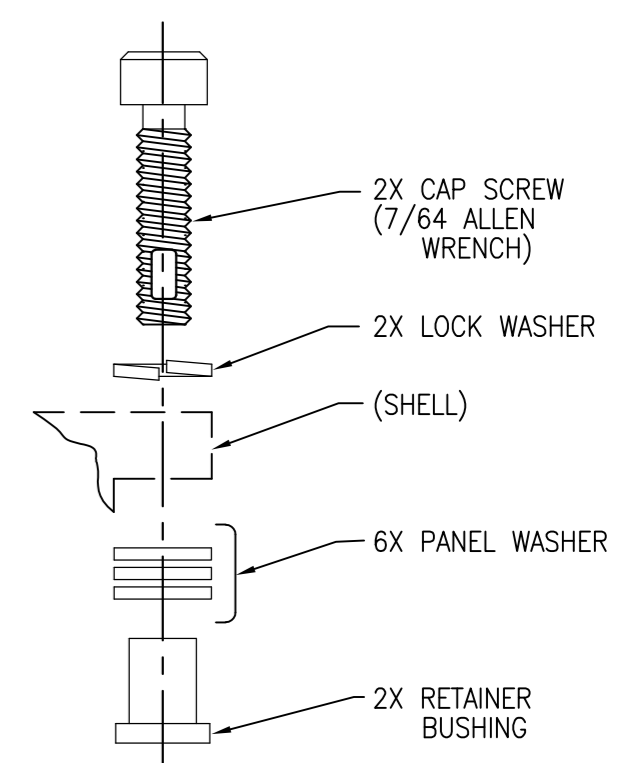
FLAT CABLE CLAMP
VIEW "V"



RECEPTACLE SHOWN (HOLE IN PLUG HAS SAME CONFIGURATION AND DIMENSION)
0.645 [16.38]
HOLE CONFIGURATION FOR ALL "S" TYPE SHELLS AND FLANGED "J" TYPE RECEPTACLE SHELLS
VIEW "Z"



2X TRIANGULAR KEYING PIN
APPLIES TO -014 MODIFICATION (see table I)
VIEW "W"



MTC50 HARDWARE APPLIES TO -020 MODIFICATION (see table I)
VIEW "Y"

TABLE III

| PANEL THICKNESS | NUMBER OF PANEL WASHERS FOR EACH FASTENER |
|-------------------------|---|
| 0.031/0.036 [0.8]/[0.9] | 2 |
| 0.062/0.067 [1.5]/[1.7] | 1 |
| 0.093/0.097 [2.3]/[2.4] | 0 |

- 4. FOR MOUNTING / MATING AND KEYING INFORMATION, SEE RAYCHEM DRAWING D652-0012.
- 5. DUST CAP SUPPLIED WITH EACH PLUG OR RECEPTACLE. NO DUST CAPS ARE SUPPLIED WHEN SHELLS ARE SHIPPED TO CUSTOMER SPECIFICATION NUMBER 991006.
- 6. APPROPRIATE PART NUMBER AND DATE CODE ARE STAMPED APPROXIMATELY AS SHOWN.
- 7. THESE PARTS MEET THE REQUIREMENTS OF RAYCHEM SPECIFICATION C-6111.
- 8. FLANGED RECEPTACLE CONNECTORS PROPERLY MATED AND TORQUED TO 9 INCH POUNDS WILL EXHIBIT AN AIR LEAK RATE NOT EXCEEDING .5 CC / SECOND AT 30 PSI AND 25° C. (APPLICABLE ONLY TO FLANGED RECEPTACLES WITH PIN INSERTS)
- 9. THESE ITEMS ARE SUPPLIED UNASSEMBLED.
- 10. SEE TABLE II & TABLE 4 SHEET 3, WEIGHTS ARE WITHOUT DUST CAP.
- 11. THIS RECEPTACLE IS REAR PANEL MOUNTED BY REMOVING AS MANY PANEL WASHERS AS REQUIRED TO ACCOMMODATE THE THICKNESS OF THE PANEL BEING USED. (SEE TABLE III)
- 12. RECEPTACLE ADAPTER SCREWS (CAP SCREWS) ARE TO BE TORQUED TO 15±1 INCH-LBS (1.0±0.07 N-M)

TABLE I (MODIFICATIONS)

| MODIFICATION DASH NUMBER | DESCRIPTION |
|--------------------------|---|
| -001 | SAME AS STANDARD ASSEMBLY WITH EARS EXCEPT WITHOUT CABLE CLAMPS |
| -007 | SAME AS STANDARD ASSEMBLY EXCEPT METAL PARTS ARE PLATED CADMIUM OVER NICKEL, SUPPLIED WITH MTC50 MOUNTING/ MATING HARDWARE (SEE VIEW "Y") |
| -014 | SAME AS STANDARD EXCEPT ADDITIONALLY TRIANGULAR KEYING PINS INCLUDED (SEE VIEW "W") |
| -020 | SAME AS STANDARD EXCEPT SUPPLIED WITH MTC50 MOUNTING/MATING HARDWARE (SEE VIEW "Y") |
| -028 | SAME AS STANDARD ASSEMBLY EXCEPT SUPPLIED WITHOUT HARDWARE |

THIS DRAWING IS A CONTROLLED DOCUMENT.

| | | | |
|------------------|------------|---------------|--|
| DWN | 19DEC2013 | | TE Connectivity |
| CHK | C.C.THOMAS | | |
| APVD | K.HOGAN | | |
| PRODUCT SPEC | K.HOGAN | | |
| APVD | 12-19-13 | NAME | SHELL, PLUG AND RECEPTACLE MTC100 SERIES |
| APPLICATION SPEC | | SIZE | A2 |
| WEIGHT | - | CAGE CODE | 00779 |
| CUSTOMER DRAWING | | DRAWING NO | C=MTC100-XHX-XXX-XXX |
| | | RESTRICTED TO | - |
| | | SCALE | NTS |
| | | SHEET | 2 of 3 |
| | | REV | W |

THIS DRAWING IS UNPUBLISHED. RELEASED FOR PUBLICATION
 © COPYRIGHT - By - ALL RIGHTS RESERVED.


| LOC | | DIST | | REVISIONS | | | |
|-----|-----|--------------|------|-----------|------|--|--|
| P | LTR | DESCRIPTION | DATE | DWN | APVD | | |
| - | - | SEE SHEET #1 | - | - | - | | |

THE FOLLOWING TABLE CONSISTS OF WEIGHTS FOR THESE SPECIFIC PART NUMBERS.

| PART NUMBER | WEIGHT MAXIMUM GRAMS |
|----------------|-------------------------|
| MTC100-JH1-F32 | 30.8 |
| MTC100-JH1-P32 | 23.8 |
| MTC100-JH1-R32 | 27.3 |
| MTC100-JH2-F32 | 43.7 |
| MTC100-JH2-P32 | 34.2 |
| MTC100-JH2-R32 | 38.3 |
| MTC100-SH1-F33 | 24.2 * |
| MTC100-SH1-P33 | 16.1 * |
| MTC100-SH1-R33 | 20.3 * |
| MTC100-SH2-F33 | 32.3 * |
| MTC100-SH2-P33 | 22.7 * |
| MTC100-SH2-R33 | 27.0 * |

| PART NUMBER | WEIGHT MAXIMUM GRAMS |
|----------------|-------------------------|
| MTC100-JH1-F22 | 30.8 |
| MTC100-JH1-P22 | 23.8 |
| MTC100-JH1-R22 | 27.3 |
| MTC100-JH2-F22 | 43.7 |
| MTC100-JH2-P22 | 34.2 |
| MTC100-JH2-R22 | 38.3 |
| MTC100-SH1-F23 | 24.2 * |
| MTC100-SH1-P23 | 16.1 * |
| MTC100-SH1-R23 | 20.3 * |
| MTC100-SH2-F23 | 32.3 * |
| MTC100-SH2-P23 | 22.7 * |
| MTC100-SH2-R23 | 27.0 * |

* = WEIGHT DOES NOT INCLUDE CABLE CLAMP

| | | | | | | | | | | | | | | | | | | | | | | |
|--|---|--------------------------------|---|--------------------|-------|---|---|-------|---|-----------|-------|---|-------------|-------|---|---|--------|---|---|-------------------|------------|--|
| THIS DRAWING IS A CONTROLLED DOCUMENT. | | DWN C.C.THOMAS 19DEC2013 |  TE Connectivity | | | | | | | | | | | | | | | | | | | |
| DIMENSIONS: INCHES [mm] | | CHK K.HOGAN 12-19-13 | | | | | | | | | | | | | | | | | | | | |
| TOLERANCES UNLESS OTHERWISE SPECIFIED: | | APVD K.HOGAN 12-19-13 | NAME SHELL, PLUG AND RECEPTACLE MTC100 SERIES | | | | | | | | | | | | | | | | | | | |
| <table border="0"> <tr><td>0 PLC</td><td>±</td><td>-</td></tr> <tr><td>1 PLC</td><td>±</td><td>-</td></tr> <tr><td>2 PLC</td><td>±</td><td>.02 [0.5]</td></tr> <tr><td>3 PLC</td><td>±</td><td>.005 [0.13]</td></tr> <tr><td>4 PLC</td><td>±</td><td>-</td></tr> <tr><td>ANGLES</td><td>±</td><td>-</td></tr> </table> | | 0 PLC | ± | - | 1 PLC | ± | - | 2 PLC | ± | .02 [0.5] | 3 PLC | ± | .005 [0.13] | 4 PLC | ± | - | ANGLES | ± | - | PRODUCT SPEC - | SIZE A2 | |
| 0 PLC | ± | - | | | | | | | | | | | | | | | | | | | | |
| 1 PLC | ± | - | | | | | | | | | | | | | | | | | | | | |
| 2 PLC | ± | .02 [0.5] | | | | | | | | | | | | | | | | | | | | |
| 3 PLC | ± | .005 [0.13] | | | | | | | | | | | | | | | | | | | | |
| 4 PLC | ± | - | | | | | | | | | | | | | | | | | | | | |
| ANGLES | ± | - | | | | | | | | | | | | | | | | | | | | |
| MATERIAL - | | FINISH - | APPLICATION SPEC - | CAGE CODE 00779 | | | | | | | | | | | | | | | | | | |
| | | WEIGHT - | DRAWING NO MTC100-XHX-XXX-XXX | RESTRICTED TO - | | | | | | | | | | | | | | | | | | |
| CUSTOMER DRAWING | | | SCALE NTS | SHEET 3 of 3 | | | | | | | | | | | | | | | | | | |
| | | | REV W | | | | | | | | | | | | | | | | | | | |

MTC100-XHX-XXX-XXX