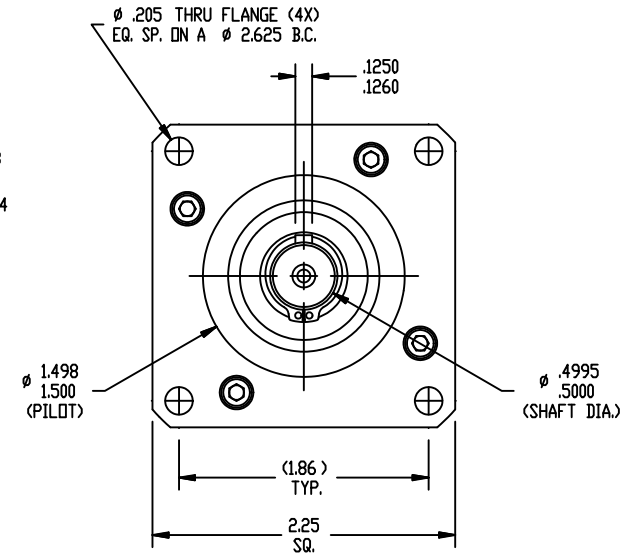
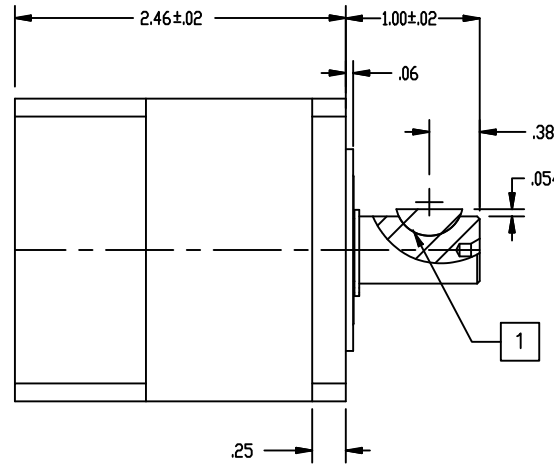
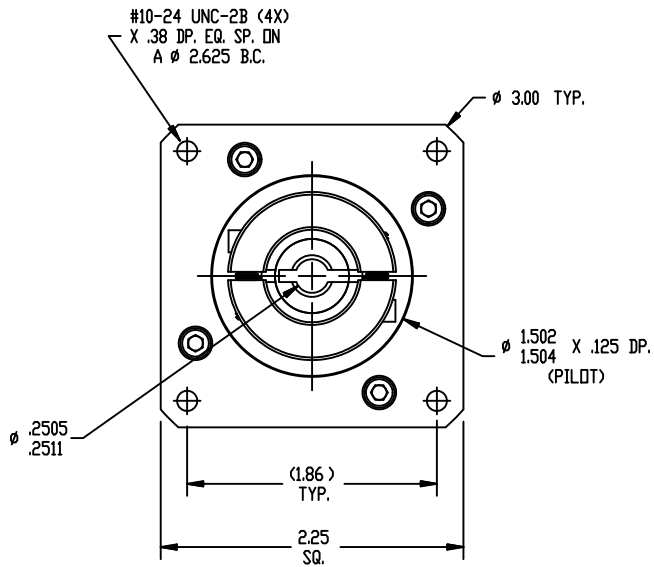


REVISIONS

REV	DESCRIPTION	DATE	APPROVED
A	INITIAL RELEASE ECO 6709	2/22/13	J Kordik



NOTES: UNLESS OTHERWISE SPECIFIED

- 1 #404 WOODRUFF KEY.
2. 23VL005 RATIO- 5:1
3. FOR TECHNICAL DETAILS, CONTACT APPLIED MOTION PRODUCTS.

TOLERANCES	THIRD ANGLE PROJECTION	APPLIED MOTION PRODUCTS, INC.	
DECIMALS: [MM] INCH X.XXX = \pm .005 X.XX = \pm [0.13] .010 X.X = \pm [0.25] .020 ANGLES: MACH. = \pm 5° CHAM. = \pm 5°		OUTLINE, GEAR HEAD, VL23, 1 STAGE	
COMPUTER DATA BASE DRAWING	APPROVALS		
	DRAWN R. JONEZ	2/22/13	B
	CHECKED		DWG NO. 23VL005
	APPROVED		REV A
		SCALE: FULL	SHEET 1 OF 1