



NOTES:

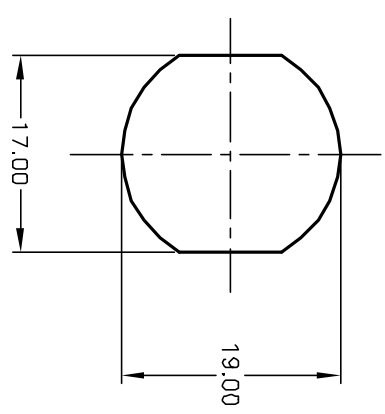
1. ALL DIMENSIONS IN MM [INCH]
2. GENERAL TOLERANCE: X.X=±0.4  
X.XX=±0.25
3. TERM. NOS. FOR REFERENCE ONLY.
4. RATING: 4A @125VAC, 2A @250VAC
5. CONTACT RESISTANCE: 10mILLI-OHMS
6. DIELECTRIC STRENGTH: 1500 VAC-1Minute
7. INSULATION RESISTANCE: 500Mega-OHMS
8. MATERIALS:  
HOUSING: ZINC ALLOY DIE CAST  
CYLINDER: ZINC ALLOY W/CHROME PLATING  
TERMINAL AND CONTACTS: SILVER PLATED  
KEYS (2) CODE 10001: TUBULAR STEEL, NICKEL PLATED



CIRCUIT: SPDT  
CONTACT CONFIGURATION

SWITCH FUNCTION	CONNECTED TERM#	POS 3
↙	POS 2	↘
DN	OFF	DN
1-3		2-4

LEGEND  
 ○ =OFF POSITION  
 ■ =INDICATES KEY PULL



RECOMMENDED PANEL CUTOUT

**E-SWITCH®**

K0114A-10001

REV.	ECN No.	DESCRIPTION	DATE	CHKD
B	11739	REVISED PART DESCRIPTION	10/15/01	CJB

TITLE	SCALE	DATE	DR	DWG	REV
	1.5:1	3/29/01	CJB	K200104	B

THE INFORMATION CONTAINED IN THIS DOCUMENT IS PROPRIETARY TO E-SWITCH AND IS NOT TO BE COPIED OR TRANSMITTED