

- NOTES:
1. METRIC DIMS SHOWN IN ( ).
  2. MOUNTING HARDWARE TO BE SHIPPED UNASSEMBLED.

THIS DOCUMENT IS THE PROPERTY OF EATON CORP. IT'S CONTENTS ARE PROPRIETARY AND CONFIDENTIAL AND SHALL NOT BE DISCLOSED TO ANY UNAUTHORIZED PERSON, COPIED OR PUBLISHED WITHOUT EATON'S PRIOR WRITTEN CONSENT.



TITLE		DIMS FOR DOUBLE INSULATED TOOL HANDLE SWITCH FOR EUROPEAN USE			
ORDER NO.		BASIC SPECS. SUMMARY			
702A575014					
A2	REDRAWN ON CAD. REMOVED BOTTOM VIEW.	TC		DR.	MICHAEL WHITED
	ECN01229603	93719990	1/22/96	1/8/76	RICHARD SAWS
	ECN			1/14/76	ECN01229603
	ECN			<b>EATON</b>	

A  
 90-6358



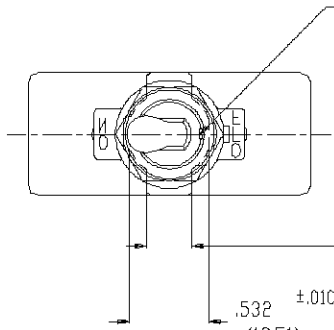




B

91-614

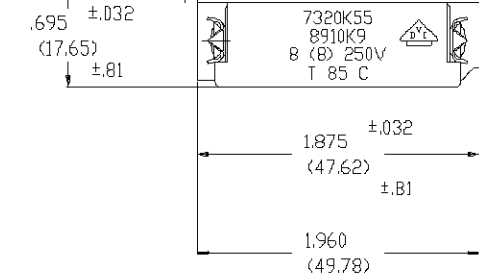
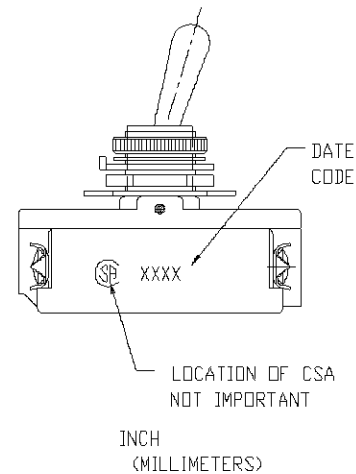
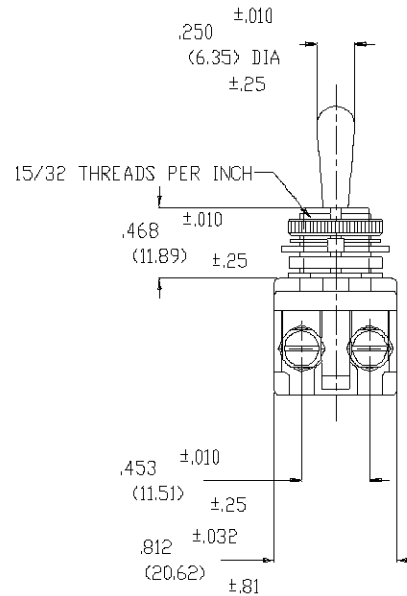
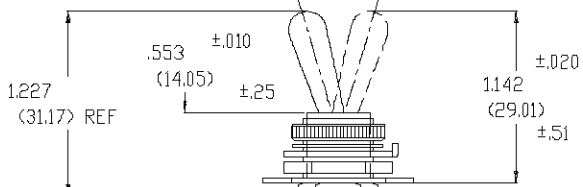
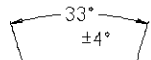
+0.003  
-0.000  
.068 WIDE X .039 ±.005 DEEP KEYWAY  
(1.70)



+0.020  
(7.62)  
±.51  
.300  
±.010  
.532  
(13.51)  
±.25

NOTES:

1. MOUNTING HARDWARE TO BE SHIPPED UNASSEMBLED.



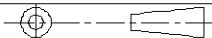
MAX OVER SPRUE

7320K55  
8910K9  
8 (8) 250V  
T 85 C

THIS DOCUMENT IS THE PROPERTY OF EATON CORP. IT'S CONTENTS ARE PROPRIETARY AND CONFIDENTIAL AND SHALL NOT BE DISCLOSED TO ANY UNAUTHORIZED PERSON, COPIED OR PUBLISHED WITHOUT EATON'S PRIOR WRITTEN CONSENT.

ORDER NO. 93719990

THIRD ANGLE PROJECTION



TITLE: DIM DWG DOUBLE INSULATED TOOL HANDLE SWITCH - 8910K9		SURFACE COATING	
DR.	2/22/96	SCALE	
DHK.		DO NOT SCALE DRAWING	
APP.		SUP'S	
		SUP'D BY	