

TO - 18 NPN SILICON PLANAR SWITCHING TRANSISTORS

Switching And Linear Application DC And VHF Amplifier Applications

ABSOLUTE MAXIMUM RATINGS

| DESCRIPTION | SYMBOL | 2N2222A | UNIT |
|--|----------|-------------|----------|
| Collector -Emitter Voltage | VCEO | 40 | V |
| Collector -Base Voltage | VCBO | 75 | V |
| Emitter -Base Voltage | VEBO | 6.0 | V |
| Collector Current Continuous | IC | 800 | mA |
| Power Dissipation @ Ta=25 degC | PD | 500 | mW |
| Derate Above 25deg C | | 2.28 | mW/deg C |
| @ Tc=25 degC | PD | 1.2 | W |
| Derate Above 25deg C | | 6.85 | mW/deg C |
| Operating And Storage Junction Temperature Range | Tj, Tstg | -65 to +200 | deg C |

ELECTRICAL CHARACTERISTICS (Ta=25 deg C Unless Otherwise Specified)

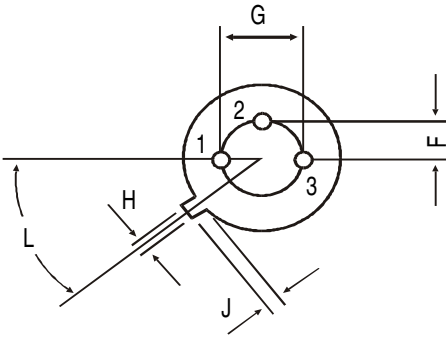
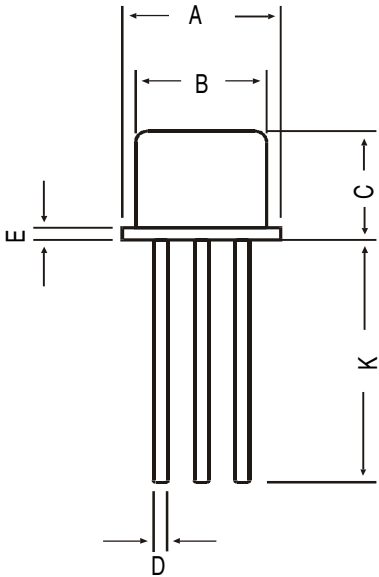
| DESCRIPTION | SYMBOL | TEST CONDITION | VALUE | | UNIT |
|--------------------------------------|------------|-------------------|-------|---------|------|
| | | | MIN | MAX | |
| Collector -Emitter Voltage | VCEO | IC=10mA, IB=0 | 40 | - | V |
| Collector -Base Voltage | VCBO | IC=10uA, IE=0 | 75 | - | V |
| Emitter-Base Voltage | VEBO | IE=10uA, IC=0 | 6.0 | - | V |
| Collector-Cut off Current | ICBO | VCB=60V, IE=0 | - | 10 | nA |
| | | Ta=150 deg C | | | |
| | | VCB=60V, IE=0 | - | 10 | uA |
| Emitter-Cut off Current | ICEX | VCE=60V, VEB=3V | - | 10 | nA |
| | IEBO | VEB=3V, IC=0 | - | 10 | nA |
| Base-Cut off Current | IBL | VCE=60V, VEB=3V | - | 20 | nA |
| Collector Emitter Saturation Voltage | VCE(Sat)* | IC=150mA, IB=15mA | - | 0.3 | V |
| | | IC=500mA, IB=50mA | | 1.0 | V |
| Base Emitter Saturation Voltage | VBE(Sat) * | IC=150mA, IB=15mA | - | 0.6-1.2 | V |
| | | IC=500mA, IB=50mA | - | 2.0 | V |

ELECTRICAL CHARACTERISTICS (Ta=25 deg C Unless Otherwise Specified)**2N2222A**

| DESCRIPTION | SYMBOL | TEST CONDITION | | UNIT | |
|---|---------|--|-------------------|---------|--|
| DC Current Gain | hFE | IC=0.1mA, VCE=10V | >35 | | |
| | | IC=1mA, VCE=10V | >50 | | |
| | | IC=10mA, VCE=10V | >75 | | |
| | | | Ta=55 deg C | | |
| | | | IC=10mA, VCE=10V | >35 | |
| | | | IC=150mA, VCE=10V | 100-300 | |
| | | | IC=150mA, VCE=1V | >50 | |
| | | IC=500mA, VCE=10V | >40 | | |
| <u>DYNAMIC CHARACTERISTICS</u> | | | | | |
| Small Signal Current Gain | hfe | ALL f=1kHz IC=1mA, VCE=10V | 50-300 | | |
| | | IC=10mA, VCE=10V | 75-375 | | |
| Input Impedance | hie | IC=1mA, VCE=10V | 2.0-8.0 | kohms | |
| | | IC=10mA, VCE=10V | 0.25-1.25 | | |
| Voltage Feedback Ratio | hre | IC=1mA, VCE=10V | <8.0 | x10-4 | |
| | | IC=10mA, VCE=10V | <4.0 | | |
| Out put Admittance | hoe | IC=1mA, VCE=10V | 5.0-35 | umhos | |
| | | IC=10mA, VCE=10V | 25-200 | | |
| Collector Base Time Constant | rb'Cc | IE=20mA, VCB=20V f=31.8MHz | <150 | ps | |
| Real Part Common-Emitter High Frequency Input Impedance | Re(hie) | IC=20mA, VCE=20V f=300MHz | <60 | ohms | |
| Noise Figure | NF | IC=100uA, VCE=10V Rs=1kohms, f=1kHz | - <4.0 | dB | |
| <u>DYNAMIC CHARACTERISTICS</u> | | | | | |
| Transistors Frequency | ft | IC=20mA, VCE=20V f=100MHz | >300 | MHz | |
| Out-Put Capacitance | Cob | VCB=10V, IE=0 f=100kHz | <8.0 | pF | |
| Input Capacitance | Cib | VEB=0.5V, IC=0 f=100kHz | <25 | pF | |
| SWITCHING Time | | | | | |
| Delay time | td | IC=150mA, IB1=15mA | <10 | ns | |
| Rise time | tr | VCC=30V, VBE=0.5V - | <25 | ns | |
| Storage time | ts | IC=150mA, IB1= | <225 | ns | |
| Fall time | tf | IB2=15mA, VCC=30V - | <60 | ns | |

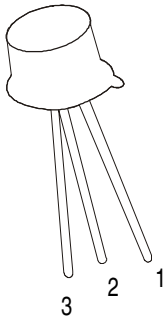
*Pulse Condition: Pulse Width=300us, Duty Cycle=2%

TO-18 Metal Can Package



All dimensions in mm.

| DIM | MIN | MAX |
|-----|--------|------|
| A | 5.24 | 5.84 |
| B | 4.52 | 4.97 |
| C | 4.31 | 5.33 |
| D | 0.40 | 0.53 |
| E | — | 0.76 |
| F | — | 1.27 |
| G | — | 2.97 |
| H | 0.91 | 1.17 |
| J | 0.71 | 1.21 |
| K | 12.70 | — |
| L | 45 DEG | |



PIN CONFIGURATION
 1. EMITTER
 2. BASE
 3. COLLECTOR

DISCLAIMER NOTICE

Rectron Inc reserves the right to make changes without notice to any product specification herein, to make corrections, modifications, enhancements or other changes. Rectron Inc or anyone on its behalf assumes no responsibility or liability for any errors or inaccuracies. Data sheet specifications and its information contained are intended to provide a product description only. "Typical" parameters which may be included on RECTRON data sheets and/ or specifications can and do vary in different applications and actual performance may vary over time. Rectron Inc does not assume any liability arising out of the application or use of any product or circuit.

Rectron products are not designed, intended or authorized for use in medical, life-saving implant or other applications intended for life-sustaining or other related applications where a failure or malfunction of component or circuitry may directly or indirectly cause injury or threaten a life without expressed written approval of Rectron Inc. Customers using or selling Rectron components for use in such applications do so at their own risk and shall agree to fully indemnify Rectron Inc and its subsidiaries harmless against all claims, damages and expenditures.