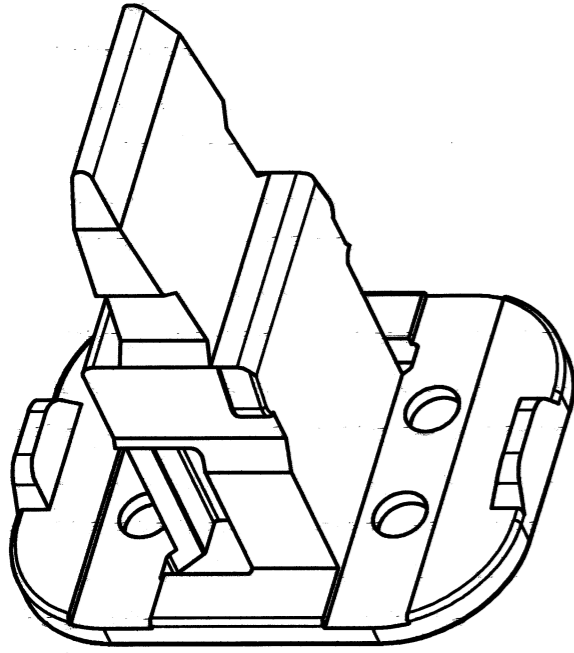
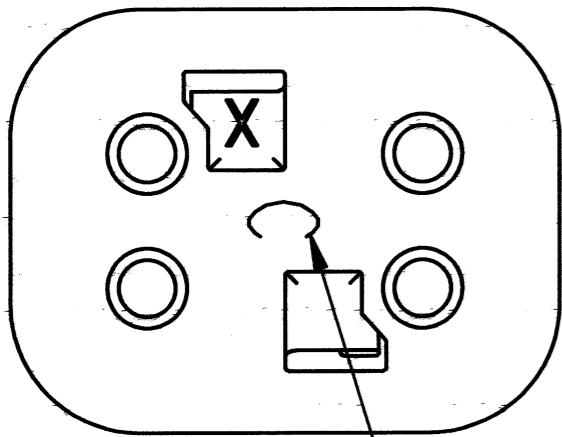
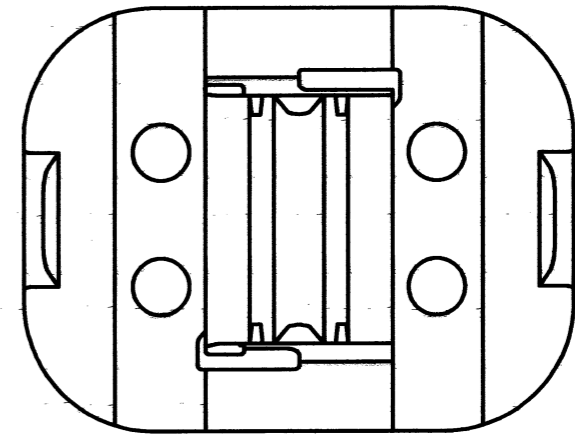
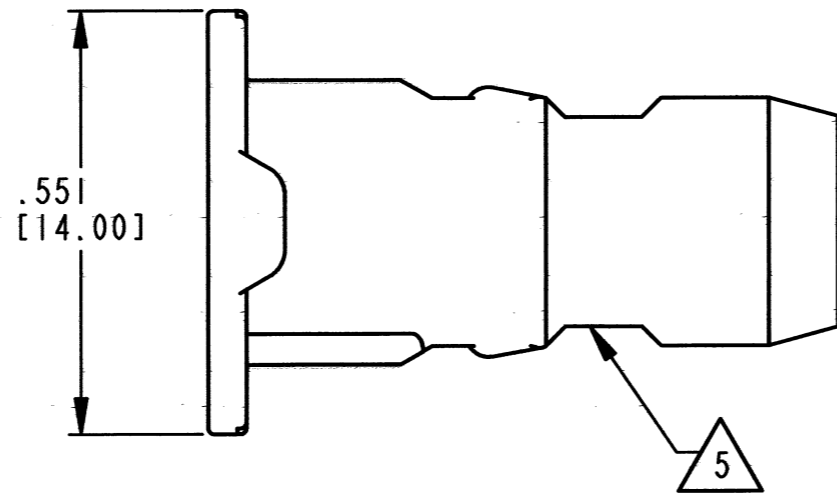
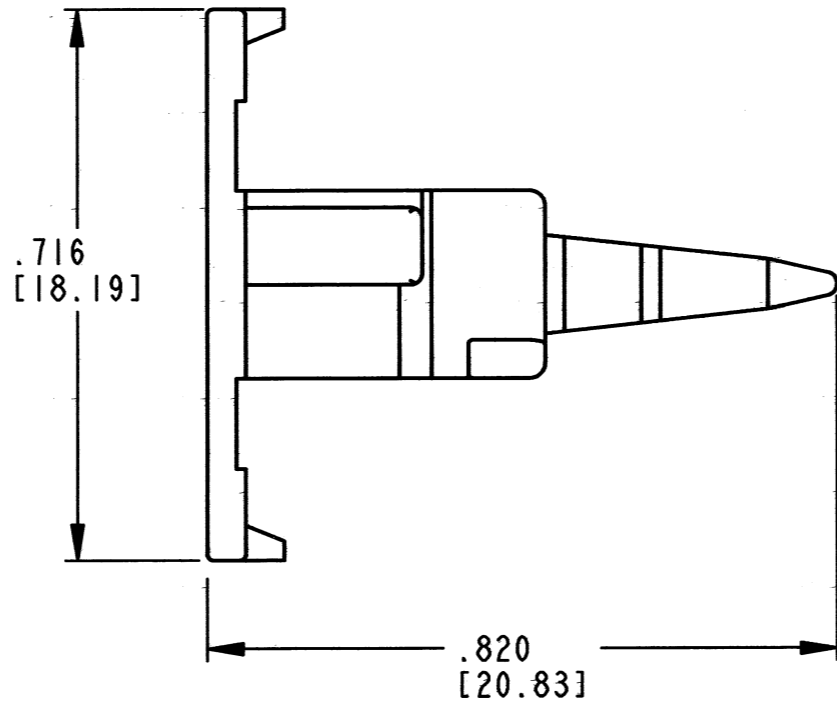


REV  
B  
**W4SC-P012**

REVISIONS			
SYM	DESCRIPTION	DATE	APPROVED
NC	NEW RELEASE PER E.O. P16277	9/8/99	R.D.R.
A	REVISED PER E.O. P17613	2/4/02	R.D.R.
B	REVISED PER E.O. P20857	4-4-11	RDR



**3D VIEW**



WEDGE KEY IDENTIFICATION

- 5. CUTOUT FEATURE OPTIONAL, 2 PLACES.
- 4. MATERIAL: PLASTIC; COLOR: GREEN.
- 3. THIS WEDGE LOCK IS UTILIZED BY DT06-4S-P012. WEDGE DESIGNED TO MATE WITH RECEPTACLE WEDGE W4PC.
- 2. DIMENSIONS ARE ±.025[0.63] UNLESS OTHERWISE SPECIFIED.

NOTES: 1. DIMENSIONS ARE IN INCHES [MILLIMETERS].

SIGNATURE & DATE	
DR	S. THEIS 8/27/99
CHK	<i>[Signature]</i> 4/4/2011
PE	<i>[Signature]</i> 3/21/11
APPD	<i>[Signature]</i>
SCALE	NONE WT

**WEDGE LOCK**  
-C- KEY POSITION  
P012 MOD  
COLOR: GREEN  
DT SERIES

**ENVELOPE**

EP	MATL. CODE
3850 INDUSTRIAL AVE. HEMET, CA 92545	
<b>B</b>	<b>W4SC-P012</b>
DWG SIZE	CODE SHEET   OF
11139	