

MICON 5 - Short-travel switch, SMT Standard

1.14.002.011/0000



Dimensions

| | |
|-------------------|---------|
| Length of housing | 6.4 mm |
| Width of housing | 5.1 mm |
| Overall height | 3.85 mm |

Mechanical design

| | |
|---------------------|---------------------|
| Mounting | soldering |
| Terminals | SMT |
| Contact system | snap-action contact |
| Contact arrangement | 1 NO |
| Contact materials | Au |
| Illumination | no |

Mechanical characteristics

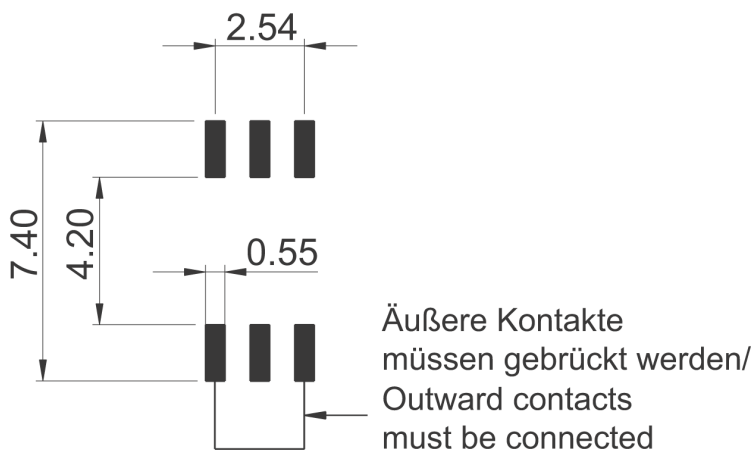
| | |
|--------------------------------------|--------|
| Operating force F1 ($\pm 20\%$) | 8.0 N |
| Switching travel S2 (± 0.15 mm) | 1.1 mm |

Electrical characteristics

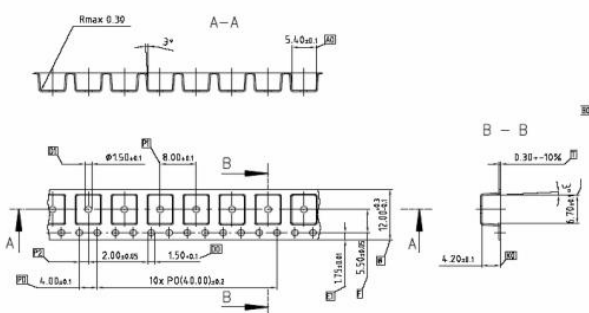
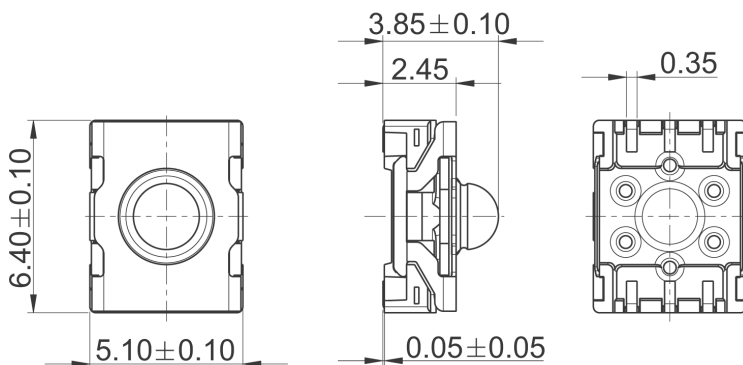
| | |
|-------------------------------|--------------------------|
| Rated voltage min. | 0.02 V |
| Rated voltage max. | 35 V |
| Rated current min. | 0.01 mA |
| Rated current max. | 100 mA |
| Rated power max. (ohmic load) | 1 W |
| Contact resistance when new | ? 100 m Ω |
| Rated voltage resistance AC | 250 V |
| Insulation resistance | 10 ⁹ Ω |

Other specifications

| | |
|--|------------------------------|
| Ambient temp. operating min. | -40 °C |
| Ambient temp. operating max. | +90 °C |
| Resistance to environment | IEC 60068-2 -14,-30,-33, -78 |
| Operating life (test force) | 250,000 (12 N) |
| Solder heat resistance / Solderability | DIN EN 60068-2-58 |
| Flammability of materials | UL 94 V1 |
| Packing | tape and reel à 2100 pieces |
| Produkt type | Y |
| ROHS compliant | yes |
| REACH compliant | yes |



SMT Standard





Schaltzeichen
nach IEC
617

