

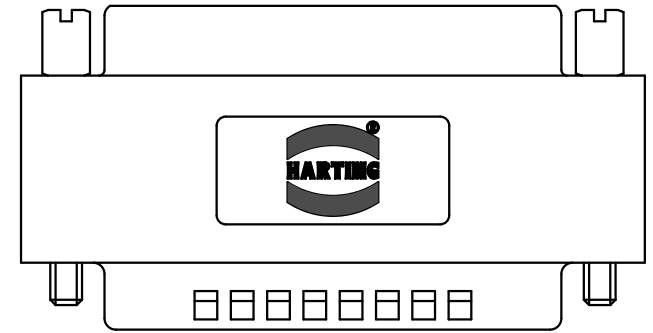
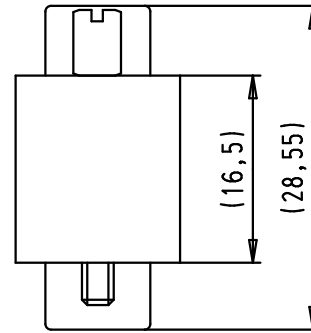
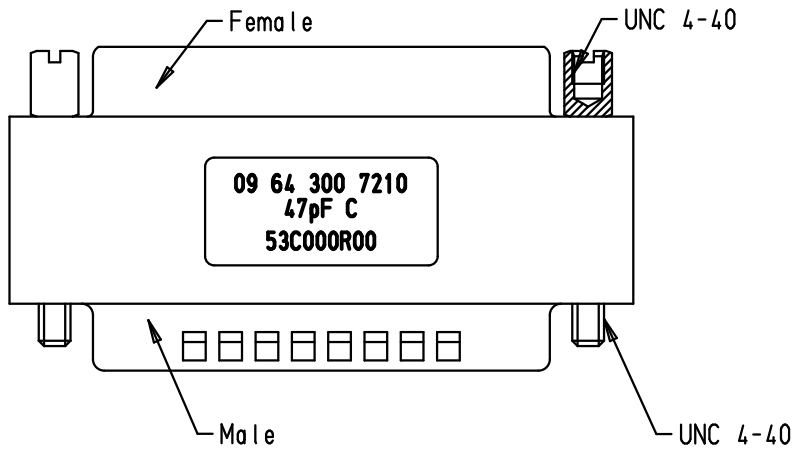
5

4

3

2

1

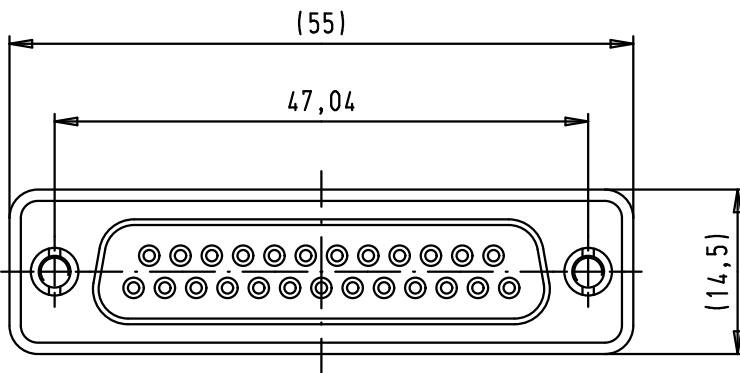


SPECIFICATIONS

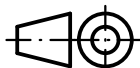

Filter type	C
Capacitance	47 pF±20%
Working voltage	100 V
Current rating	6,5 A

Minimum insertion loss

FREQUENCY (MHz)	ATTENUATION (dB)
5	-
10	-
50	-
100	-
500	30
1000	35



Note: Jack-screws are not pre-mounted to allow mounting from any ends

				Dot.	Name	 All Dim. in mm Orig. Size DIN A 4	Male / Female D-Sub filter adapter, 25 poles, 47 pF	Maßstab/ Scale
			Detail.	03/09/07	JS			1,5:1
			Insp.					
34901	01/04/08	BB	Stand.				TB 09 64 300 7210	Blatt/ Page
34894	12/03/08	PK						1 / 1
	03/09/07	JS						Sub.
Mod.	Dot.	Name	HARTING EURL F-95972 Paris					