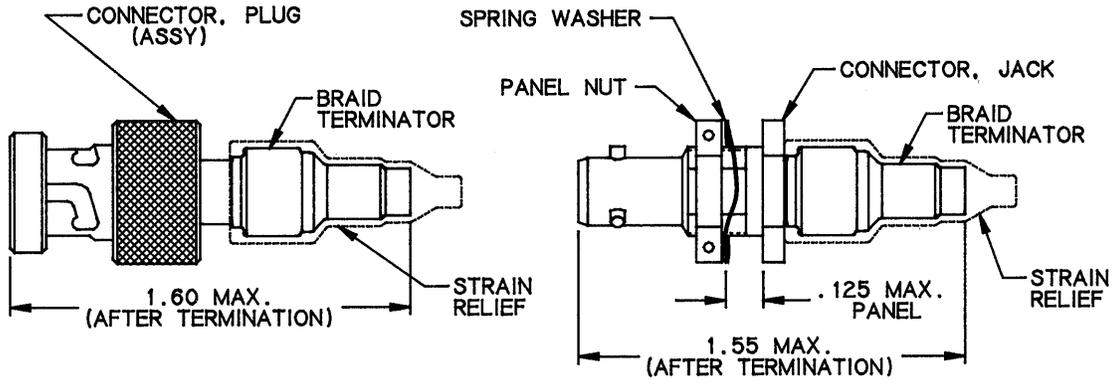


If this document is printed it becomes uncontrolled.
Check with the web for latest revision.

REVISIONS			
LTR	DESCRIPTION	DATE	APPROVED
NC	RELEASED PER E.C.N. T-9695	88-3-8	Z.E.T.
A	REVISED PER E.C.N. T-12027	89-4-12	326



PART No.	CONNECTOR	CONTACT	INTERFACE
DK-621-0045-3P	PLUG	PIN	C
DK-621-0045-3S	PLUG	SOCKET	C
DK-621-0046-3P	JACK	PIN	C
DK-621-0046-3S	JACK	SOCKET	C
DK-621-0047-2P	PLUG	PIN	B
DK-621-0047-2S	PLUG	SOCKET	B
DK-621-0048-2P	JACK	PIN	B
DK-621-0048-2S	JACK	SOCKET	B
DK-621-0049-1P	PLUG	PIN	A
DK-621-0049-1S	PLUG	SOCKET	A
DK-621-0050-1P	JACK	PIN	A
DK-621-0050-1S	JACK	SOCKET	A
DK-621-0051-1P	JACK	PIN	D
DK-621-0051-1S	JACK	SOCKET	D
DK-621-0052-1P	PLUG	PIN	D
DK-621-0052-1S	PLUG	SOCKET	D

SPECIFICATION CONTROL DRAWING © Raychem Corporation 1987

UNLESS OTHERWISE SPECIFIED DIMENSIONS ARE IN INCHES. METRIC DIMENSIONS ARE IN BRACKETS.	DRAWN	RDL	88-2-17	<i>Raychem</i>	RAYCHEM CORPORATION 300 CONSTITUTION DRIVE MENLO PARK, CALIFORNIA 94025		
	CHECKED				TITLE	KITS FOR D-621-0045/0052 TRIAxIAL CONNECTORS	
	APPROVED			APPROVED	Z.E.T.	88-3-8	
	DECIMALS .XXX ± NA [mm] .XX ± NA [mm]	CAD NAME 003277-1		THIRD ANGLE PROJECTION	SIZE	CODE IDENT. NO.	DWG. NO.
ANGLES .X ± NA	WEIGHT lbs [g]			A	06090	DK-621-0045/0052-XX	A
				DO NOT SCALE THIS DRAWING			SHEET 1 OF 2

1.0 REFER TO THE FOLLOWING RAYCHEM SPECIFICATION CONTROL DRAWINGS (SCD) FOR INDIVIDUAL COMPONENT PERFORMANCE PARAMETERS, DIMENSIONS AND MATERIAL DETAILS:

D-621-0045/0052 CONNECTOR, TRIAXIAL, SUBMINIATURE BAYONET COUPLED. (INCLUDES STRAIN RELIEF AND BRAID TERMINATOR)

D-602-0126 CONTACT, PIN, TWISTED PAIR
 D-602-0127 CONTACT, SOCKET, TWISTED PAIR

2.0 REFER TO RAYCHEM SPECIFICATION D-6025 FOR PERFORMANCE AND QUALIFICATION REQUIREMENTS.

3.0 TERMINATION PROCEDURE: RAYCHEM ES 61222

**If this document is printed it becomes uncontrolled.
 Check with the web for latest revision.**

CAD NAME 003277-2

DRAWN	RDL	88-2-20	SIZE A	CODE IDENT. NO. 06090	DWG. NO. DK-621-0045/0052-XX	REV A
ISSUED			DO NOT SCALE THIS DRAWING		SHEET 2 OF 2	