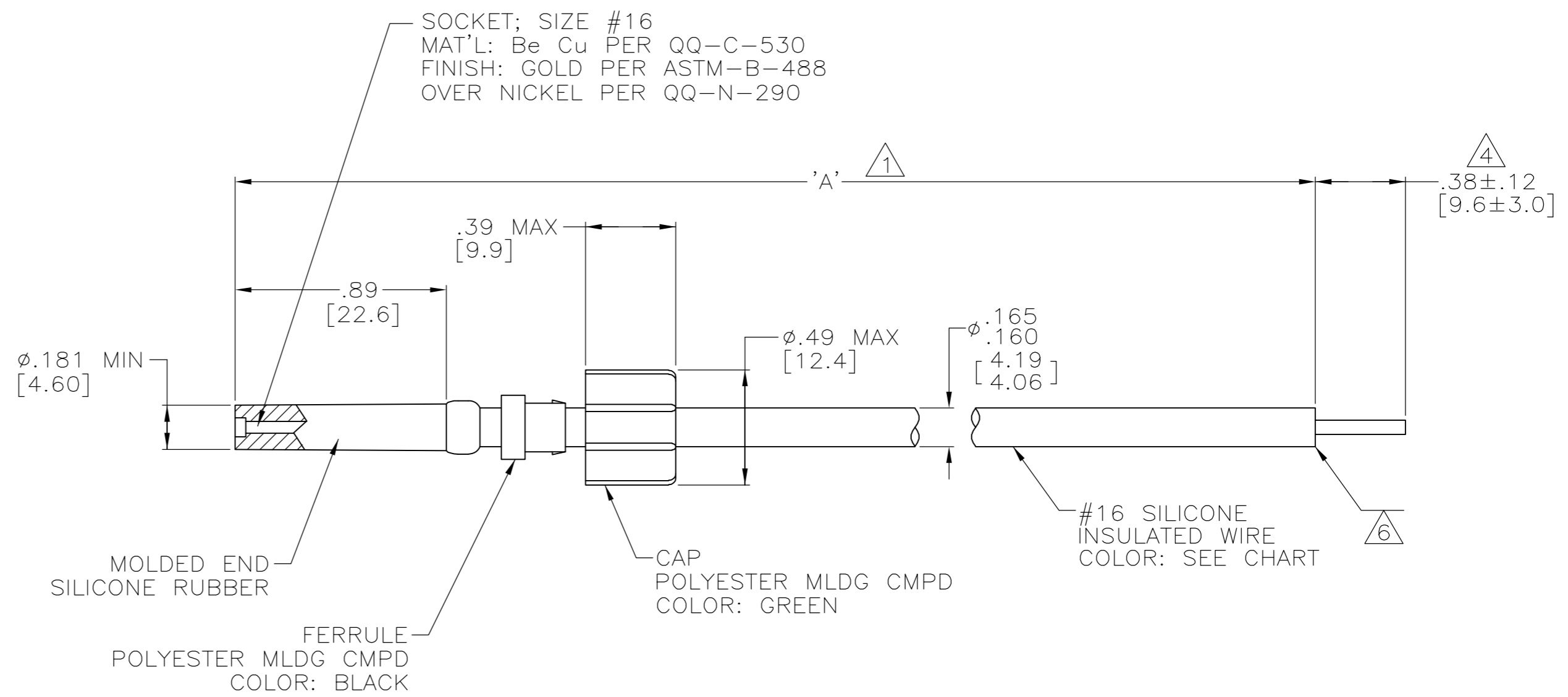


THIS DRAWING IS UNPUBLISHED. RELEASED FOR PUBLICATION - N/A .
 © COPYRIGHT N/A BY TYCO ELECTRONICS CORPORATION. ALL RIGHTS RESERVED.

LOC	DIST	REVISIONS					
DF	SO	P	LTR	DESCRIPTION	DATE	DWN	APVD
		Z		REV PER ECO-05-002582	06-05	AA	DE

PART NO.	'A' ¹	LEAD COLOR	REMARKS
862547-1	6.00 [152.4]	WHITE	⁴
862547-2	8.00 [203.2]		⁴
862547-3	10.00 [254.0]		⁴
862547-4	12.00 [304.8]		⁴
862547-5	15.00 [381.0]		⁴
862547-6	18.00 [457.2]		⁴
862547-7	21.00 [533.4]		OBSOLETE
862547-8	24.00 [609.6]		⁴
862547-9	36.00 [914.4]		⁴
1-862547-0	19.00 [482.6]		OBSOLETE
1-862547-1	20.00 [508.0]		OBSOLETE
1-862547-2	9.00 [228.6]		⁴
1-862547-3	40.00 [1016.0]		OBSOLETE
1-862547-4	600.00 [15240.0]		OBSOLETE
1-862547-5	11.25 [285.8]		OBSOLETE
1-862547-6	30.00 [762.0]		OBSOLETE
1-862547-7	60.00 [1524.0]		OBSOLETE
1-862547-8	14.50 [368.3]		OBSOLETE
1-862547-9	48.00 [1219.2]		⁴
2-862547-0	72.00 [1828.8]		⁴
2-862547-1	180.00 [4572.0]		OBSOLETE
2-862547-2	22.00 [558.8]		OBSOLETE
2-862547-3	23.00 [584.2]		OBSOLETE
2-862547-4	26.00 [660.4]		OBSOLETE
2-862547-5	240.00 [6096.0]		⁴
2-862547-6	16.50 [419.1]		OBSOLETE
2-862547-7	33.00 [838.2]		⁴
2-862547-8	96.00 [2438.4]		⁴
2-862547-9	144.00 [3657.6]	WHITE	⁴
3-862547-0	40.00 [1016.0]	BLUE	⁴
5-862547-2	8.00 [203.2]	WHITE	⁶
5-862547-4	12.00 [304.8]		⁶
5-862547-6	18.00 [457.2]		⁶
6-862547-2	9.00 [228.6]		⁶
6-862547-9	48.00 [1219.2]		⁶
7-862547-7	33.00 [838.2]	WHITE	⁶

- ¹ TOLERANCE OF LEAD LENGTH:
UP TO 24 INCHES [609.6] = ±.12 [±3.0]
24 INCHES [609.6] & UP = 1%
- 2. MARKED PER MIL-STD-130.
- 3. TO MATE WITH AMP LGH-1/2L RECEPTACLE WITH .89 [22.6] BARREL DEPTH.
- ⁴ PIGTAIL IS SOLDER DIPPED.
- 5. OPERATING VOLTAGE: 15 KVDC AT 0 TO 70,000 FEET, -55°C TO 125°C.
- ⁶ INSULATION CUT TO LENGTH, BUT NOT REMOVED.



THIS DRAWING IS A CONTROLLED DOCUMENT.		DWN C.C.THOMAS 13-MAR-90	 Tyco Electronics Corporation Harrisburg, Pa 17105-3608
DIMENSIONS: INCHES		CHK D. EABY 13-MAR-90	
TOLERANCES UNLESS OTHERWISE SPECIFIED:		APVD D. EABY 13-MAR-90	NAME D. EABY
0 PLC ± - 1 PLC ± - 2 PLC ± .02 [0.5] 3 PLC ± - 4 PLC ± - ANGLES ± -		PRODUCT SPEC	LEAD ASSEMBLY, POS STOP SGL END, LGH-1/2L
MATERIAL SEE CALLOUTS		FINISH SEE CALLOUTS	APPLICATION SPEC
		WEIGHT	SIZE A2
		CUSTOMER DRAWING	CAGE CODE 00779
		SCALE 2:1	DRAWING NO C=862547
		SHEET 1 OF 1	RESTRICTED TO
		REV Z	