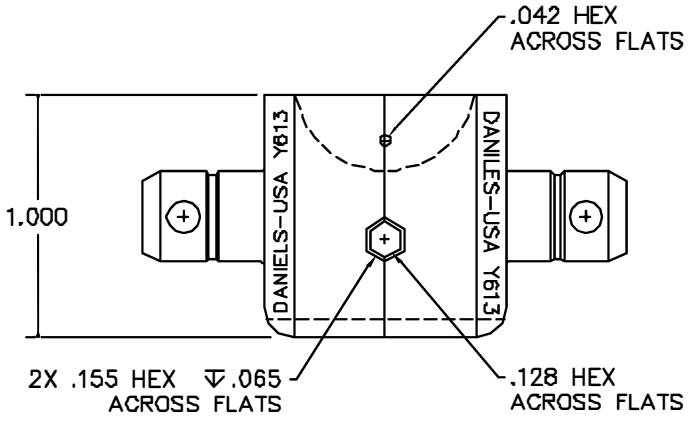
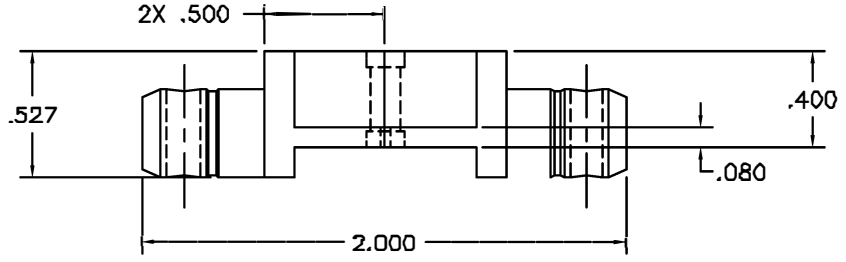



REVISIONS				
REV. SYM.	E.C.O. NUMBER	DESCRIPTION	BY DATE	APP'D DATE
1		ORIGINAL RELEASE	DH 4/18/89	JS 4/89



**UNCONTROLLED DOCUMENT  
WILL NOT BE UPDATED**

1. FUNCTIONAL EQUIVALENT TO KINGS KTH2081.

NOTES:

<b>RESTRICTED &amp; CONFIDENTIAL</b> CONFIDENTIAL PROPERTY OF DANIELS MANUFACTURING CORP. NOT TO BE DISCLOSED TO OTHERS. REPRODUCED OR USED FOR ANY OTHER PURPOSE EXCEPT AS AUTHORIZED IN WRITING BY DANIELS MANUFACTURING. MUST BE RETURNED TO DANIELS MANUFACTURING CORP. ON COMPLETION OF ORDER OR OTHER PURPOSE FOR WHICH LENT.		MATERIAL	ITEM	PART NO.	QTY.	DESCRIPTION/REMARKS			
DO NOT SCALE DRAWING		HEAT TREAT	DRN	DH	DATE	 DANIELS MANUFACTURING CORP. ORLANDO, FLORIDA PAGE 11851			
			CHK'D	WJP	DATE				
			APPL	WJP	DATE				
			APPL	AAM	DATE				
		FINISH	TITLE <b>DIE SET ENVELOPE DRAWING</b>						
		WHERE USED:			SIZE	SCALE	DWG P/N	SHEET	OF
					B	2X	Y613-ENV	1	1
					POSTING		P/N		REV.
							Y613-ENV		1