

Part number description :

10134329-XXXLF

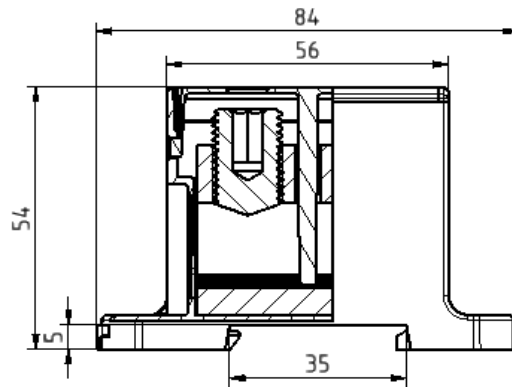
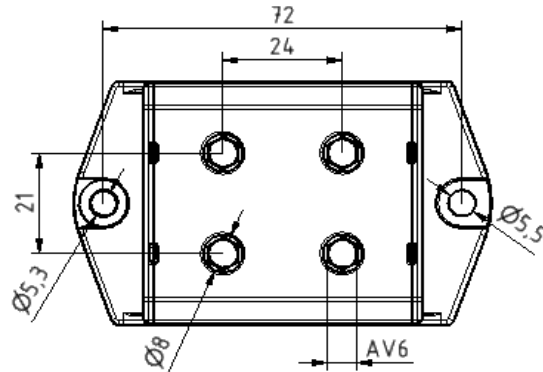
LF: Lead Free, RoHs compliant, see note

XXX : Color ref or/and version

PN	Colour	Version
10134329-001LF	grey	(A) multiple
10134329-002LF	blue	(A) multiple
10134329-003LF	yellow-green	(A) multiple

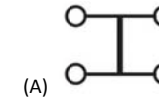
TECHNICAL DATA / DIMENSIONS

Dimensions	
Width mm	51.0
Length mm	84.0
Height mm	48.5
Mounting type (EN 60715)	Omega TH35
Panel mounting	M5 screw
Technical data	
Maximum load current	Cu 560A Al 500A
Insulating material	PA
Self-extinguishing degree acc. to UL94	V2
Nominal Voltage	690V
Nominal Current	560A
Connection data	
Conductor cross-section solid min/max	16 / 120 mm ²
Stripping length	max 20 mm
Screw – recessed Allen screw	M14 – SW6
Tightening torque: 16-35 mm ²	12 Nm
Tightening torque: 50-120 mm ²	25 Nm



APPROVALS

EN60947-7-1
690V – Cu 560A / Al 500A



Note : THIS PRODUCT MEETS EUROPEAN UNION DIRECTIVES AND OTHER COUNTRY REGULATIONS AS PER GS-47-0004

ACCESSORIES

Item	Description
DIN RAIL system - Mounting and Installation material	
10134392-001LF	Steel Omega Rail TH35x7,5mm -2mt length
10134393-001LF	Slotted Steel Omega Rail TH35x7,5mm -2mt length
10134394-001LF	Steel Omega Rail TH35x15mm -2mt length
10134395-001LF	Slotted Steel Omega Rail TH35x15mm -2mt length
10134387-001LF	Angled support bracket
10134389-001LF	End Bracket for TH35 Omega rail -Width 9mm
10134390-001LF	End Bracket for TH35 Omega rail -Width 6mm

spec ref	tolerance std	ISO 406 ISO 1101	TOLERANCES UNLESS OTHERWISE SPECIFIED	dr	Aymeric Soudy	29-06-2015	projection	MM	size	A3	scale	size out of scale
surface	linear	0.X ± 0.3 0.XX ± 0.1 0.XXX ± 0.05	angular	0° ± 2°	eng	Aymeric Soudy	29-06-2015	product family	DIN Terminal Block	ecn no	rel level	
ISO 1302				appr	Aymeric Soudy	29-06-2015	title	SCREW Terminal block Higt current 120 - Multiple	dwg no	10134329	rev	A
				www.fcicon	cat. no.							Product customer drawing
												sheet 1 of 1



Copyright FCI.