

Part number description :

10134329-XXXLF

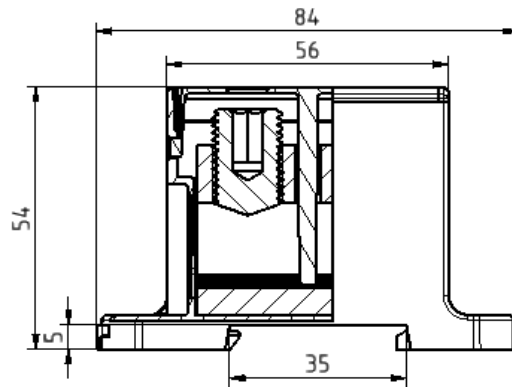
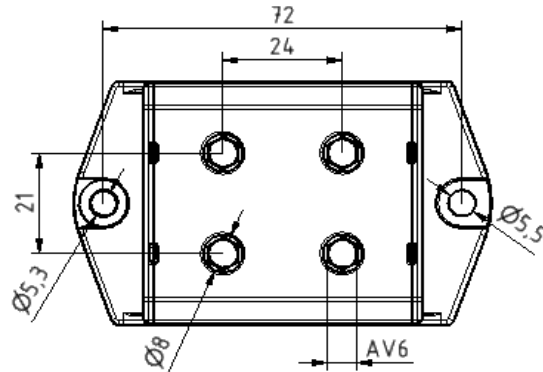
LF: Lead Free, RoHs compliant, see note

XXX : Color ref or/and version

| PN | Colour | Version |
|----------------|--------------|--------------|
| 10134329-001LF | grey | (A) multiple |
| 10134329-002LF | blue | (A) multiple |
| 10134329-003LF | yellow-green | (A) multiple |
| | | |

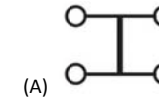
TECHNICAL DATA / DIMENSIONS

| Dimensions | |
|-------------------------------------------|--------------------------|
| Width mm | 51.0 |
| Length mm | 84.0 |
| Height mm | 48.5 |
| Mounting type (EN 60715) | Omega TH35 |
| Panel mounting | M5 screw |
| Technical data | |
| Maximum load current | Cu 560A Al 500A |
| Insulating material | PA |
| Self-extinguishing degree acc. to UL94 | V2 |
| Nominal Voltage | 690V |
| Nominal Current | 560A |
| Connection data | |
| Conductor cross-section solid min/max | 16 / 120 mm ² |
| Stripping length | max 20 mm |
| Screw – recessed Allen screw | M14 – SW6 |
| Tightening torque: 16-35 mm ² | 12 Nm |
| Tightening torque: 50-120 mm ² | 25 Nm |



APPROVALS

EN60947-7-1
690V – Cu 560A / Al 500A



Note : THIS PRODUCT MEETS EUROPEAN UNION DIRECTIVES AND OTHER COUNTRY REGULATIONS AS PER GS-47-0004

ACCESSORIES

| Item | Description |
|-------------------------------------------------------------|-------------------------------------------------|
| DIN RAIL system - Mounting and Installation material | |
| 10134392-001LF | Steel Omega Rail TH35x7,5mm -2mt length |
| 10134393-001LF | Slotted Steel Omega Rail TH35x7,5mm -2mt length |
| 10134394-001LF | Steel Omega Rail TH35x15mm -2mt length |
| 10134395-001LF | Slotted Steel Omega Rail TH35x15mm -2mt length |
| 10134387-001LF | Angled support bracket |
| 10134389-001LF | End Bracket for TH35 Omega rail -Width 9mm |
| 10134390-001LF | End Bracket for TH35 Omega rail -Width 6mm |

| | | | | | | | | | | | | | | | |
|----------|---------------|---------------------|---------------------------------------|------|---------------|------------|-----------------------------------------------------|--------------------|-----------|----------|------------|-------------------|---|--------------------------|--------------|
| spec ref | tolerance std | ISO 406 ISO 1101 | TOLERANCES UNLESS OTHERWISE SPECIFIED | dr | Aymeric Soudy | 29-06-2015 | projection | MM | size | A3 | scale | size out of scale | | | |
| surface | linear | 0.X | ± 0.3 | 0.XX | ± 0.1 | 0.XXX | ± 0.05 | angular | 0° | ± 2° | www.fcicon | cat. no. | - | Product customer drawing | sheet 1 of 1 |
| | | | | eng | Aymeric Soudy | 29-06-2015 | product family | DIN Terminal Block | rel level | | | | | | |
| | | | | chr | | | SCREW Terminal block Higt current 120 - Multiple | | dwg no | 10134329 | rev | A | | | |
| | | | | appr | Aymeric Soudy | 29-06-2015 | | | | | | | | | |