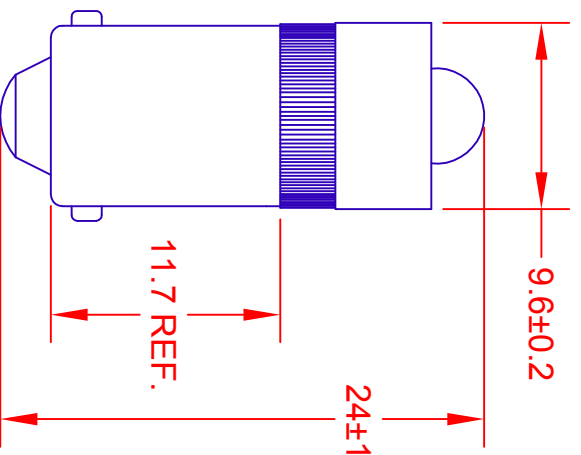


REV.	DESCRIPTION/REV. NO.	DATE
RELEASED		1/20/16



FEATURES

Non-Polarized
24V AC or DC Operation

ELECTRICAL OPTICAL CHARACTERISTICS

JKL PART NUMBER	COLOR	AC/DC VOLTS	AMPS (mA)	LUMENS	50% POWER ANGLE (deg.)
LE-BA9S-24W	COOL WHITE	24-28	20 MAX.	4.5	30
LE-BA9S-24R	RED	24-28	20 MAX.	2.0	30
LE-BA9S-24G	GREEN	24-28	20 MAX.	3.0	30
LE-BA9S-24Y	YELLOW	24-28	20 MAX.	1.5	30

METRIC THIRD ANGLE PROJECTION	DIMENSIONS ARE IN MILLIMETERS		JKL COMPONENTS CORPORATION TITLE 24V T-3 1/4 BAYONET BASED LED
	TOLERANCE UNLESS OTHERWISE SPECIFIED 1 PL +/- 0.2 2 PL +/- 0.20 ANGLE +/- 0		
DRAWN BY L. WENGSTROM	APP'VD BY L.R.	DATE 1/20/16	SIZE A
- CAD DRAWING - MANUAL REVISIONS NOT PERMITTED			FSCM NO. 55335
RELEASED DATE 1/20/16		DRAWING NO.	DRAWING NO. LE-BA9S-24 MULTI
REV. NO.		REV. NO.	SHEET 1 OF 1