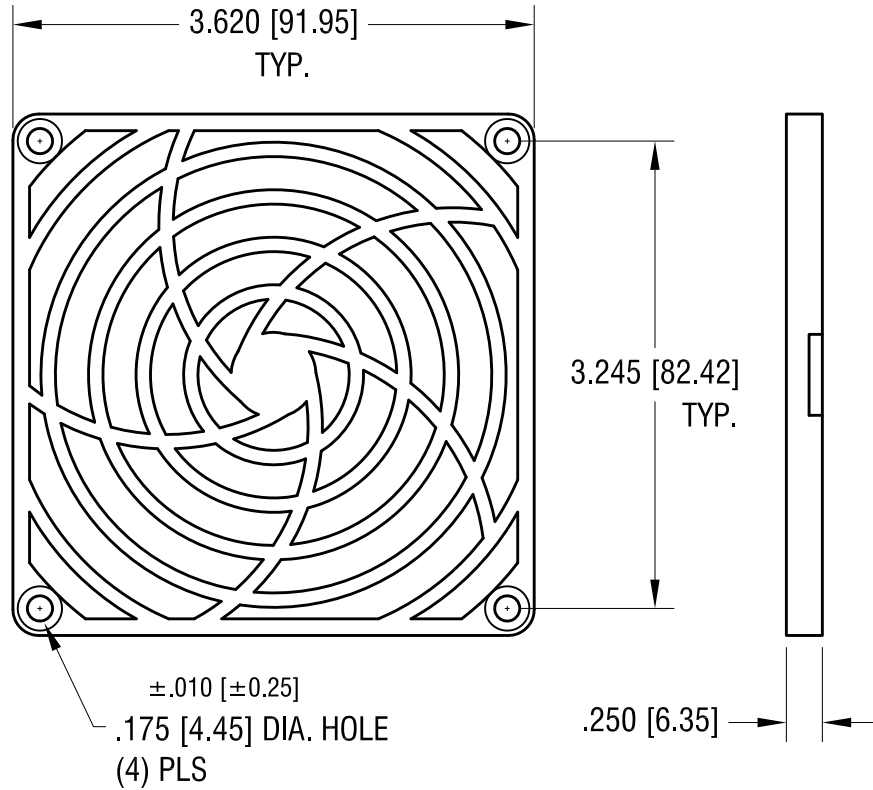


THIS DOCUMENT IS THE PROPERTY OF
KEYSTONE ELECTRONICS CORP. AND
SHALL NOT BE REPRODUCED, DISTRIBUTED
OR USED AS A BASIS FOR MANUFACTURE
WITHOUT PRIOR WRITTEN PERMISSION
FROM KEYSTONE ELECTRONICS CORP.



7.31.00	CHANGE AS PER ECN 00-072	A
DATE	DESCRIPTION	REV.

KEYSTONE ELECTRONICS CORP.			
www.keyelco.com • ASTORIA, N.Y. 11105-2017 • Tel (718) 956-8900			
PART NAME		STANDARD FAN GUARD	
MATERIAL		ABS UL 94V-0	
FINISH	-	DRN BY BOONE	DATE 10.17.97
		APP'D LN	SCALE .75X
TOLERANCES	INCH [MM]	CODE	DWG NO.
DECIMAL	$\pm .020$ [± 0.50]	C	8462
ANGULAR	$\pm 1^\circ$		
UNLESS OTHERWISE SPECIFIED			