

# Features

# Regulated Converters

- 30mW max. No Load Power Consumption
- High Efficiency up to 80%
- Isolated Output 3kVAC / 1 min
- SCP, OVP Protection
- Wide Operating Temperature Range:  
-40°C to +85°C
- Universal Input 85-305VAC

**RECOM**  
AC/DC Converter

## RAC03-SE/277

**3 Watt  
Single  
Output**



### Description

The ultra-compact RAC03-SE/277 modules are available with output voltages of 3.3, 5, 12 and 24V, and the input-to-output isolation is approximately 3kVAC/1min. With a standby consumption of 30mW maximum, the mini power supplies are particularly suitable for energy-saving sleep mode and standby applications. Because of its compact design (height <17.4 mm), it is a versatile solution for home automation and other similar applications. Complete with an integrated input filter, the series has enhanced EMI performance and complies with EN55022, class B. The mini power supplies are also protected against short circuit with fully automatic restart after the error has been solved. The converters are EN/UL60950-1 certified and come complete with a 3 year warranty.

### Selection Guide

Part Number	Input Voltage Range (VAC)	Output Voltage (VDC)	Output Current (mA)	Efficiency typ. (%)	Max. Capacitive Load (µF)
RAC03-3.3SE/277	85-305	3.3	900	71	22000
RAC03-05SE/277	85-305	5.0	600	76	7500
RAC03-12SE/277	85-305	12	250	78	1000
RAC03-24SE/277	85-305	24	125	80	200



### Specifications (measured at TA= 25°C, nominal input voltage, full load and after warm-up)

BASIC CHARACTERISTICS				
Parameter	Condition	Min.	Typ.	Max.
Input Voltage Range		85VAC 120VDC		305VAC 430VDC
Input Current	full load, 115VAC full load, 230VAC		70mA 45mA	
absolute max. Input Current	cold start at 25°C, 115VAC cold start at 25°C, 230VAC			15A 30A
No load Power Consumption	85-305VAC, 47-440Hz			30mW
Input Frequency	AC Input	47Hz		440Hz
Leakage Current	240VAC			10µA
Hold-up time	full load, 115VAC full load, 230VAC		15ms 80ms	
Operating Frequency	100% load at nominal Vin		45kHz	
Efficiency				see Selection Guide
Minimum Load			2% typ.	
Output Ripple and Noise <sup>(1)</sup>			200mVp-p	

#### Notes:

Note1: Ripple and Noise is the maximum peak-to-peak voltage value measured at the output with a 20MHz bandwidth, at rated line voltage at full load. And with a 47µF low-ESR electrolytic capacitor in parallel with a 0.1µF ceramic capacitor across output.



**UL**  
E224736

Any data referred to in this datasheet are of indicative nature and based on our practical experience only. For further details, please refer to Application Notes

**Refer to Applications Notes**

Specifications (measured at  $T_A = 25^\circ\text{C}$ , nominal input voltage, full load and after warm-up)

REGULATIONS		
Parameter	Condition	Value
Output Voltage Tolerance <sup>(2)</sup>		±6% max.
Line Voltage Regulation	low line to high line, full load	±1% min. / ±1.5% typ.
Load Voltage Regulation	10% to 100% load	±6% max.

**Notes:**  
 Note2: Includes initial voltage accuracy, thermal drift, line regulation and load regulation at rated input voltage and load conditions.

PROTECTIONS		
Parameter	Type	Value
Short Circuit Protection (SCP)		continuous, automatic recovery
Over Voltage Protection (OVP)	Zener Diode clamp	112% - 140%
Over Current Limit		120% - 190%
Isolation Voltage		3kVAC / 1 Minute
Isolation Resistance		1GΩ min.

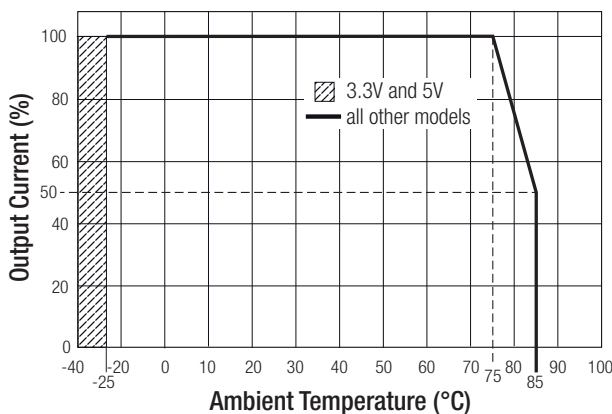
ENVIRONMENTAL		
Parameter	Condition	Value
Operating Temperature Range	230VAC, natural convection and with derating	-40°C to +85°C
Storage Temperature Range		-40°C to +85°C
Humidity	non-condensing	95%, RH max.
MTBF <sup>(3)</sup>	MIL-HDBK-217F, 115VAC, +25°C MIL-HDBK-217F, 230VAC, +25°C	6506 x 10 <sup>6</sup> hours 1816 x 10 <sup>6</sup> hours

**Notes:**

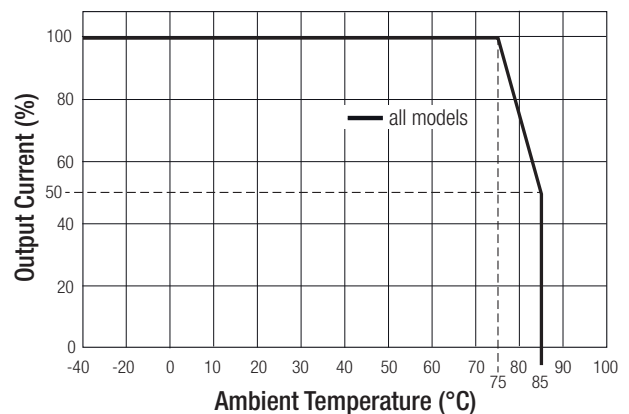
Note3: MTBF is referring RAC03-3.3SE/277

**Derating Graph**

**@ 115VAC**



**@ 230VAC**



Specifications (measured at  $T_A=25^\circ\text{C}$ , nominal input voltage, full load and after warm-up)

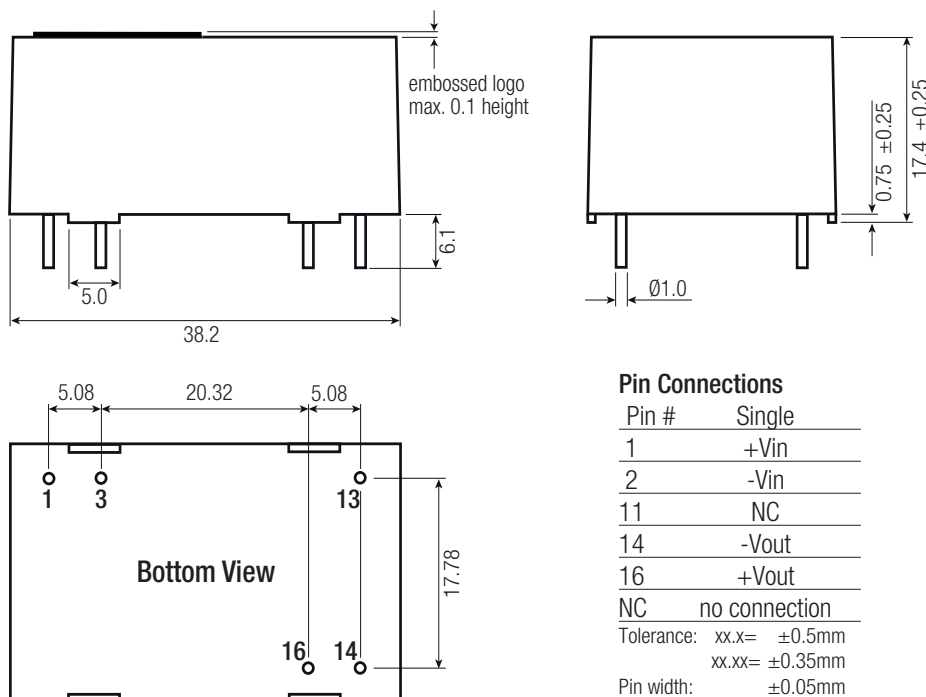
### SAFETY AND CERTIFICATIONS

Certificate Type	Report / File Number	Standard
EN General Safety	SPCLVD1208051	EN-60950-1, 2nd Edition
UL General Safety	E224736	UL-60950-1, 2nd Edition
Certificate Type (Environmental)	Report / File Number	Standard / Criterion
ESD		EN61000-4-2, Criteria B
Radiated Immunity		EN61000-4-3, Criteria A
Fast Transient		EN61000-4-4, Criteria B
Surge		EN61000-4-5, Criteria B
Conducted Immunity		EN61000-4-6, Criteria A
Voltage dips and variations		EN61000-4-8, Criteria A
Voltage flicker		EN-61000-3-3
EMI Standard	Report: 1502CE17	EN55022, Class B EN55024
Vibration		MIL-STD-202G

### DIMENSIONS and PHYSICAL CHARACTERISTICS

Parameter	Type	Value
Material	Case Potting	UL94V-0, black plastic UL94V-0, Silicone
Dimensions (LxWxH)		38.2 x 24.3 x 17.4mm
Weight		28g typ.
Packaging Dimensions (LxWxH)	Tube	520 x 32 x 27mm
Packaging Quantity		12 pcs.

#### Mechanical Dimensions (mm)



#### Pin Connections

Pin #	Single
1	+Vin
2	-Vin
11	NC
14	-Vout
16	+Vout
NC	no connection
Tolerance: xx.x= ±0.5mm	
xx.xx= ±0.35mm	
Pin width: ±0.05mm	

The product information and specifications are subject to change without prior notice. All products are designed for non-safety critical commercial and industrial applications. The buyer agrees to implement safeguards that anticipate the consequences of any failures that might cause harm, loss of life and/or property damage.