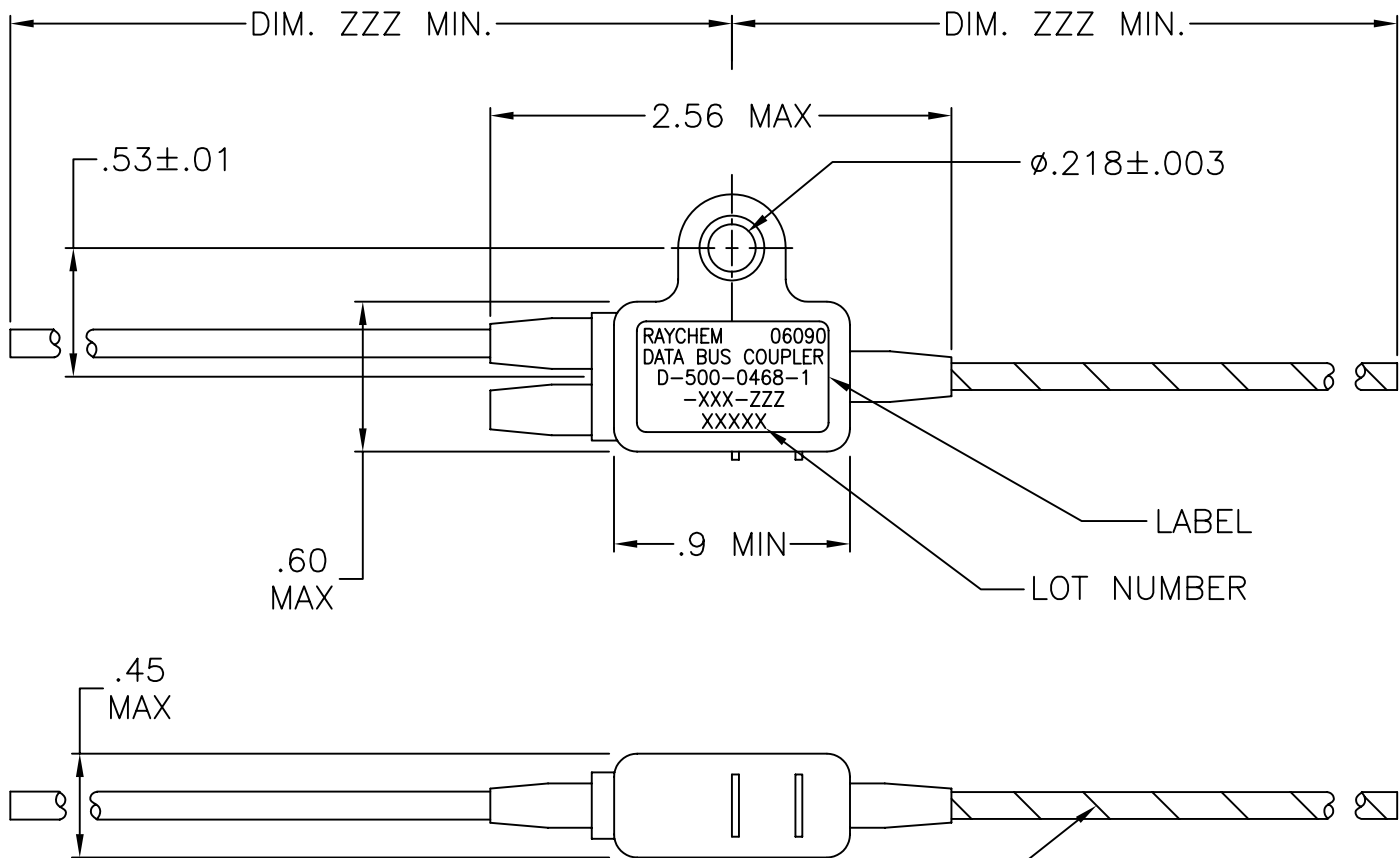


REVISION		
REV	DESCRIPTION	DATE
B	REVISED DCR PER DCR NO. C050211	3/24/05



PART NO. D-500-0468-1-XXX-ZZZ

1=SINGLE STUB

LENGTH OF CABLE IN INCHES

CABLE

- 612=10612 (SINGLE OPTIMIZED BRAID)
- 613=10613 (DOUBLE OPTIMIZED BRAID)
- 614=10614 (EMP HARDENED)

If this document is printed it becomes uncontrolled.  
Check for the latest revision.

**SPECIFICATION CONTROL DRAWING**  
© 2005 Tyco Electronics Corporation. All Rights Reserved.

UNLESS OTHERWISE SPECIFIED  
DIMENSIONS ARE INCHES. METRIC  
DIMENSIONS ARE IN BRACKETS.

DRAWN  
T RATZLAFF  
DATE  
17JUL2003



TYCO ELECTRONICS  
300 CONSTITUTION DRIVE  
MENLO PARK, CA 94025

**Raychem**

DECIMAL TOLERANCES  
.XXX ± 0.005 [ 0.13 mm]  
.XX ± 0.010 [ 0.25 mm]  
.X ± 0.020 [ 0.50 mm]

ANGLE TOLERANCE  
.X ± 0.5 DEG.

WEIGHT  
SEE NOTES

MATERIAL  
FINISH

TITLE  
DATABUS COUPLER, SINGLE STUB,  
REVERSE, WITH INTERNAL TERMINATOR  
AND MOUNTING LUG

THIRD ANGLE  
PROJECTION

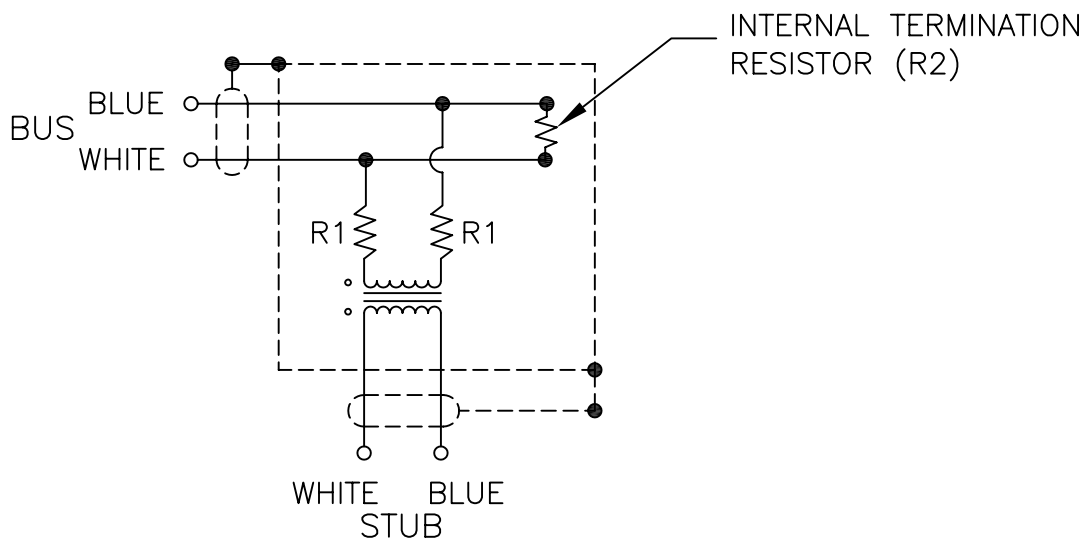
SIZE  
A  
CAGE CODE  
06090  
DWG. NO.  
D-500-0468-1-XXX-ZZZ

CAD FILE  
C050211A

DO NOT SCALE THIS DRAWING SHEET 1 OF 2

1. MATERIAL AND FINISHES:
  - 1.1 INTERNAL COMPONENTS:
    - 1.1.1 -TRANSFORMER TO MIL-PRF-21038 AND MIL-STD-1553B
    - 1.1.2 -RESISTORS, ISOLATION PER MIL-PRF-39007/9, 57.6 OHMS (R1)
    - 1.1.3 -RESISTOR, TERMINATION PER MIL-PRF-39007/9, 76.8 OHMS (R2)
  - 1.2 SHIELDED CASE: ALUMINUM PER ASTM-B618
  - 1.3 SEALED STRAIN RELIEF COVER: MODIFIED CROSS-LINKED ELASTOMER, BLACK, TO RAYCHEM SPECIFICATION RK-6713.
  - 1.4 CABLE TYPE PER RAYCHEM SPECIFICATION 1200 (SEE PART NO. ON SHEET 1).
  
2. APPLICATION:
  - 2.1 THIS COUPLER IS DESIGNED TO BE INSTALLED AS A DIGITAL MULTIPLEX ASSEMBLY MEETING THE REQUIREMENTS OF MIL-STD-1553B.
  - 2.2 FOR CABLE SPLICING USE FLEXIBLE SPLICE KIT D-150-0708-5 (NOT SUPPLIED).
  - 2.3 CABLE BEND RADIUS PER SAE-AS50881 STATIC BEND: 5 x CABLE O.D. MIN., DYNAMIC BEND: 10 x CABLE O.D. MIN.
  
3. TEMPERATURE:
  - 3.1 OPERATING TEMPERATURE: -65°C TO +150°C
  
4. PERFORMANCE SPECIFICATIONS:
  - 4.1 TRANSFORMER MEETS THE PERFORMANCE REQUIREMENTS OF MIL-STD-1553B.
  - 4.2 COUPLER MEETS THE PERFORMANCE REQUIREMENTS OF RAYCHEM SPECIFICATION D-6020.
  
5. WEIGHT:
  - 5.1 MAXIMUM WEIGHT WITHOUT CABLE: 18 GRAMS, MAX.

SINGLE STUB COUPLER SCHEMATIC



SPECIFICATION CONTROL DRAWING

© 2005 Tyco Electronics Corporation. All Rights Reserved.

DRAWN T RATZLAFF	DATE 17JUL2003	SIZE A	CAGE CODE 06090	DWG. NO. D-500-0468-1-XXX-ZZZ	REV B
CAD FILE C050211B		<b>tyco</b> <b>Electronics</b>		DO NOT SCALE THIS DRAWING      SHEET 2 OF 2	