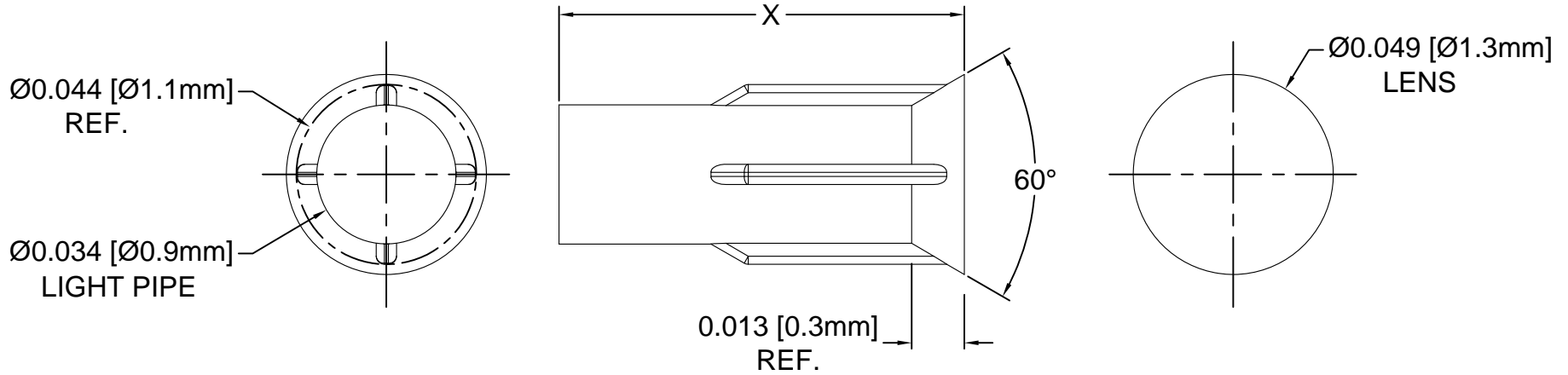
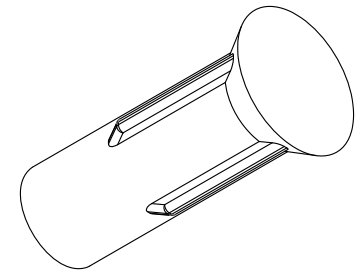
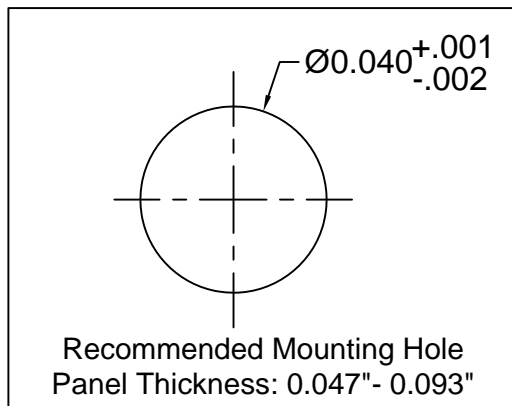


| REV. | DESCRIPTION | DATE | APPROVED |
|------|-------------------------------|----------|----------|
| B | Engineering Release | 07/15/15 | J. C. |
| C | Added Color Options, Sheet #2 | 01/25/16 | J. C. |



| Part No. | X = Body Length |
|------------|------------------|
| PLPC1-100 | 0.100 (2.5mm) |
| PLPC1-125 | 0.125 (3.2mm) |
| PLPC1-188 | 0.188 (4.8mm) |
| PLPC1-250 | 0.250 (6.4mm) |
| PLPC1-313 | 0.313 (7.9mm) |
| PLPC1-375 | 0.375 (9.5mm) |
| PLPC1-500 | 0.500 (12.7mm) |
| PLPC1-3MM | 3mm (0.118") |
| PLPC1-4MM | 4mm (0.157") |
| PLPC1-5MM | 5mm (0.197") |
| PLPC1-6MM | 6mm (0.236") |
| PLPC1-7MM | 7mm (0.276") |
| PLPC1-8MM | 8mm (0.315") |
| PLPC1-9MM | 9mm (0.354") |
| PLPC1-10MM | 10mm (0.394") |



| | | | | | |
|--|---------|--|---------------------------------|------------------------------|------------------------------|
| STANDARD TOLERANCE (UNLESS OTHERWISE SPECIFIED) | | 4 THOMAS, IRVINE, CA. 92618 TEL: (949) 951-8808 FAX: (949) 951-3974 | | | |
| DECIMALS | ANGULAR | | | | |
| .X ±.1 | X° ± 1° | TITLE: PRESS-FIT, PANEL MOUNT LIGHT PIPE, FLUSH, 1mm | | | |
| .XX ±.01 | | | | | |
| .XXX ±.005 | | DESIGNED: A. Wright | DATE: 04/24/15 | PART NO: PLPC1-XXX | REVISION: C |
| | | CHECKED: B. Oliver | DATE: 04/24/15 | CAGE CODE : 32559 | SHEET # 1 OF 2 |
| CAD GENERATED DOCUMENT, DO NOT MEASURE DRAWING. | | | | | |

2. MATERIAL: POLYCARBONATE, 94V-0, CLEAR.
1. GENERAL SPECIFICATIONS: BIVAR MOLDED COMPONENT SPECIFICATION BV00-E101 and BSMC-1001.

OTHER AVAILABLE COLORS

* SEE TABLE FOR ORDERING INFORMATION

| REV. | DESCRIPTION | DATE | APPROVED |
|------|--------------|------|----------|
| | SEE SHEET #1 | | |
| | | | |
| | | | |
| | | | |



| COLOR | Order Code |
|--------|------------|
| BLUE | BE |
| BLACK | BK |
| GREEN | GN |
| GRAY | GY |
| RED | RD |
| YELLOW | YW |

NOTE: LEAVE ORDER CODE BLANK IF NO COLOR IS DESIRED.

3. PARTS ARE DYED TO COLOR UPON REQUEST.

| | | | |
|---|--------------------------|--|---|
| STANDARD TOLERANCE (UNLESS OTHERWISE SPECIFIED) DECIMALS ANGULAR | | BIVAR [®] 4 THOMAS, IRVINE, CA. 92618 TEL: (949) 951-8808 FAX: (949) 951-3974 | |
| | | | TITLE: PRESS-FIT, PANEL MOUNT, LIGHT PIPE, FLUSH, 1mm |
| DESIGNED: K. Aukshunas | DATE: 01/25/16 | | PART NO: PLPC1-XXX |
| CHECKED: J. Chiang | DATE: 01/25/16 | CAGE CODE : 32559 | SHEET # 2 OF 2 |
| <small>CAD GENERATED DOCUMENT. DO NOT MEASURE DRAWING.</small> | | | |