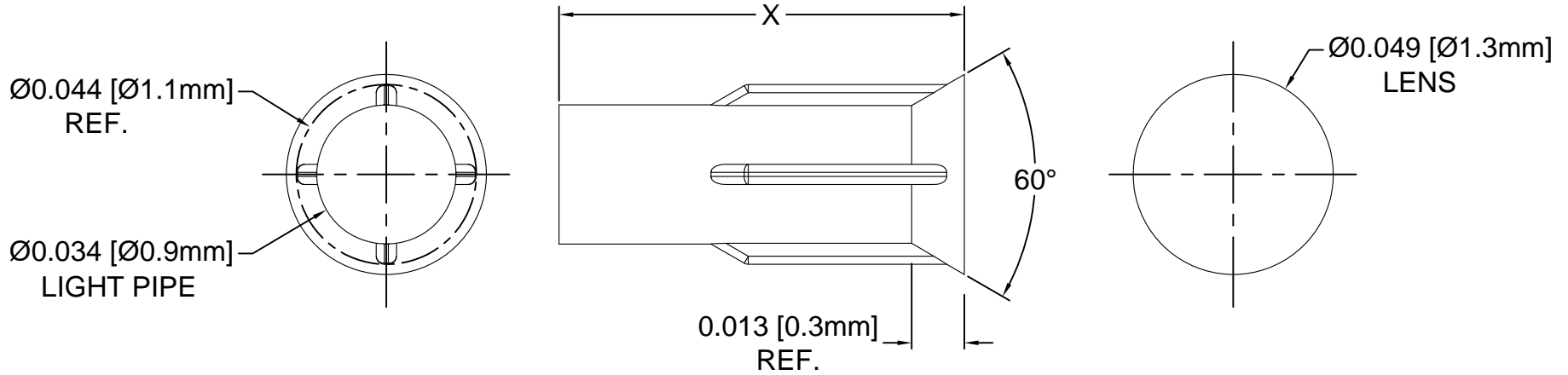
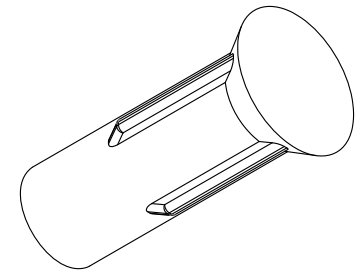
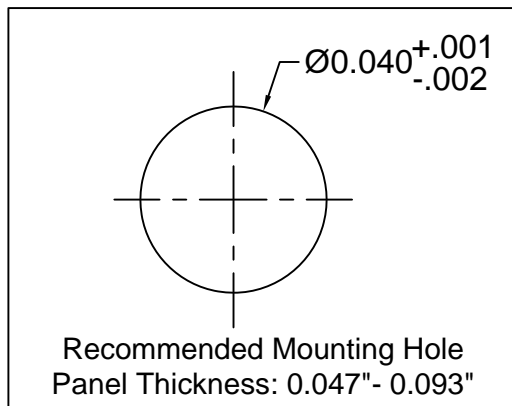


REV.	DESCRIPTION	DATE	APPROVED
B	Engineering Release	07/15/15	J. C.
C	Added Color Options, Sheet #2	01/25/16	J. C.



Part No.	X = Body Length
PLPC1-100	0.100 ( 2.5mm )
PLPC1-125	0.125 ( 3.2mm )
PLPC1-188	0.188 ( 4.8mm )
PLPC1-250	0.250 ( 6.4mm )
PLPC1-313	0.313 ( 7.9mm )
PLPC1-375	0.375 ( 9.5mm )
PLPC1-500	0.500 ( 12.7mm )
PLPC1-3MM	3mm ( 0.118" )
PLPC1-4MM	4mm ( 0.157" )
PLPC1-5MM	5mm ( 0.197" )
PLPC1-6MM	6mm ( 0.236" )
PLPC1-7MM	7mm ( 0.276" )
PLPC1-8MM	8mm ( 0.315" )
PLPC1-9MM	9mm ( 0.354" )
PLPC1-10MM	10mm ( 0.394" )



STANDARD TOLERANCE (UNLESS OTHERWISE SPECIFIED)		 4 THOMAS, IRVINE, CA. 92618 TEL: (949) 951-8808 FAX: (949) 951-3974			
DECIMALS	ANGULAR				
.X ±.1	X° ± 1°	<b>TITLE:</b> PRESS-FIT, PANEL MOUNT LIGHT PIPE, FLUSH, 1mm			
.XX ±.01					
.XXX ±.005		<b>DESIGNED:</b> <b>A. Wright</b>	<b>DATE:</b> <b>04/24/15</b>	<b>PART NO:</b> PLPC1-XXX	<b>REVISION:</b> C
<b>CHECKED:</b> <b>B. Oliver</b>		<b>DATE:</b> <b>04/24/15</b>	<b>CAGE CODE : 32559 SHEET # 1 OF 2</b>		
CAD GENERATED DOCUMENT, DO NOT MEASURE DRAWING.					

2. MATERIAL: POLYCARBONATE, 94V-0, CLEAR.
1. GENERAL SPECIFICATIONS: BIVAR MOLDED COMPONENT SPECIFICATION BV00-E101 and BSMC-1001.

**OTHER AVAILABLE COLORS**

\* SEE TABLE FOR ORDERING INFORMATION

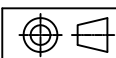
REV.	DESCRIPTION	DATE	APPROVED
	SEE SHEET #1		



COLOR	Order Code
BLUE	BE
BLACK	BK
GREEN	GN
GRAY	GY
RED	RD
YELLOW	YW

NOTE: LEAVE ORDER CODE BLANK IF NO COLOR IS DESIRED.

3. PARTS ARE DYED TO COLOR UPON REQUEST.

STANDARD TOLERANCE ( UNLESS OTHERWISE SPECIFIED ) DECIMALS      ANGULAR		<b>BIVAR</b> <sup>®</sup> 4 THOMAS, IRVINE, CA. 92618 TEL: (949) 951-8808    FAX: (949) 951-3974	
			
DESIGNED: <b>K. Aukshunas</b>	DATE: <b>01/25/16</b>	<b>TITLE:</b> PRESS-FIT, PANEL MOUNT, LIGHT PIPE, FLUSH, 1mm	<b>REVISION:</b> <b>C</b>
CHECKED: <b>J. Chiang</b>	DATE: <b>01/25/16</b>	<b>PART NO:</b> PLPC1-XXX	<b>SHEET # 2 OF 2</b>
<small>CAGE CODE : 32559    SHEET # 2 OF 2</small>			
<small>CAD GENERATED DOCUMENT. DO NOT MEASURE DRAWING.</small>			