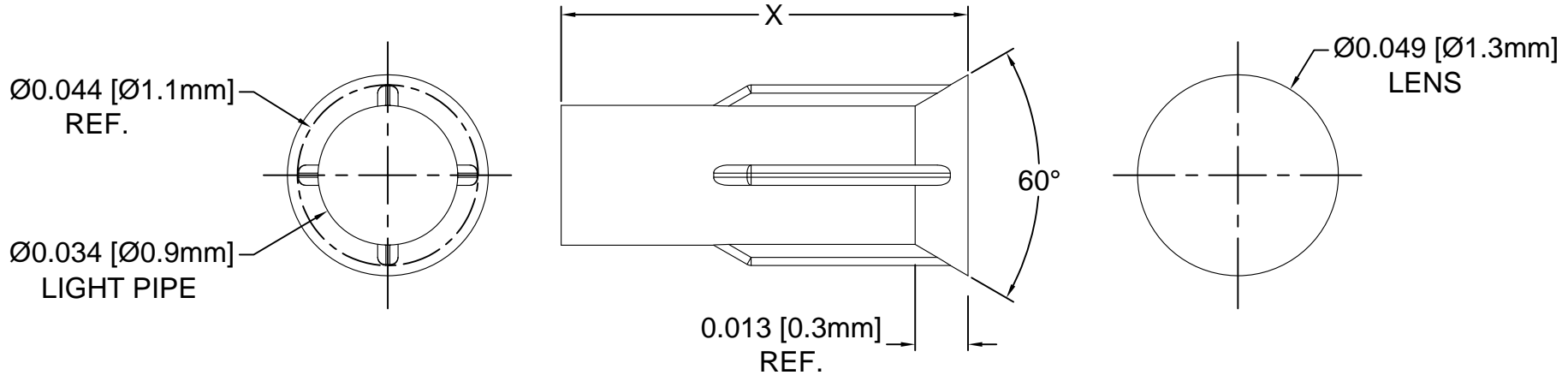
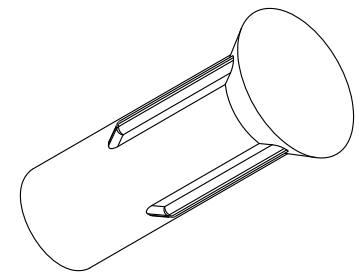
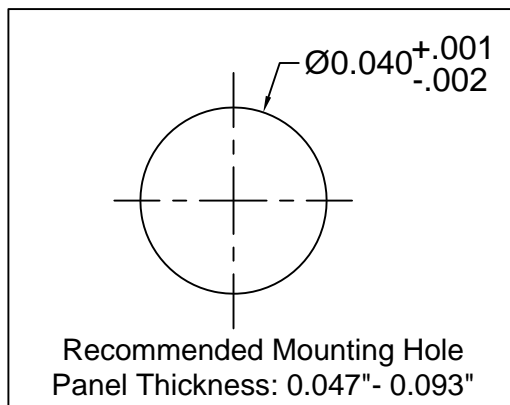


| REV. | DESCRIPTION                   | DATE     | APPROVED |
|------|-------------------------------|----------|----------|
| B    | Engineering Release           | 07/15/15 | J. C.    |
| C    | Added Color Options, Sheet #2 | 01/25/16 | J. C.    |



| Part No.   | X = Body Length  |
|------------|------------------|
| PLPC1-100  | 0.100 ( 2.5mm )  |
| PLPC1-125  | 0.125 ( 3.2mm )  |
| PLPC1-188  | 0.188 ( 4.8mm )  |
| PLPC1-250  | 0.250 ( 6.4mm )  |
| PLPC1-313  | 0.313 ( 7.9mm )  |
| PLPC1-375  | 0.375 ( 9.5mm )  |
| PLPC1-500  | 0.500 ( 12.7mm ) |
| PLPC1-3MM  | 3mm ( 0.118" )   |
| PLPC1-4MM  | 4mm ( 0.157" )   |
| PLPC1-5MM  | 5mm ( 0.197" )   |
| PLPC1-6MM  | 6mm ( 0.236" )   |
| PLPC1-7MM  | 7mm ( 0.276" )   |
| PLPC1-8MM  | 8mm ( 0.315" )   |
| PLPC1-9MM  | 9mm ( 0.354" )   |
| PLPC1-10MM | 10mm ( 0.394" )  |



| STANDARD TOLERANCE<br>(UNLESS OTHERWISE SPECIFIED) |                   | BIVAR®   |  |
|--|-------------------|--|--|
| DECIMALS   | ANGULAR           | 4 THOMAS, IRVINE, CA. 92618                          |  |
| .X ± .1  | X° ± 1°           | TEL: (949) 951-8808 FAX: (949) 951-3974              |  |
| .XX ± .01  |                   | TITLE: PRESS-FIT, PANEL MOUNT LIGHT PIPE, FLUSH, 1mm |  |
| .XXX ± .005  |                   | PART NO: PLPC1-XXX                                   |  |
| DESIGNED:<br>A. Wright                             | DATE:<br>04/24/15 | REVISION:<br>C                                       |  |
| CHECKED:<br>B. Oliver                              | DATE:<br>04/24/15 | CAGE CODE : 32559 SHEET # 1 OF 2                     |  |
| CAD GENERATED DOCUMENT, DO NOT MEASURE DRAWING.    |                   |  |  |

2. MATERIAL: POLYCARBONATE, 94V-0, CLEAR.
1. GENERAL SPECIFICATIONS: BIVAR MOLDED COMPONENT SPECIFICATION BV00-E101 and BSMC-1001.

**OTHER AVAILABLE COLORS**

\* SEE TABLE FOR ORDERING INFORMATION

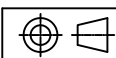
| REV. | DESCRIPTION  | DATE | APPROVED |
|------|--------------|------|----------|
|      | SEE SHEET #1 |      |          |
|      |              |      |          |
|      |              |      |          |
|      |              |      |          |



| COLOR  | Order Code |
|--------|------------|
| BLUE   | BE         |
| BLACK  | BK         |
| GREEN  | GN         |
| GRAY   | GY         |
| RED    | RD         |
| YELLOW | YW         |

NOTE: LEAVE ORDER CODE BLANK IF NO COLOR IS DESIRED.

3. PARTS ARE DYED TO COLOR UPON REQUEST.

|   |                          |  |   |
|---|--------------------------|--|---|
| STANDARD TOLERANCE<br>( UNLESS OTHERWISE SPECIFIED )<br>DECIMALS      ANGULAR |                          | <b>BIVAR</b> <sup>®</sup><br>4 THOMAS, IRVINE, CA. 92618<br>TEL: (949) 951-8808    FAX: (949) 951-3974 |   |
|   |                          |                   |   |
| DESIGNED:<br><b>K. Aukshunas</b>  | DATE:<br><b>01/25/16</b> | <b>TITLE:</b> PRESS-FIT, PANEL MOUNT,<br>LIGHT PIPE, FLUSH, 1mm  | <b>REVISION:</b><br><b>C</b>                          |
| CHECKED:<br><b>J. Chiang</b>  | DATE:<br><b>01/25/16</b> | <b>PART NO:</b> PLPC1-XXX  | <b>CAGE CODE :</b> 32559 <b>SHEET #</b> 2 <b>OF</b> 2 |
| CAD GENERATED DOCUMENT. DO NOT MEASURE DRAWING.                               |                          |  |   |