

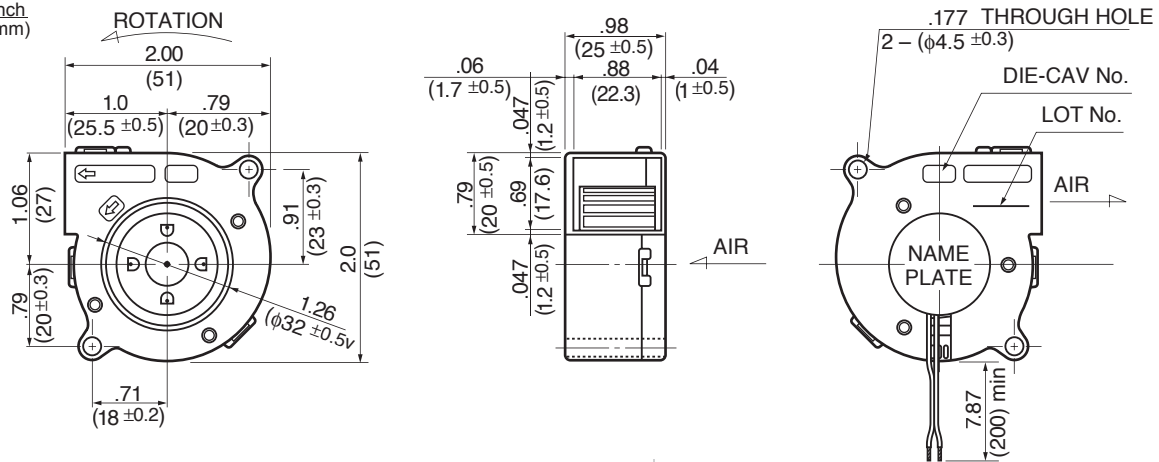


General Specifications

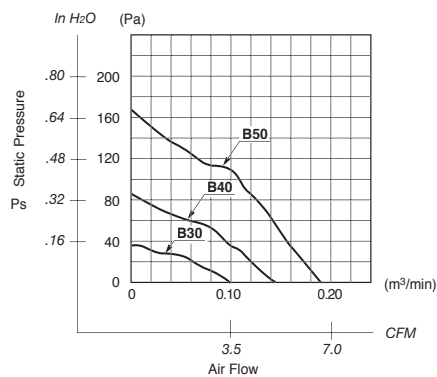
Allowable Ambient Temperature Range:
 B50 Class: -10°C ~ +60°C (Operating)
 B30~B40 Class: -10°C ~ +70°C (Operating)
 All Class: -40°C ~ +70°C (Storage)
 (non-condensing environment)

Outline

Units: $\frac{\text{inch}}{\text{mm}}$



Characteristic Curves



Material

Casing : Plastic (Black) 94V-0
 Impeller : Plastic (Black) 94V-0
 Bearing : Ball Bearing
 Lead Wire : UL1061, AWG26, +Red, -Black

Specifications

MODEL	Product No.	Rated Voltage	Operating Voltage	Current	Input Power	Speed	Max. Air Flow		Max. Static Pressure		Noise	Mass
		(V)	(V)	(A) ^{*1}	(W) ^{*1}	(min ⁻¹) ^{*1}	CFM ^{*1}	(m ³ /min) ^{*1}	in H ₂ O	(Pa) ^{*1}	(dB) ^{*1}	(g)
BM5125-04W-B30-	L00	12	10.2 ~ 13.8	0.06	0.72	2500	3.5	0.10	.14	35	27.0	35
BM5125-04W-B40-	L00	12	10.2 ~ 13.8	0.13	1.56	3500	5.3	0.15	.34	85	34.0	35
BM5125-04W-B50-	L00	12	10.2 ~ 13.8	0.24	2.88	4500	6.7	0.19	.64	160	41.0	35

Rotation: Counterclockwise

*1: Average Values in Free Air