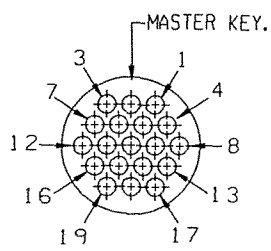
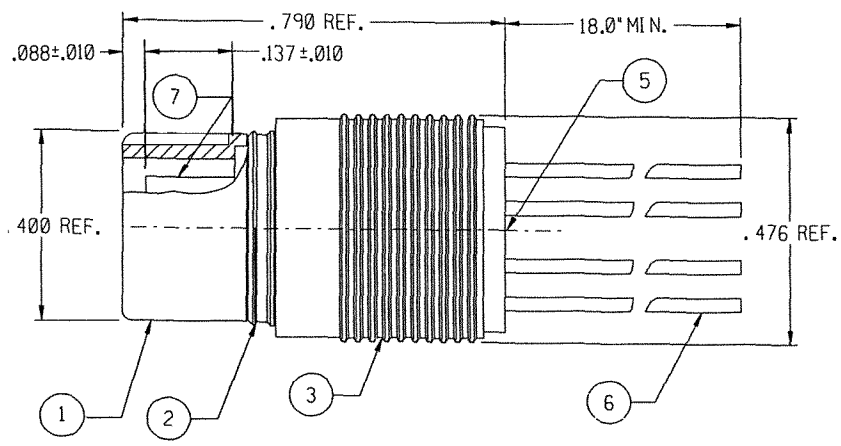


CONTACT ARRANGEMENTS
MATING FACE VIEW



WIRE CHART

CAVITY	WIRE INSULATION COLOR	CAVITY	WIRE INSULATION COLOR
1	BLK	11	BLK
2	BRN	12	BRN
3	RED	13	RED
4	ORG	14	ORG
5	YEL	15	YEL
6	GRN	16	GRN
7	BLU	17	BLU
8	VIO	18	VIO
9	GRA	19	GRA
10	WHT		



ITEM	DESCRIPTION	MATERIAL:	FINISH:
7	CONTACT, SOCKET	COPPER ALLOY	GOLD PLATE
6	WIRE LEAD	MIL-C-22759/11	N/A
5	POTTING	EPOXY, BLACK	N/A
4	INSULATOR	RYTON R4-06	N/A
3	SLEEVE	ALUMINUM 6061-T651	NICKEL PLATED
2	RING, LOCK	BERYLLIUM COPPER	NICKEL PLATED
1	SHELL, PLUG	ALUMINUM 6061-T651	NICKEL PLATED

NOTES: UNLESS OTHERWISE SPECIFIED.

UNLESS OTHERWISE SPECIFIED DIMENSIONS ARE IN INCHES. TOLERANCE ARE:		APPROVALS		MICRODOT CONNECTORS A DIVISION OF UNI-STAR INDUSTRIES INC. 386 PASADENA AVE., SO. PASADENA, CA 91030	
FRACTIONS	DECIMALS	ANGLES	SIGNATURE		DATE
±1/8	.XX ± .01	±1/2°	DRAWN		D. Morales 02/04/08
	.XXX ± .005		CHECKED		
MATERIAL:		PROL. ENG.		PLUG, QUICK RELEASE, SOCKET CONTACT, 19 POS, MQR-A-19P4G9-18.0 MICRODOT P/N 619-0019-0007	
SEE TABLATURE		D. Morales 02/04/08			
FINISH:		APPROVED		PROD CODE G599 CODE CDM	
SEE TABLATURE		THIS DOCUMENT IS THE PROPERTY OF MICRODOT CONNECTORS, A DIVISION OF UNI-STAR INDUSTRIES INC. USE OF THIS DOCUMENT OR ANY PART THEREOF IS STRICTLY FORBIDDEN WITHOUT THE EXPRESS WRITTEN PERMISSION OF MICRODOT CONNECTORS, A DIVISION OF UNI-STAR INDUSTRIES INC.		SIZE CODE IDENT NO. B 98278 DRAWING NO. 5-1532237-8	
		SC: 4.8X		SHEET 1 of 1	