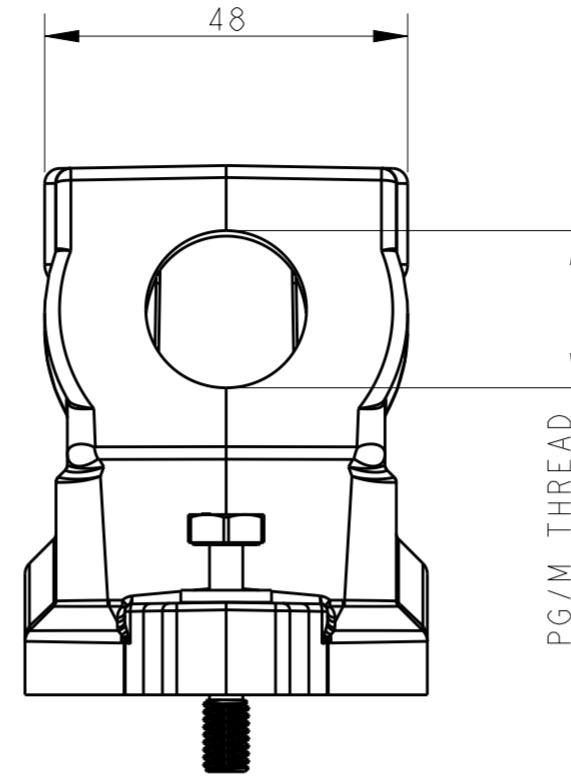
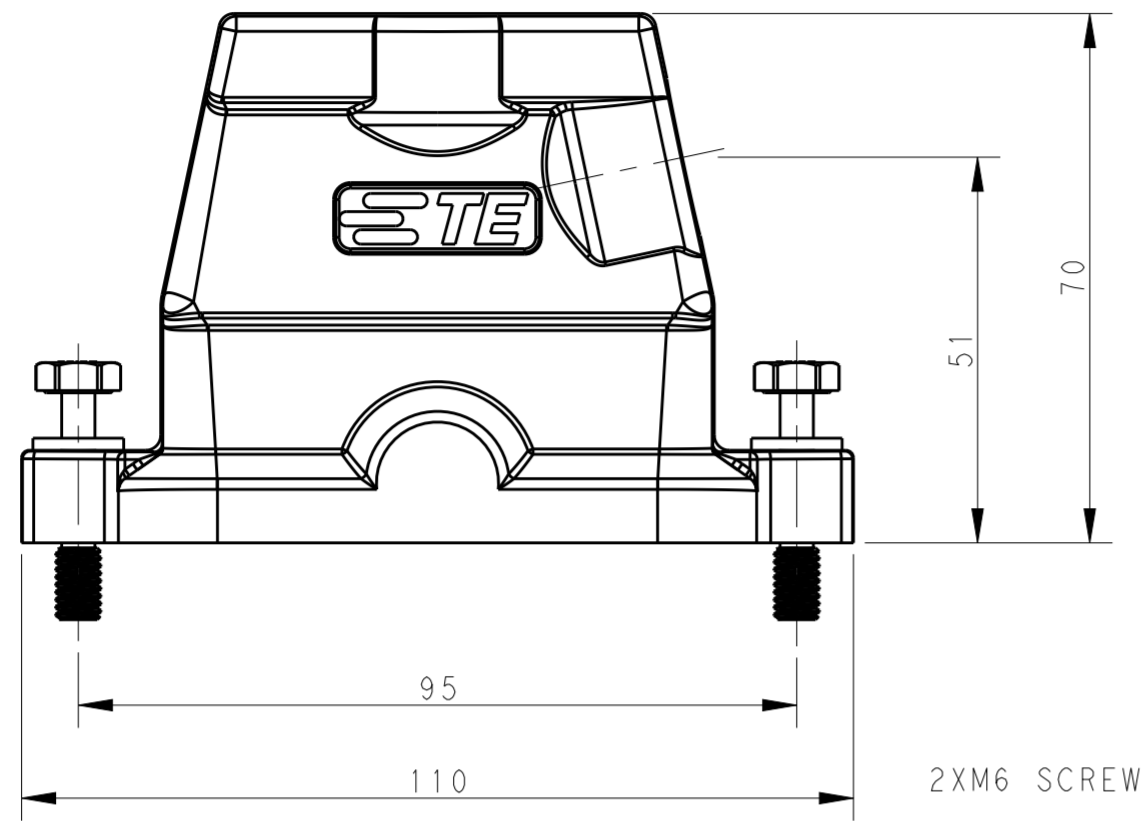


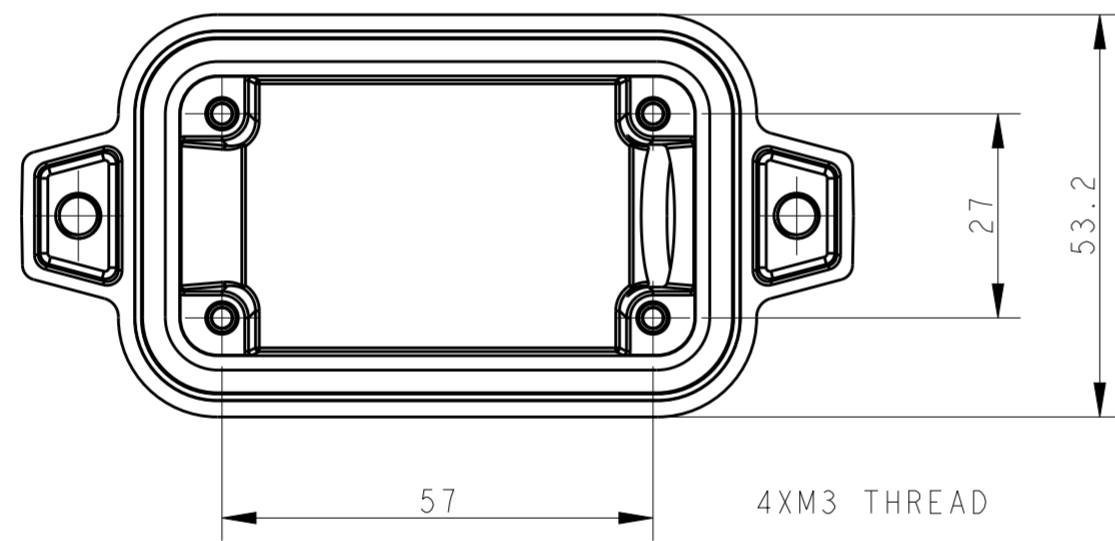
THIS DRAWING IS UNPUBLISHED. RELEASED FOR PUBLICATION 20  
 © COPYRIGHT 20 BY - ALL RIGHTS RESERVED.

REVISIONS					
P	LTR	DESCRIPTION	DATE	DWN	APVD
A		INITIAL RELEASE	10JUN2015	GY	CW
A1		ECR-18-009564	25SEP2018	CD	CW



NOTES:  
 1. TECHNICAL CHARACTERISTICS:  
 HOOD MATERIAL: DIE CAST ALUMINIUM ALLOY  
 SURFACE TREATMENT: SEE TABLE  
 DEGREE OF PROTECTION: IP68 (MATED)

注释  
 1. 技术参数:  
 壳体材料: 铝合金  
 表面处理: 见表格  
 防护等级: IP68 (配合)




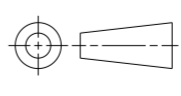
THIS DRAWING IS A CONTROLLED DOCUMENT.		DWN Gino Yao 10JUN2015	<b>STC</b> TE Connectivity		
DIMENSIONS: mm		CHK Chris Wang 10JUN2015			
TOLERANCES UNLESS OTHERWISE SPECIFIED:		APVD Xiang Xu 10JUN2015	NAME H10BPR-TSHC-PG/M		
0 PLC ±		PRODUCT SPEC	SIZE A2		
1 PLC ±		108-137014	CAGE CODE -		
2 PLC ±		APPLICATION SPEC	DRAWING NO G-T191210XXXXX00		
3 PLC ±		114-137014	RESTRICTED TO -		
4 PLC ±		WEIGHT -	SCALE 1:1		
ANGLES ±		Customer Drawing	SHEET 1 OF 2		
FINISH			REV A1		

THIS DRAWING IS UNPUBLISHED. RELEASED FOR PUBLICATION 20  
 © COPYRIGHT 20 BY - ALL RIGHTS RESERVED.

REVISIONS				
P	LTR	DESCRIPTION	DATE	APVD
-		SEE SHEET 1	-	-

NOTE:  
 SEE SHEET 1  
 备注:  
 见 SHEET 1

PART NUMBER 料号	SURFACE TREATMENT 表面处理	PART DESCRIPTION 描述	PG/M THREAD-1 螺纹孔-1	TYPE 类型
T1912102125-001	POWDER COATED, DEEP GREY 粉末喷涂, 深灰色	H10BPR-TSHC-M25 H10BPR HOOD, CENTER LOCKING, SIDE ENTRY M25, POWDER COATED, DEEP GREY, NO LOGO H10BPR上壳, 中部锁定, 侧出M25, 深灰色粉末喷涂, 无LOGO	M25	TYPE 2 类型2
T1912102132-001	POWDER COATED, DEEP GREY 粉末喷涂, 深灰色	H10BPR-TSHC-M32 H10BPR HOOD, CENTER LOCKING, SIDE ENTRY M32, POWDER COATED, DEEP GREY, NO LOGO H10BPR上壳, 中部锁定, 侧出M32, 深灰色粉末喷涂, 无LOGO	M32	
T1912102132-000	POWDER COATED, GREY 粉末喷涂, 灰色	H10BPR-TSHC-M32 H10BPR HOOD, CENTER LOCKING, SIDE ENTRY M32, POWDER COATED, GREY H10BPR上壳, 中部锁定, 侧出M32, 灰色粉末喷涂	M32	
T1912102129-000	POWDER COATED, GREY 粉末喷涂, 灰色	H10BPR-TSHC-PG29 H10BPR HOOD, CENTER LOCKING, SIDE ENTRY PG29, POWDER COATED, GREY H10BPR上壳, 中部锁定, 侧出PG29, 灰色粉末喷涂	PG29	
T1912102125-000	POWDER COATED, GREY 粉末喷涂, 灰色	H10BPR-TSHC-M25 H10BPR HOOD, CENTER LOCKING, SIDE ENTRY M25, POWDER COATED, GREY H10BPR上壳, 中部锁定, 侧出M25, 灰色粉末喷涂	M25	
T1912102121-000	POWDER COATED, GREY 粉末喷涂, 灰色	H10BPR-TSHC-PG21 H10BPR HOOD, CENTER LOCKING, SIDE ENTRY PG21, POWDER COATED, GREY H10BPR上壳, 中部锁定, 侧出PG21, 灰色粉末喷涂	PG21	
T1912102120-000	POWDER COATED, GREY 粉末喷涂, 灰色	H10BPR-TSHC-M20 H10BPR HOOD, CENTER LOCKING, SIDE ENTRY M20, POWDER COATED, GREY H10BPR上壳, 中部锁定, 侧出M20, 灰色粉末喷涂	M20	
T1912102116-000	POWDER COATED, GREY 粉末喷涂, 灰色	H10BPR-TSHC-PG16 H10BPR HOOD, CENTER LOCKING, SIDE ENTRY PG16, POWDER COATED, GREY H10BPR上壳, 中部锁定, 侧出PG16, 灰色粉末喷涂	PG16	
T1912101132-000	POWDER COATED, SILVER WHITE 粉末喷涂, 银白色	H10BPR-TSHC-M32 H10BPR HOOD, CENTER LOCKING, SIDE ENTRY M32, POWDER COATED, SILVER WHITE H10BPR上壳, 中部锁定, 侧出M32, 银白色粉末喷涂	M32	
T1912101129-000	POWDER COATED, SILVER WHITE 粉末喷涂, 银白色	H10BPR-TSHC-PG29 H10BPR HOOD, CENTER LOCKING, SIDE ENTRY PG29, POWDER COATED, SILVER WHITE H10BPR上壳, 中部锁定, 侧出PG29, 银白色粉末喷涂	PG29	
T1912101125-000	POWDER COATED, SILVER WHITE 粉末喷涂, 银白色	H10BPR-TSHC-M25 H10BPR HOOD, CENTER LOCKING, SIDE ENTRY M25, POWDER COATED, SILVER WHITE H10BPR上壳, 中部锁定, 侧出M25, 银白色粉末喷涂	M25	TYPE 1 类型1
T1912101121-000	POWDER COATED, SILVER WHITE 粉末喷涂, 银白色	H10BPR-TSHC-PG21 H10BPR HOOD, CENTER LOCKING, SIDE ENTRY PG21, POWDER COATED, SILVER WHITE H10BPR上壳, 中部锁定, 侧出PG21, 银白色粉末喷涂	PG21	
T1912101120-000	POWDER COATED, SILVER WHITE 粉末喷涂, 银白色	H10BPR-TSHC-M20 H10BPR HOOD, CENTER LOCKING, SIDE ENTRY M20, POWDER COATED, SILVER WHITE H10BPR上壳, 中部锁定, 侧出M20, 银白色粉末喷涂	M20	
T1912101116-000	POWDER COATED, SILVER WHITE 粉末喷涂, 银白色	H10BPR-TSHC-PG16 H10BPR HOOD, CENTER LOCKING, SIDE ENTRY PG16, POWDER COATED, SILVER WHITE H10BPR上壳, 中部锁定, 侧出PG16, 银白色粉末喷涂	PG16	
T1912100132-000	POWDER COATED, BLACK 粉末喷涂, 黑色	H10BPR-TSHC-M32 H10BPR HOOD, CENTER LOCKING, SIDE ENTRY M32, POWDER COATED, BLACK H10BPR上壳, 中部锁定, 侧出M32, 黑色粉末喷涂	M32	
T1912100129-000	POWDER COATED, BLACK 粉末喷涂, 黑色	H10BPR-TSHC-PG29 H10BPR HOOD, CENTER LOCKING, SIDE ENTRY PG29, POWDER COATED, BLACK H10BPR上壳, 中部锁定, 侧出PG29, 黑色粉末喷涂	PG29	
T1912100125-000	POWDER COATED, BLACK 粉末喷涂, 黑色	H10BPR-TSHC-M25 H10BPR HOOD, CENTER LOCKING, SIDE ENTRY M25, POWDER COATED, BLACK H10BPR上壳, 中部锁定, 侧出M25, 黑色粉末喷涂	M25	
T1912100121-000	POWDER COATED, BLACK 粉末喷涂, 黑色	H10BPR-TSHC-PG21 H10BPR HOOD, CENTER LOCKING, SIDE ENTRY PG21, POWDER COATED, BLACK H10BPR上壳, 中部锁定, 侧出PG21, 黑色粉末喷涂	PG21	
T1912100120-000	POWDER COATED, BLACK 粉末喷涂, 黑色	H10BPR-TSHC-M20 H10BPR HOOD, CENTER LOCKING, SIDE ENTRY M20, POWDER COATED, BLACK H10BPR上壳, 中部锁定, 侧出M20, 黑色粉末喷涂	M20	
T1912100116-000	POWDER COATED, BLACK 粉末喷涂, 黑色	H10BPR-TSHC-PG16 H10BPR HOOD, CENTER LOCKING, SIDE ENTRY PG16, POWDER COATED, BLACK H10BPR上壳, 中部锁定, 侧出PG16, 黑色粉末喷涂	PG16	

THIS DRAWING IS A CONTROLLED DOCUMENT.		DWN Gino Yao 10 JUN 2015	 TE Connectivity	
DIMENSIONS: mm		CHK Chris Wang 10 JUN 2015		
TOLERANCES UNLESS OTHERWISE SPECIFIED:		APVD Xiang Xu 10 JUN 2015	NAME H10BPR-TSHC-PG/M	
		PRODUCT SPEC 108-137014	RESTRICTED TO	
MATERIAL		APPLICATION SPEC 114-137014	SIZE A2	CAGE CODE
FINISH		WEIGHT	DRAWING NO G-T191210XXXXX00	
		Customer Drawing		SCALE 1:1
		SHEET 2 OF 2		REV A1