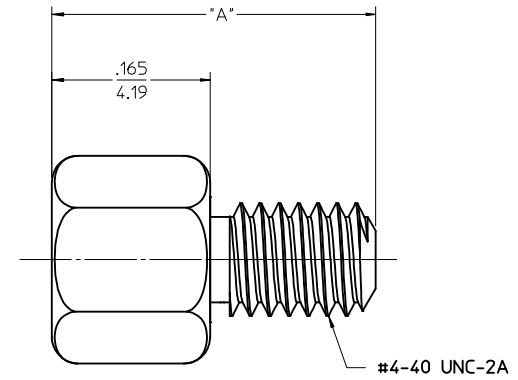
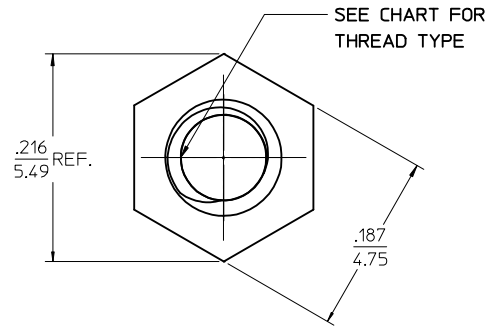
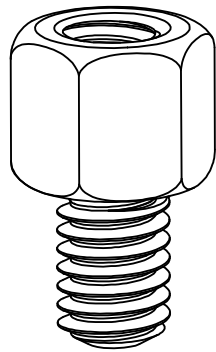


MAT'L NO.	INTERNAL THREAD	DIM. "A"	MATERIAL / PLATING
74962-1000	4-40 UNC-2B	.338 / 8.60	STAINLESS STEEL 303
74962-2000	M3x0.5 CLASS 6H	.338 / 8.60	
74962-3000	4-40 UNC-2B	.378 / 9.60	STAINLESS STEEL 303
74962-4000	M3x0.5 CLASS 6H	.378 / 9.60	
74962-0005	4-40 UNC-2B	.421 / 10.69	STAINLESS STEEL 303
74962-0006	M3x0.5 CLASS 6H	.421 / 10.69	

NOTES:

- PARTS ARE PACKAGED IN POLY BAGS CONSISTING OF 40 PIECES.
- INTERNAL AND EXTERNAL THREADS TO WITHSTAND A MINIMUM APPLIED TORQUE OF 5 lbf in/5.76 kgf cm.

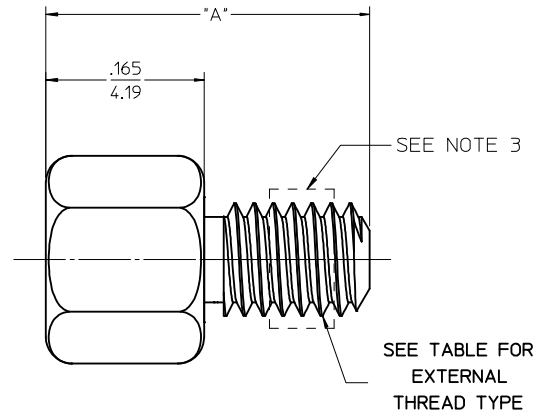
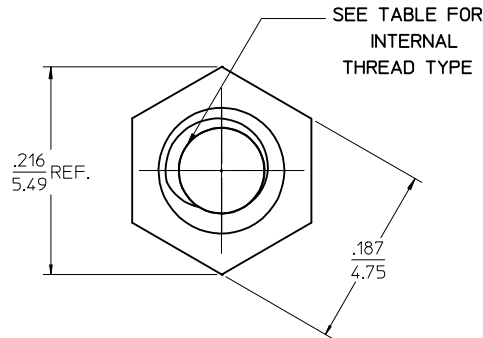
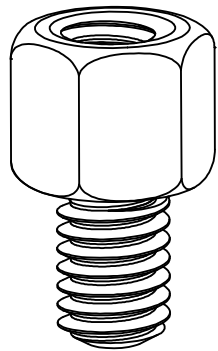


INITIAL RELEASE EC NO: UCP2015-0921 DRWNT: IBARRA 2014/08/01 CHKD: MPOFF 2014/08/29 APPR: SMILLER 2014/09/04	QUALITY SYMBOLS 	GENERAL TOLERANCES (UNLESS SPECIFIED)		DIMENSION STYLE IN/MM	SCALE 10:1	DESIGN UNITS INCH	THIRD ANGLE PROJECTION		
		4 PLACES ± --- ± ---	3 PLACES ± --- ± .010	DRAWN BY TIBARRA	DATE 2014/08/01	TITLE TDP 3/16" HEX JACKPOST			
		2 PLACES ± 0.25 ± ---	1 PLACE ± --- ± ---	CHECKED BY MPOFF	DATE 2014/08/29				
		0 PLACE ± ±	ANGULAR ±1/2°	APPROVED BY SMILLER	DATE 2014/09/04	MATERIAL NO. SEE TABLE	DOCUMENT NO. SD-74962-1000	SHEET NO. 1 OF 1	
A	DRAFT WHERE APPLICABLE MUST REMAIN WITHIN DIMENSIONS	SIZE		THIS DRAWING CONTAINS INFORMATION THAT IS PROPRIETARY TO MOLEX INCORPORATED AND SHOULD NOT BE USED WITHOUT WRITTEN PERMISSION					

13	12	11	10	9	8	7	6	5	4	3	2	1
MAT'L NO.	INTERNAL THREAD	EXTERNAL THREAD	DIM. "A"	MATERIAL / PLATING								
74962-1110	4-40 UNC-2B	4-40 UNC-2A	.338 / 8.60	STAINLESS STEEL 303 / NYLON TORQUE PATCH								

NOTES:

- PARTS ARE PACKAGED IN POLY BAGS CONSISTING OF 40 PIECES.
- INTERNAL AND EXTERNAL THREADS TO WITHSTAND A MINIMUM APPLIED TORQUE OF 5 lbf in/5.76 kgf cm.
- NYLOK® TORQUE PATCH LOCATED TO THE LEFT OF THE FIRST OR SECOND FULL THREADS AND COVERS 3 THREADS MINIMUM.



MOD NOTE 3 EC NO: UCP2016-1139 2015/09/14 DRWN:TIBARRA 2015/09/14 CHKD:MCAIN 2015/09/14 APPR:SMILLER 2015/09/17	QUALITY SYMBOLS ▽=0 ▽=0 ▽=0	GENERAL TOLERANCES (UNLESS SPECIFIED)		DIMENSION STYLE IN/MM		SCALE 10:1	DESIGN UNITS INCH	THIRD ANGLE PROJECTION		
		4 PLACES ± --- ± ---	3 PLACES ± --- ± .010	2 PLACES ± 0.25 ± ---	1 PLACE ± --- ± ---	0 PLACE ± ±	DRAWN BY TIBARRA DATE 2015/07/09		TITLE TDP 3/16" HEX JACKPOST WITH TORQUE PATCH	
		CHECKED BY DMORGAN DATE 2017/07/09		APPROVED BY SMILLER DATE 2015/08/14		MATERIAL NO.		DOCUMENT NO.		
		ANGULAR ±1/2°		SEE TABLE		SD-74962-1110		SHEET NO. 1 OF 1		
DRAFT WHERE APPLICABLE MUST REMAIN WITHIN DIMENSIONS		THIS DRAWING CONTAINS INFORMATION THAT IS PROPRIETARY TO MOLEX INCORPORATED AND SHOULD NOT BE USED WITHOUT WRITTEN PERMISSION								