

Interface module - UM-D37M/DS/FU/LED/AO/C300/R - 2905131

Please be informed that the data shown in this PDF Document is generated from our Online Catalog. Please find the complete data in the user's documentation. Our General Terms of Use for Downloads are valid (<http://phoenixcontact.com/download>)



16-channel module for Honeywell C300 analog output cards with disconnect, test points, socketed 500 mA fuses and fuse status indicator.

Product Features

- These VARIOFACE modules are used in combination with the relevant front adapters
- Per channel pluggable 500 mA fusing
- Per channel disconnects with test points
- LED blown fuse indication
- Din rail mounting, includes grounding foot
- Per channel shield connection
- UM-PRO housing
-



Key commercial data

Packing unit	1 pc
Weight per Piece (excluding packing)	450.0 GRM
Custom tariff number	85369010
Country of origin	United States

Technical data

Dimensions

Width	104 mm
Height	142.3 mm
Depth	79 mm

Ambient conditions

Ambient temperature (operation)	-40 °C ... 85 °C
---------------------------------	------------------

Interface module - UM-D37M/DS/FU/LED/AO/C300/R - 2905131

Technical data

Ambient conditions

Ambient temperature (storage/transport)	-40 °C ... 85 °C
---	------------------

General

Max. permissible operating voltage	24 V DC
Max. perm. current (per branch)	500 mA (fuse limited)
Max. permissible current (separate power supply)	4 A (via D-SUB)
Number of positions	37
Status display	No
Mounting position	any
Assembly instructions	In rows with zero spacing
Standards/regulations	DIN EN 50178

Connection data for connection 1

Connection name	Field level
Connection method	Screw connection with disconnect knife
Conductor cross section solid min.	0.2 mm ²
Conductor cross section solid max.	4 mm ²
Conductor cross section flexible min.	0.2 mm ²
Conductor cross section flexible max.	2.5 mm ²
Conductor cross section AWG min.	24
Conductor cross section AWG max.	12
Stripping length	8 mm
Screw thread	M 3

Connection data for connection 2

Connection name	Controller level
Connection method	D-SUB pin strip
Number of positions	37

Supported controller

Controller	HONEYWELL C300
- suitable I/O card	CX-TAOX01
	CX-TAOX11
	CX-TAOX51
	CX-TAOX61
	CX-TAON01
	CX-TAON11
	8X-TAOXA1
	8X-TAOXB1

Interface module - UM-D37M/DS/FU/LED/AO/C300/R - 2905131

Classifications

eCl@ss

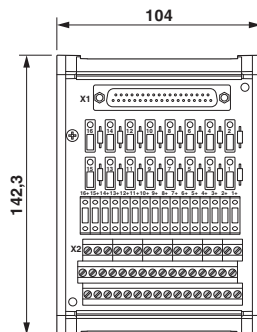
eCl@ss 4.1	27250313
eCl@ss 5.1	27250313
eCl@ss 6.0	27242608
eCl@ss 8.0	27141152

ETIM

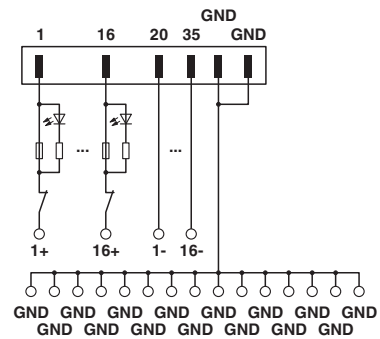
ETIM 4.0	EC001423
ETIM 5.0	EC002780

Drawings

Dimensional drawing



Circuit diagram



dimensional drawing of left hand version