
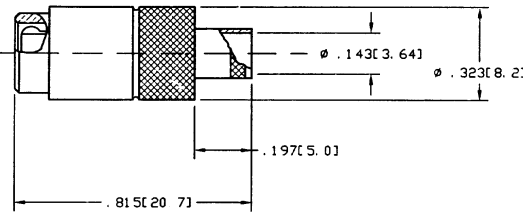

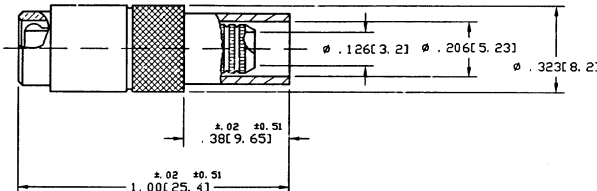

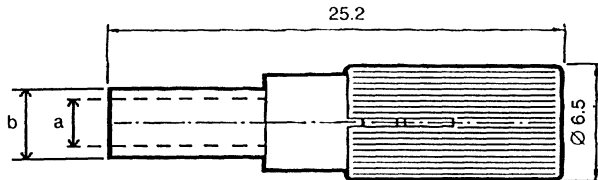


# Straight Cable Plugs for Semi-Rigid & Flexible Cable

<p>Fig. 1</p>   <p>Straight Push-Pull Plugs Solder to Body <b>102-799-41</b> for .141 (3.6mm) SR RG 402 <b>102-799-85</b> for .085 (2.2mm) SR RG 405</p>	<p>Fig. 2</p>  
<p>Fig. 3</p>   <p>Straight Screw-On Plug <b>102-920-06</b> for RG-174, 188, 316</p>	<p>Straight Push-Pull Plugs Braid Crimp Solder Contact <b>102-799-04</b> for RG 58 <b>102-799-04DB</b> for RG 142 <b>102-799-16</b> for RG 174, 179, 188, 316 <b>102-799-16DB</b> for Double Braid RG 174, 316 <b>102-799-20</b> for LMR200 <b>102-799-48</b> for LMR 240</p>

1.0/2.3

## 1.0/2.3 CABLE PLUGS

Cable	Cable Attachment		Dimensions, inches (mm)		CAI	PLI	Ins.	Amphenol Number	Fig.
	Outer	Inner	a	b					
.141 S/R RG 402	Solder	Solder	.815(20.7)	.143(3.64)	C78	P37	D1	<a href="#">102-799-41</a>	1
.085 S/R RG 405	Solder	Solder	.815(20.7)	.090(2.3)	C78	P37	D1	<a href="#">102-799-85</a>	1
RG 58	Crimp	Crimp	.984(25.0)	.206(5.23)	C79	P37	D1	<a href="#">102-799-04</a>	2
RG 142B	Crimp	Solder	.984(25.0)	.216(5.5)	C79	P37	D1	<a href="#">102-799-04DB</a>	2
RG 174, 179, 187, 188, 316	Crimp	Crimp	.984(25.0)	.128(3.25)	C79	P37	D1	<a href="#">102-799-16</a>	2
RG 316 Double Braid	Crimp	Solder	.984(25.0)	.142(3.61)	C79	P37	D1	<a href="#">102-799-16DB</a>	2
LMR200	Crimp	Solder	.984(25.0)	.206(5.23)	C79	P37	D1	<a href="#">102-799-20</a>	2
LMR240	Crimp	Solder	1.38(35.0)	.261(6.63)	C79	P37	D1	<a href="#">102-799-48</a>	2
RG 174, 188, 316	Crimp	Crimp	.992(25.2)	.128(3.25)	C79	P37	D1	<a href="#">102-920-06</a>	3

• Accommodates cable diameter