

THIS DRAWING IS UNPUBLISHED.

RELEASED FOR PUBLICATION

20

© COPYRIGHT 20 BY -

ALL RIGHTS RESERVED.

LOC X53

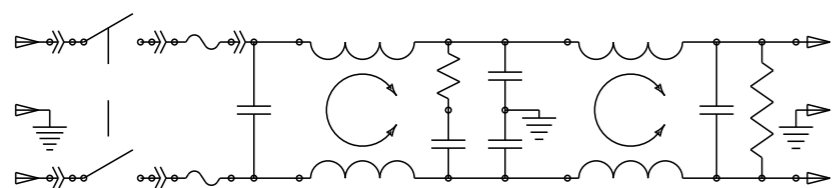
DIST -

REVISIONS

| P | LTR | DESCRIPTION | DATE | DWN | APVD |
|---|-----|---------------|-----------|-----|------|
| | A | ECO-10-017557 | 10JAN2012 | EC | EC |

MINIMUM INSERTION LOSS, 50Ω LINE AND LOAD IMPEDANCES

| LINE TO GROUND (COMMON MODE) | | | | | | | LINE TO LINE (DIFFERENTIAL MODE) | | | | | | |
|------------------------------|----------------|----|----|----|----|----|----------------------------------|----------------|----|----|----|----|----|
| CURRENT RATING | FREQUENCY, MHz | | | | | | CURRENT RATING | FREQUENCY, MHz | | | | | |
| | .15 | .5 | 1 | 3 | 10 | 30 | | .15 | .5 | 1 | 3 | 10 | 30 |
| 3 AMP | 50 | 60 | 60 | 49 | 40 | 30 | 3 AMP | 25 | 60 | 60 | 53 | 45 | 40 |
| 6 AMP | 34 | 58 | 58 | 47 | 37 | 30 | 6 AMP | 9 | 50 | 62 | 54 | 46 | 40 |
| 10 AMP | 6 | 35 | 45 | 45 | 38 | 30 | 10 AMP | 10 | 20 | 59 | 54 | 48 | 40 |

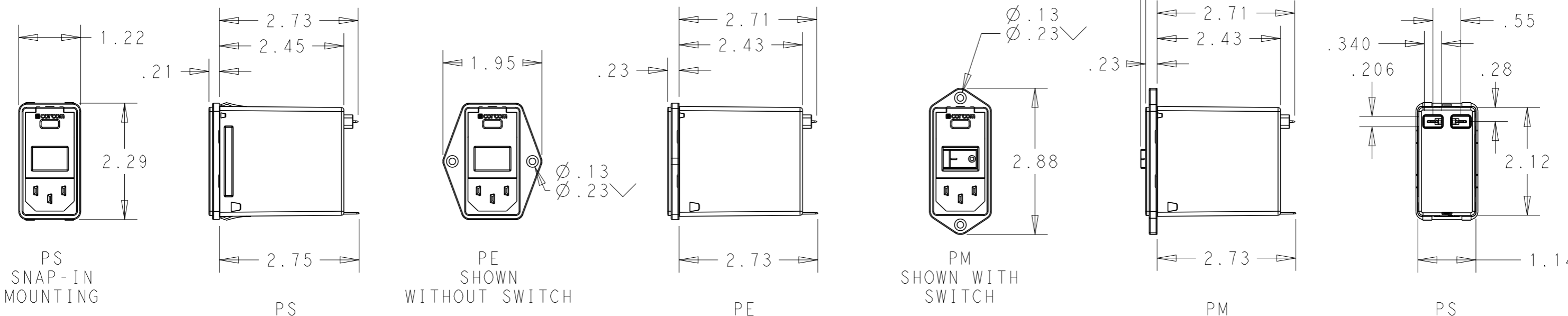


SCHEMATIC

PANEL CUT-OUT



FOR PS VERSIONS THE SHORT EDGES MUST HAVE R.02 ON INSERTION SIDE.
 * FOR PANEL THICKNESS 0.031-0.079 USE 2.201
 FOR PANEL THICKNESS 0.083-0.114 USE 2.213.



PS SNAP-IN MOUNTING

PS

PE SHOWN WITHOUT SWITCH

PE

PM SHOWN WITH SWITCH

PM

PS

PART NUMBER SYSTEM



MOUNTING STYLE
 S = SEE ABOVE
 E = SEE ABOVE
 M = SEE ABOVE

CURRENT
 3 = 3 AMP
 6 = 6 AMP
 X = 10 AMP


SWITCH OPTIONS
 0 = NONE
 S = DOUBLE POLE, SINGLE THROW

PSOS0SM6E EXAMPLE:
 SNAP-IN MOUNTING
 WITH SWITCH
 SINGLE FUSING
 6 AMP
 0'S ARE ZEROS.

FUSE LOCATIONS
 D = DUAL FUSING
 S = SINGLE FUSING
 INCLUDES CONVERSION CLIP

HIPOT RATING (ONE MINUTE)
 LINE TO GROUND: 1500 VAC
 LINE TO LINE: 1450 VDC
 OPERATING FREQUENCY: 50/60 Hz
 RATED VOLTAGE: 120/250 VAC
 FUSING: ACCEPTS 3AG Ø 1/4" X 1-1/4"
 OR METRIC Ø 5 mm X 20 mm
 OPERATING AMBIENT TEMP: -10°C TO 40°C
 STORAGE TEMPERATURE: -40°C TO 85°C

MAX LEAKAGE CURRENT .25mA @ 120V 60Hz
 PER LINE TO GROUND: .50mA @ 250V 60Hz
 HUMIDITY: 21 DAYS, 40°C @ 95%RH
 CURRENT OVERLOAD: 6X RATED FOR 8 SEC
 SWITCH: 10K CYCLES @ 51 AMP INRUSH
 TERMINALS: 0.187" X .032 FASTON TABS
 SAFETY AGENCIES: UL RECOGNIZED, CSA CERTIFIED, VDE APPROVED.

| | | | | |
|--|--|--------------------|---|----------------------------|
| THIS DRAWING IS A CONTROLLED DOCUMENT. | | DWN EC 20DEC2011 |  TE Connectivity | |
| | | CHK - 20DEC2011 | | |
| DIMENSIONS: INCHES | | APVD EC 20DEC2011 | NAME MEDIUM P SERIES SWITCHED, FUSED, 2-STAGE FILTERED INLET | |
| TOLERANCES UNLESS OTHERWISE SPECIFIED: | | PRODUCT SPEC - | SIZE A3 | |
| 0 PLC ±.2 1 PLC ±.1 2 PLC ±.02 3 PLC ±.005 4 PLC ±.0005 ANGLES ±1 | | APPLICATION SPEC - | CAGE CODE C= | DRAWING NO MEDIUM-P-SERIES |
| MATERIAL - | | WEIGHT - | RESTRICTED TO - | |
| FINISH - | | CUSTOMER DRAWING | SCALE 1:2 | SHEET 1 OF 1 REV A |