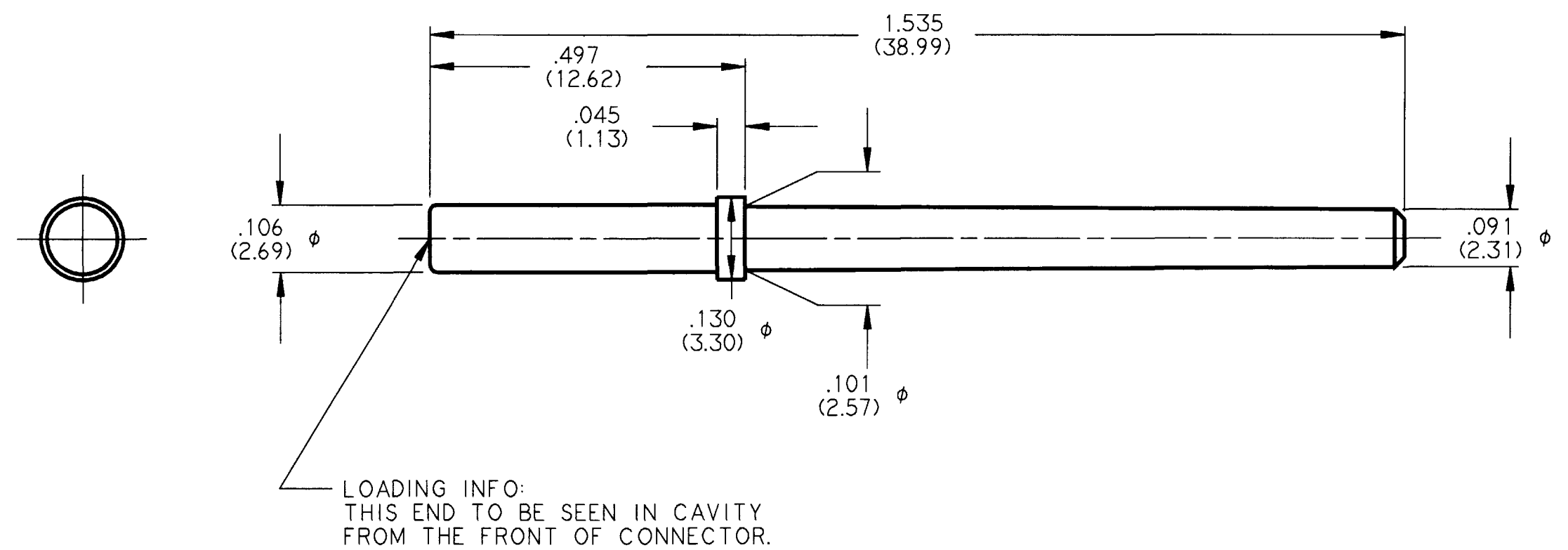


REV NC	0413-215-1605	REVISIONS		
SYM	DESCRIPTION	DATE	APPROVED	
NC	NEW RELEASE PER E.O. A14921	10-31-95	RDR	



NOTES:  
 2. DIMENSIONS ARE FOR REFERENCE ONLY IN INCHES (METRIC).  
 1. COLOR: NATURAL (WHITE).

SIGNATURE & DATE	
DR	V. TOMSA OCT-30-95.
CHK	
PE	<i>[Signature]</i> 10-30-95
APPD	R. Reed 10-31-95
SCALE 5X	WT

KEYING PIN  
 SIZE 16  
 HD SERIES

ENVELOPE

CP	MATL CODE
The Deutsch Company DEUTSCH I.P.D. 37140 INDUSTRIAL AVE. HEMET, CALIF. 92343	
0413-215-1605	
DWG SIZE	SHEET 1 OF 1