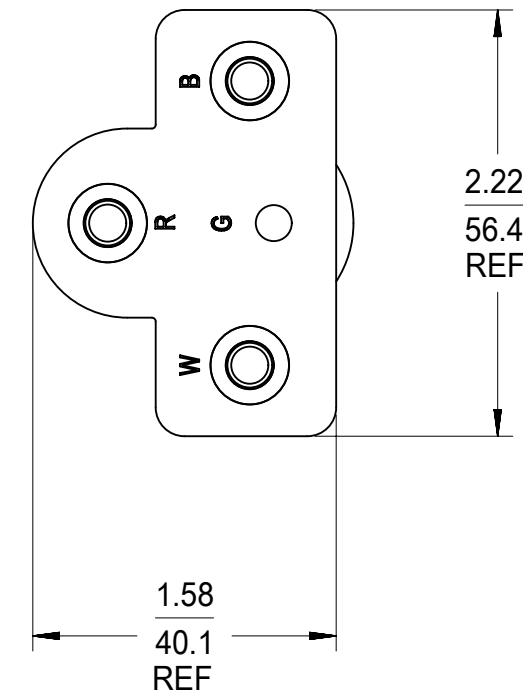
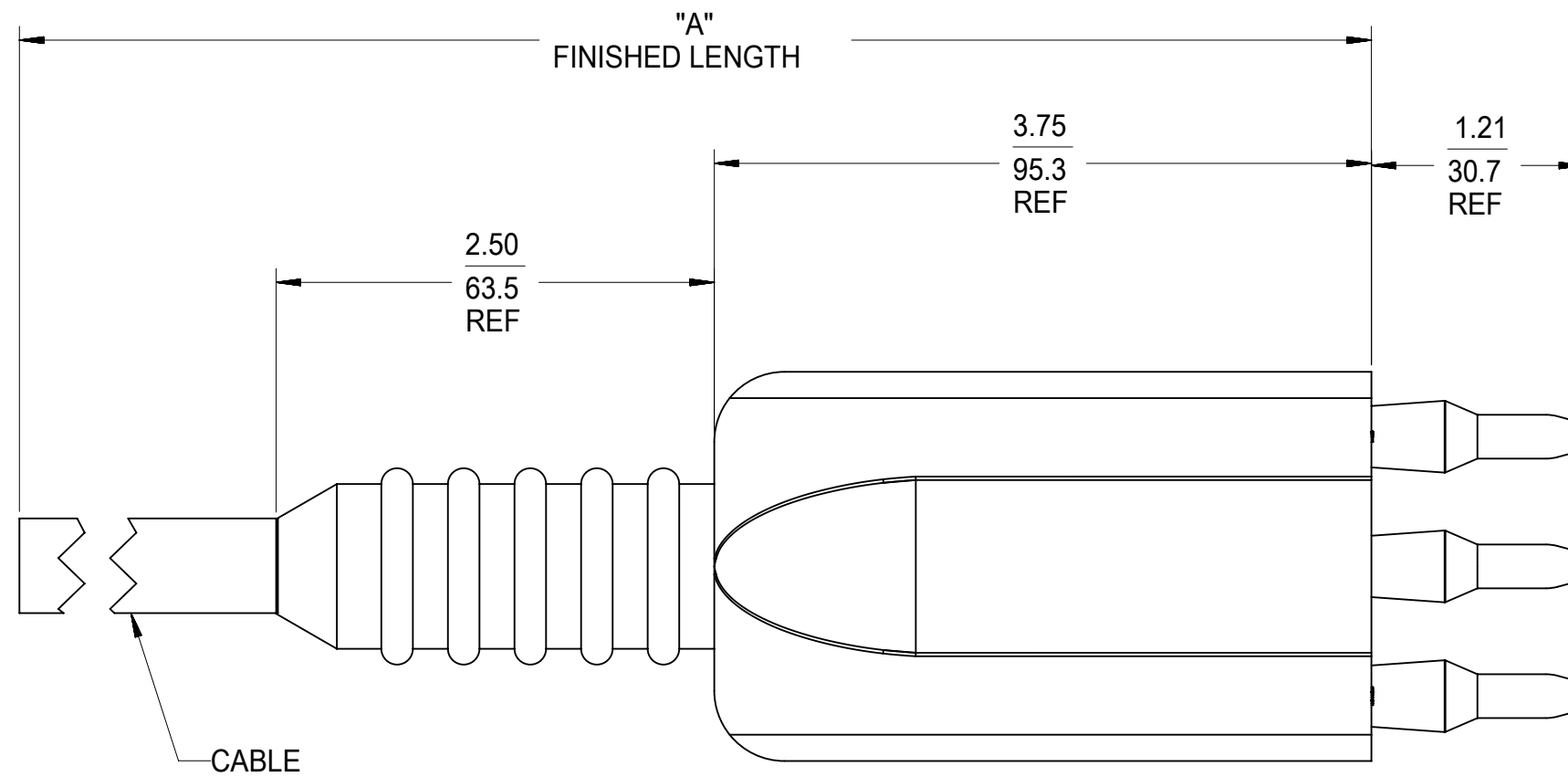
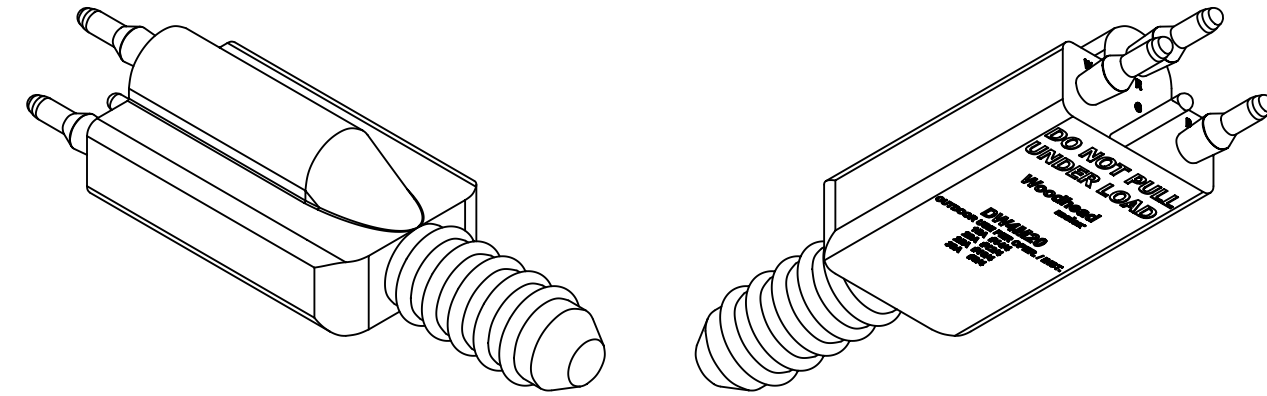


ASSEMBLY MATERIAL NUMBER	ENG. P/N	ASSEMBLY DESCRIPTION	"A" FINISHED LENGTH
1301500320	DW4M20	MALE OVERMOLD CABLE ASSEMBLY, #8/4	6 FT



NOTES:

- OVERMOLD MATERIAL: NEOPRENE OR CPE
- TERMINALS: COPPER ALLOY
- CABLE JACKET MATERIAL: NEOPRENE OR CPE
- CABLE IS MSHA LISTED.
- WARNING: DO NOT PULL UNDER LOAD.
- VOLTAGE RATING: 600 V MAX.
- CURRENT RATING:
  - 8AWG/4 CONDUCTOR - 30 AMPS
  - 10AWG/4 CONDUCTOR - 25 AMPS
  - 12AWG/4 CONDUCTOR - 20 AMPS
  - 14AWG/4 CONDUCTOR - 15 AMPS

THIS DRAWING CONTAINS INFORMATION THAT IS PROPRIETARY TO MOLEX ELECTRONIC TECHNOLOGIES, LLC AND SHOULD NOT BE USED WITHOUT WRITTEN PERMISSION									
DIMENSION UNITS	SCALE	CURRENT REV DESC: MIGRATE TO NX. UPDATE NOTE 1 AND 3.							
INCH	1:1								
GENERAL TOLERANCES (UNLESS SPECIFIED)		EC NO: 615559			MALE PLUG CABLE ASSEMBLY 15-30 AMPS, #8 - #14AWG				
ANGULAR TOL ± 2.0°		DRWN: WLEUNG 2019/04/12							
4 PLACES ±		CHK'D: DNGUYEN62 2019/04/22			PRODUCT CUSTOMER DRAWING				
3 PLACES ±		APPR: HKNEELAND 2019/04/23							
2 PLACES ±		INITIAL REVISION:			DOCUMENT NUMBER: SD-130150-001 DOC TYPE: PSD DOC PART: 001 REVISION: B1				
1 PLACE ± 0.03		DRWN: WLEUNG 2013/11/06							
0 PLACES ±		APPR: BWOODMAN 2013/12/27			MATERIAL NUMBER: SEE CHART CUSTOMER: GENERAL MARKET SHEET NUMBER: 1 OF 1				
DRAFT WHERE APPLICABLE MUST REMAIN WITHIN DIMENSIONS		THIRD ANGLE PROJECTION							

DOCUMENT STATUS	P1	RELEASE DATE	2019/04/23	19:56:36
-----------------	----	--------------	------------	----------