

ITEM	Q'TY	PART NUMBER	PART DESCRIPTION
1	1	FLPR-XX	Flexible Light Pipe Adapter, 90°, w/LED, See page 2 & 3.
2	1	LC-XX.X	Flexible Light-Pipe Lens Cap Assembly

NOTE: FLPR ADAPTER SHIPPED NON-ASSEMBLED

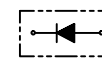
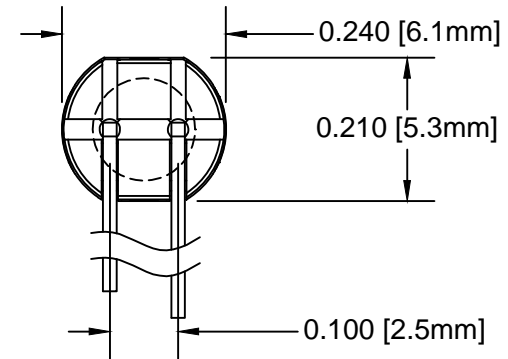


TABLE 1

" L " * *	Tolerance
1.0" ~ 16.0"	±0.050"
16.1" ~ 40.0"	±0.15"
40.1" ~ 80.0"	±0.30"
80.1" ~ 3,940.0"	±0.5%

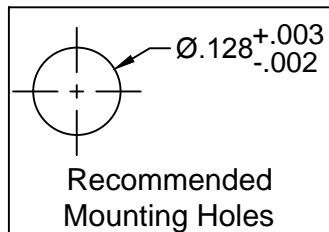
* Available in 0.1" increments only

REV.	DESCRIPTION	DATE	APPROVED
D	Added Shipping Note and Tolerance Table	04/17/06	M. C.
E	Changed Length From 2.5 to 0.5 at "L" Table	02/12/07	M. C.
F	Updated FLPC Hidden View and BOM	08/27/08	M. C.
G	LED Data Update	11/18/11	T. Y.
H	RP note added	02/09/12	T. Y.
J	Added the 3HC-F LED to page 2	02/09/12	T. Y.
K	Updated Table For Length "L"	11/15/12	T. Y.
L	Updated LED Tables	08/15/18	M. C.
M	Updated LED Tables	11/13/18	M. C.



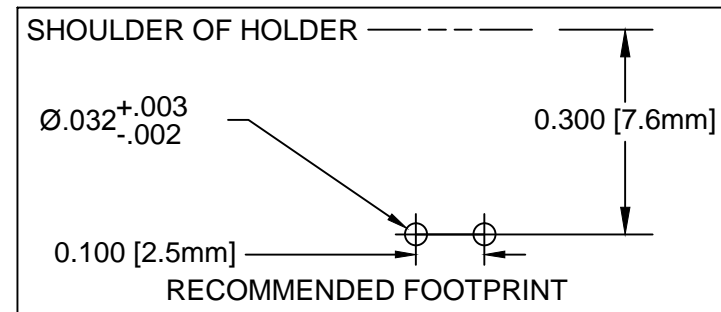
SINGLE COLOR LED
SHORT LEAD CATHODE

Add -RP suffix for Reverse Polarity



Recommended
Mounting Holes

SHORT LEAD CATHODE	LED PART NO.	LONG LEAD CATHODE
RED	3xBCC-F	GREEN
YELLOW	3BC-Y/G-F	GREEN



ABSOLUTE MAXIMUM RATINGS (Ta=25°C)

REVERSE VOLTAGE _____	5V
REVERSE CURRENT _____	100µA
OPERATING TEMPERATURE RANGE _____	-25° C - 85° C
STORAGE TEMPERATURE _____	-30° C - 100° C
LEAD SOLDERING TEMPERATURE(1/16" FROM BODY) _____	260° C FOR 5 SECONDS

STANDARD TOLERANCE (UNLESS OTHERWISE SPECIFIED)		BIVAR®	
DECIMALS	ANGULAR	4 THOMAS, IRVINE, CA. 92618	
.X ± .1	X° ± 1°	TEL: (949) 951-8808 FAX: (949) 951-3974	
.XX ± .02		TITLE: FLEXIBLE LIGHT-PIPE ASSY RIGHT ANGLE, 3mm LENS CAP W/LED	
.XXX ± .010		PART NO: FLPRX.X-XX	
DESIGNED: S. IRVING	DATE: 02/09/99	REVISION: M	
REVISED: K. BARON	DATE: 11/13/18	CAGE CODE: 32559	
CHECKED: TD. NGUYEN	DATE: 11/13/18	SCALE: NONE	
		SHEET # 1 OF 3	
CAD GENERATED DOCUMENT, DO NOT MEASURE DRAWING			

FLEXIBLE LP ASSY Part No.	ADAPTER Part No.	LED Part No.	Peak Wave Length	Emitted Color	Electro-Optical Data @ 20mA		
			λ_p (nm)		Vf (V)		Iv (mcd)
					TYP	MAX	TYP
FLPRX.X-SG	FLPR-SG	3SGC-F	568	SUPER GREEN	2.1	2.8	50
FLPRX.X-SY	FLPR-SY	3SYC-F	590	SUPER YELLOW	2.0	2.8	50
FLPRX.X-SR	FLPR-SR	3SRC-F	645	SUPER RED	1.7	2.4	60
FLPRX.X-UBW.6K	FLPR-UBW.6K	3UBWC-0.6K-F	470	BLUE	4.0	4.5	400
FLPRX.X-UT	FLPR-UT	3UTC-F	500	TURQUOISE	3.5	4.0	800
FLPRX.X-UG	FLPR-UG	3UGC-F	570	GREEN	2.1	2.4	200
FLPRX.X-SUG	FLPR-SUG	3SUGC-F	570	GREEN	2.1	2.4	300
FLPRX.X-UY	FLPR-UY	3UYC-F	590	YELLOW	2.0	2.4	300
FLPRX.X-UR	FLPR-UR	3URC-F	645	RED	1.7	2.4	200
FLPRX.X-SUR	FLPR-SUR	3SURC-F	640	RED	1.8	2.4	200
FLPRX.X-UW.6K	FLPR-UW.6K	3UWC1.035C-F	-	WHITE	3.2	3.6	6000

VISIT WWW.BIVAR.COM FOR CURRENT LED DATASHEETS
LED DETAILS ON DATASHEETS TAKE PRECEDENCE OVER DETAILS SHOWN HERE



FLEXIBLE LP ASSY Part No.	Adapter Part No.	LED Part No.	Peak Wave Length λ_p (nm)	Emitted Color	Electro-Optical Data @ 20mA		
					Vf (V)		Iv (mcd)
					TYP	MAX	TYP
FLPRX.X-BC	FLPR-BC	3BCC-F	625	HE RED	2.0	2.8	8
			568	GREEN	2.1	2.8	8
FLPRX.X-SBC	FLPR-SBC	3SBCC-F	645	SUPER RED	1.7	2.4	100
			568	HE GREEN	2.1	2.8	60

VISIT WWW.BIVAR.COM FOR CURRENT LED DATASHEETS
 LED DETAILS ON DATASHEETS TAKE PRECEDENCE OVER DETAILS SHOWN HERE

