

| ITEM | Q'TY | PART NUMBER | PART DESCRIPTION   |
|------|------|-------------|--|
| 1    | 1    | FLPR-XX     | Flexible Light Pipe Adapter, 90°, w/LED, See page 2 & 3. |
| 2    | 1    | LC-XX.X     | Flexible Light-Pipe Lens Cap Assembly                    |

NOTE: FLPR ADAPTER SHIPPED NON-ASSEMBLED

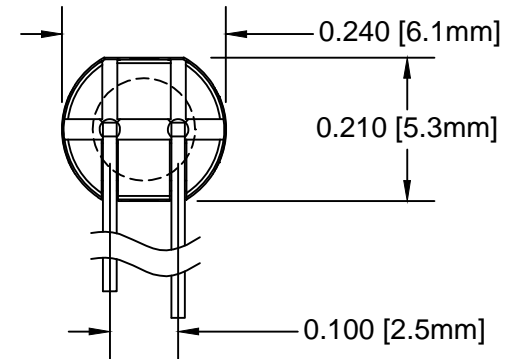


| SHORT LEAD CATHODE | LED PART NO. | LONG LEAD CATHODE |
|--------------------|--------------|-------------------|
| RED                | 3xBCC-F      | GREEN             |
| YELLOW             | 3BC-Y/G-F    | GREEN             |

### ABSOLUTE MAXIMUM RATINGS (Ta=25°C)

|   |                      |
|---|----------------------|
| REVERSE VOLTAGE                             | 5V                   |
| REVERSE CURRENT                             | 100µA                |
| OPERATING TEMPERATURE RANGE                 | -25° C - 85° C       |
| STORAGE TEMPERATURE                         | -30° C - 100° C      |
| LEAD SOLDERING TEMPERATURE(1/16" FROM BODY) | 260° C FOR 5 SECONDS |

| REV. | DESCRIPTION                                 | DATE     | APPROVED |
|------|---|----------|----------|
| D    | Added Shipping Note and Tolerance Table     | 04/17/06 | M. C.    |
| E    | Changed Length From 2.5 to 0.5 at "L" Table | 02/12/07 | M. C.    |
| F    | Updated FLPC Hidden View and BOM            | 08/27/08 | M. C.    |
| G    | LED Data Update                             | 11/18/11 | T. Y.    |
| H    | RP note added                               | 02/09/12 | T. Y.    |
| J    | Added the 3HC-F LED to page 2               | 02/09/12 | T. Y.    |
| K    | Updated Table For Length "L"                | 11/15/12 | T. Y.    |
| L    | Updated LED Tables                          | 08/15/18 | M. C.    |
| M    | Updated LED Tables                          | 11/13/18 | M. C.    |



SINGLE COLOR LED  
SHORT LEAD CATHODE

Add -RP suffix for Reverse Polarity



| STANDARD TOLERANCE (UNLESS OTHERWISE SPECIFIED) |                | BIVAR®   |                |
|---|----------------|--|----------------|
| DECIMALS  | ANGULAR        | 4 THOMAS, IRVINE, CA. 92618  |                |
| .X ± .1   | X° ± 1°        | TEL: (949) 951-8808 FAX: (949) 951-3974                            |                |
| .XX ± .02                                       |                | TITLE: FLEXIBLE LIGHT-PIPE ASSY<br>RIGHT ANGLE, 3mm LENS CAP W/LED |                |
| .XXX ± .010                                     |                | PART NO: FLPRX.X-XX  | REVISION: M    |
| DESIGNED: S. IRVING                             | DATE: 02/09/99 | CAGE CODE: 32559   |                |
| REVISED: K. BARON                               | DATE: 11/13/18 | SCALE: NONE  | SHEET # 1 OF 3 |
| CHECKED: TD. NGUYEN                             | DATE: 11/13/18 | CAD GENERATED DOCUMENT, DO NOT MEASURE DRAWING                     |                |

| FLEXIBLE LP ASSY<br>Part No. | ADAPTER<br>Part No. | LED Part No. | Peak Wave<br>Length | Emitted Color | Electro-Optical<br>Data @ 20mA |     |             |
|------------------------------|---------------------|--------------|---------------------|---------------|--------------------------------|-----|-------------|
|                              |                     |              | $\lambda_p$ (nm)    |               | Vf<br>(V)                      |     | Iv<br>(mcd) |
|                              |                     |              |                     |               | TYP                            | MAX | TYP         |
| FLPRX.X-SG                   | FLPR-SG             | 3SGC-F       | 568                 | SUPER GREEN   | 2.1                            | 2.8 | 50          |
| FLPRX.X-SY                   | FLPR-SY             | 3SYC-F       | 590                 | SUPER YELLOW  | 2.0                            | 2.8 | 50          |
| FLPRX.X-SR                   | FLPR-SR             | 3SRC-F       | 645                 | SUPER RED     | 1.7                            | 2.4 | 60          |
| FLPRX.X-UBW.6K               | FLPR-UBW.6K         | 3UBWC-0.6K-F | 470                 | BLUE          | 4.0                            | 4.5 | 400         |
| FLPRX.X-UT                   | FLPR-UT             | 3UTC-F       | 500                 | TURQUOISE     | 3.5                            | 4.0 | 800         |
| FLPRX.X-UG                   | FLPR-UG             | 3UGC-F       | 570                 | GREEN         | 2.1                            | 2.4 | 200         |
| FLPRX.X-SUG                  | FLPR-SUG            | 3SUGC-F      | 570                 | GREEN         | 2.1                            | 2.4 | 300         |
| FLPRX.X-UY                   | FLPR-UY             | 3UYC-F       | 590                 | YELLOW        | 2.0                            | 2.4 | 300         |
| FLPRX.X-UR                   | FLPR-UR             | 3URC-F       | 645                 | RED           | 1.7                            | 2.4 | 200         |
| FLPRX.X-SUR                  | FLPR-SUR            | 3SURC-F      | 640                 | RED           | 1.8                            | 2.4 | 200         |
| FLPRX.X-UW.6K                | FLPR-UW.6K          | 3UWC1.035C-F | -                   | WHITE         | 3.2                            | 3.6 | 6000        |

VISIT [WWW.BIVAR.COM](http://WWW.BIVAR.COM) FOR CURRENT LED DATASHEETS  
LED DETAILS ON DATASHEETS TAKE PRECEDENCE OVER DETAILS SHOWN HERE

FLEXIBLE LIGHT PIPE SERIES **FLPR X.X - XXX**

Emitted Colors

"L" LENGTH, inches  
available in 0.1" increments only  
e.g. 6.0, 11.5

| FLEXIBLE LP ASSY<br>Part No. | Adapter Part No. | LED Part No. | Peak Wave<br>Length<br>$\lambda_p$ (nm) | Emitted Color | Electro-Optical Data<br>@ 20mA |     |             |
|------------------------------|------------------|--------------|---|---------------|--------------------------------|-----|-------------|
|                              |                  |              |   |               | Vf<br>(V)                      |     | Iv<br>(mcd) |
|                              |                  |              |   |               | TYP                            | MAX | TYP         |
| FLPRX.X-BC                   | FLPR-BC          | 3BCC-F       | 625                                     | HE RED        | 2.0                            | 2.8 | 8           |
|                              |                  |              | 568                                     | GREEN         | 2.1                            | 2.8 | 8           |
| FLPRX.X-SBC                  | FLPR-SBC         | 3SBCC-F      | 645                                     | SUPER RED     | 1.7                            | 2.4 | 100         |
|                              |                  |              | 568                                     | HE GREEN      | 2.1                            | 2.8 | 60          |

VISIT [WWW.BIVAR.COM](http://WWW.BIVAR.COM) FOR CURRENT LED DATASHEETS  
 LED DETAILS ON DATASHEETS TAKE PRECEDENCE OVER DETAILS SHOWN HERE

FLEXIBLE LIGHT PIPE SERIES FLPR X.X - XXX

Emitted Colors

"L" LENGTH, inches  
available in 0.1" increments only  
e.g. 6.0, 11.5