

SPECIFICATIONS

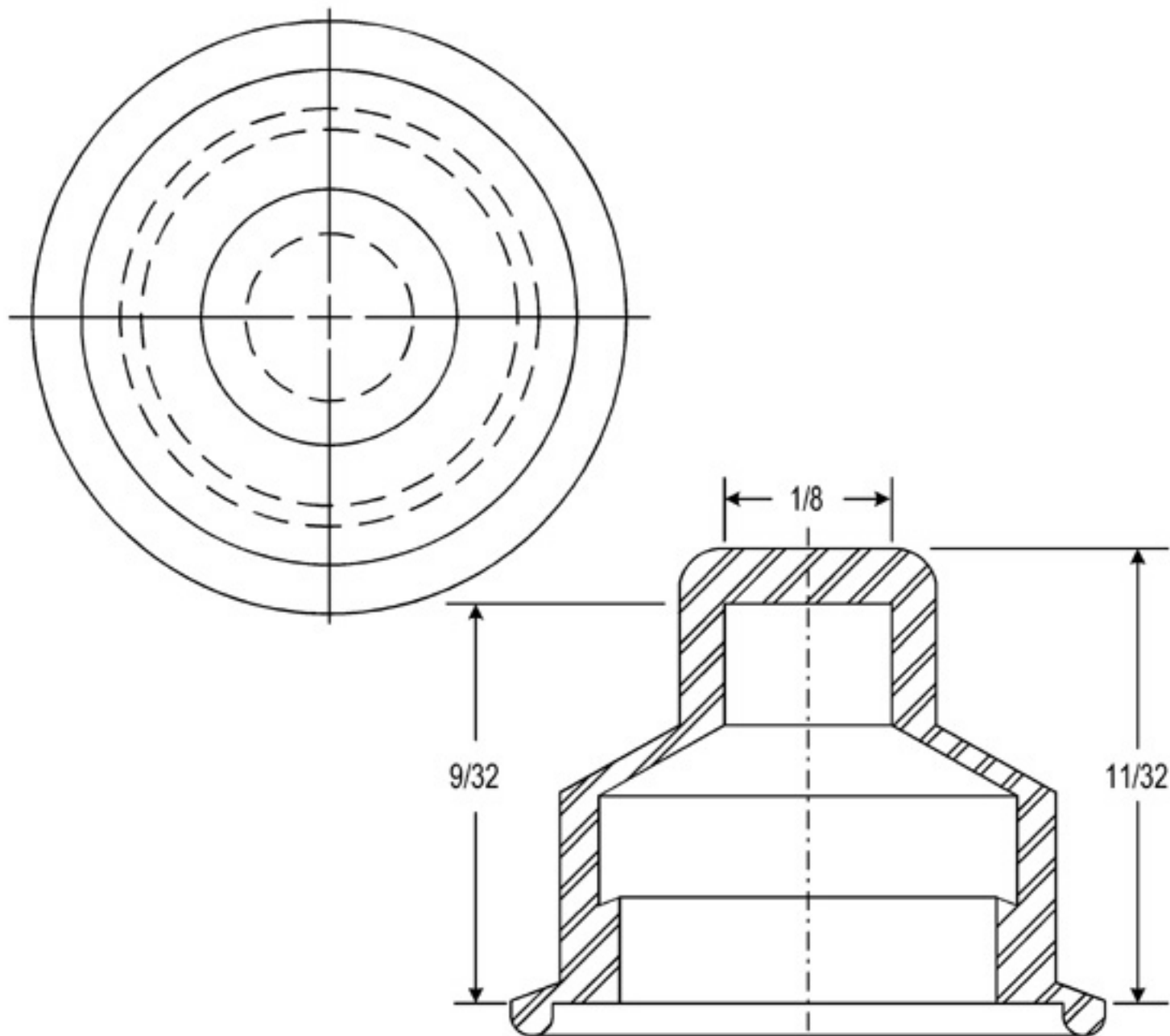
Material: Boot: Neoprene.

Color: black (other materials and colors available on special order.)

Temperature Range: -65°F to +300°F

Shelf Life: 2 years.

Installation: A. Mount the switch using SNAPSEEL® shouldered mounting nut.
B. Press SNAPSEEL® over switch actuator and snap over nut.



NOTE: MOUNTING NUT NOT INCLUDED - PURCHASE SEPARATELY IF NEEDED.

C CAD COMPUTER GENERATED

9/23/02

REV. DESCRIPTION

DATE

MAXIMUM AND MINIMUM MEASUREMENTS ARE STATED DIRECTLY ON EACH DIMENSION.

MAT'L: NEOPRENE

TITLE: SNAPSEEL® FOR PUSH-BUTTON SUB-MINIATURE SWITCHES (1211/32)

ENG.

DWN.

CHKD.

M.M.

10-8-86

FINISH: BLACK

APM-HEXSEAL CORPORATION

SCALE

10:1

DWG. NO.

1211/32

THIS DRAWING COVERS PROPRIETARY ITEM AND IS THE PROPERTY OF THE APM-HEXSEAL CORPORATION. THIS DRAWING IS NOT TO BE COPIED OR USED WITHOUT THE WRITTEN APPROVAL OF AN OFFICER OF THE APM-HEXSEAL CORPORATION.