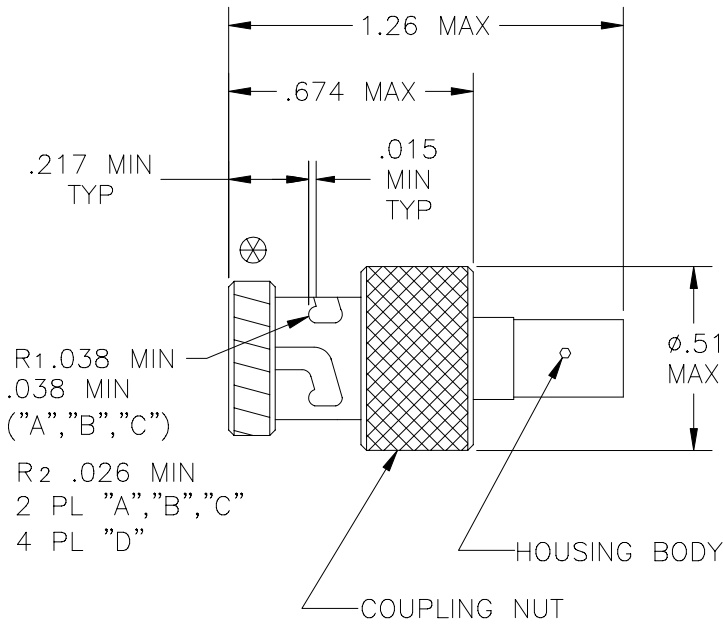
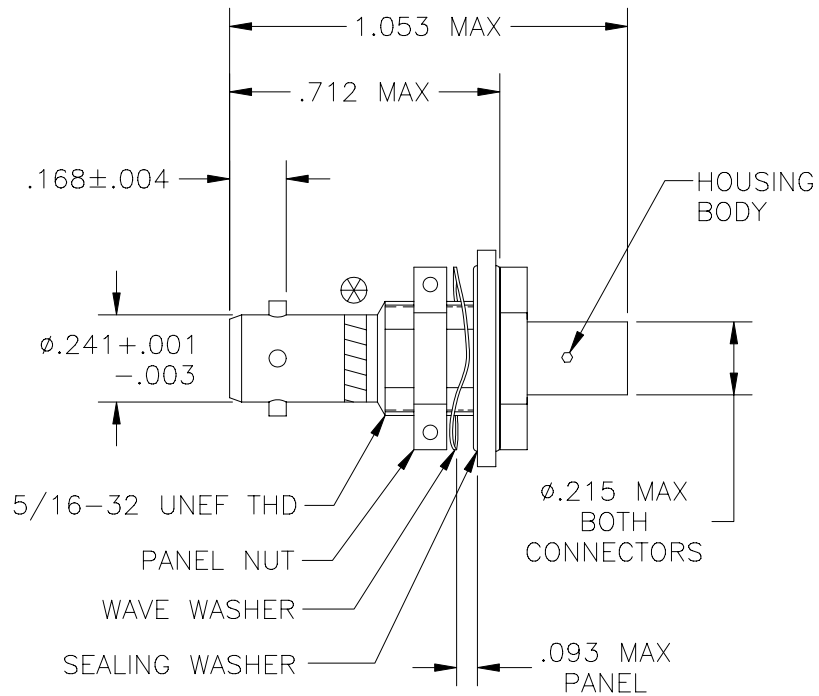


If this document is printed it becomes uncontrolled.
Check for the latest revision.

		REVISION	
REV	DESCRIPTION	DATE	
C	REVISED PER DCR NUMBER T-17626	92JUL21	
D	REVISED PER DCR NUMBER T-17978		
E	REVISED PER DCR NUMBER T-31787	5/9/03	

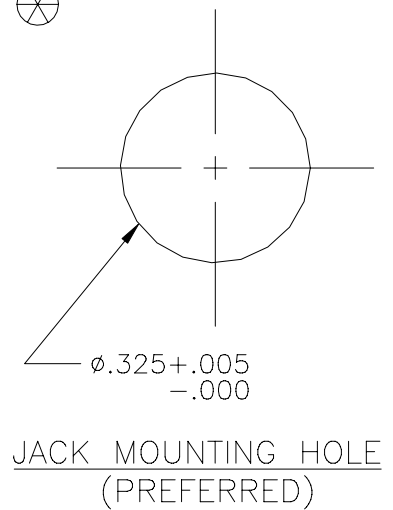


PLUG



JACK

CONNECTOR		INTERFACE		COLOR CODE	
D-621-0433	PLUG	"A"	PER FIGURE 1	RED	
D-621-0434	JACK	"A"	PER FIGURE 2	RED	
D-621-0435	PLUG	"B"	PER FIGURE 3	WHITE	
D-621-0436	JACK	"B"	PER FIGURE 4	WHITE	
D-621-0437	PLUG	"C"	PER FIGURE 5	GREEN	
D-621-0438	JACK	"C"	PER FIGURE 6	GREEN	
D-621-0439	PLUG	"D"	PER FIGURE 7	N/A	
D-621-0440	JACK	"D"	PER FIGURE 8	N/A	



SPECIFICATION CONTROL DRAWING

UNLESS OTHERWISE SPECIFIED DIMENSIONS ARE INCHES. METRIC DIMENSIONS ARE IN BRACKETS.

DRAWN: LOVATO DATE: 88APR10

tyco *Raychem*
Electronics **Products**
Tyco Electronics
305 CONSTITUTION DRIVE
MENLO PARK, CALIFORNIA 94025

DECIMAL TOLERANCES
.XXX ± --- [--- mm]
.XX ± --- [--- mm]
.X ± --- [--- mm]

ANGLE TOLERANCE
.X ± ---

WEIGHT
SEE NOTES

MATERIAL: _____
FINISH: _____

TITLE
CONNECTOR, TRIAXIAL
SUBMINIATURE
BAYONET COUPLED

THIRD ANGLE PROJECTION

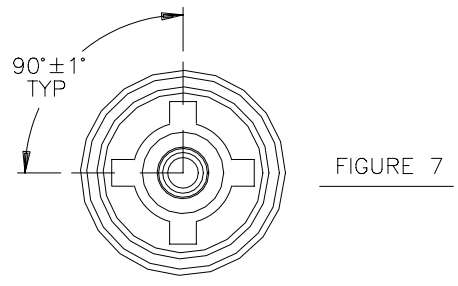
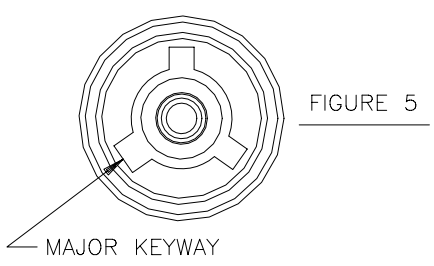
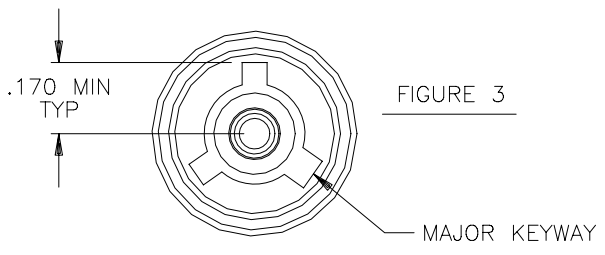
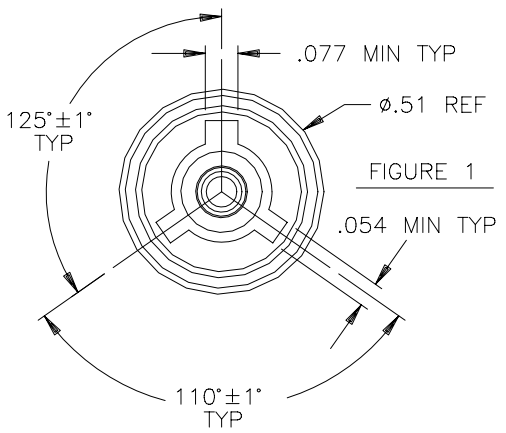
SIZE: A CODE IDENT. NO.: 06090 DWG. NO.: D-621-0433/0440

CAD FILE: T31787A

PLUG

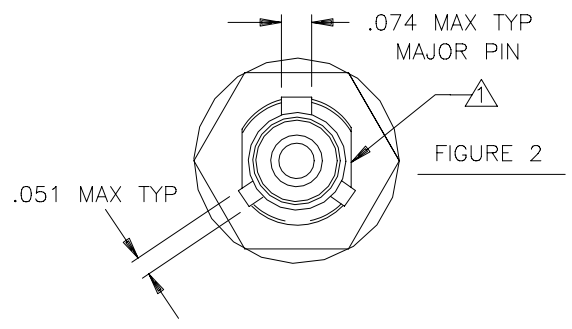
INTERFACE

JACK

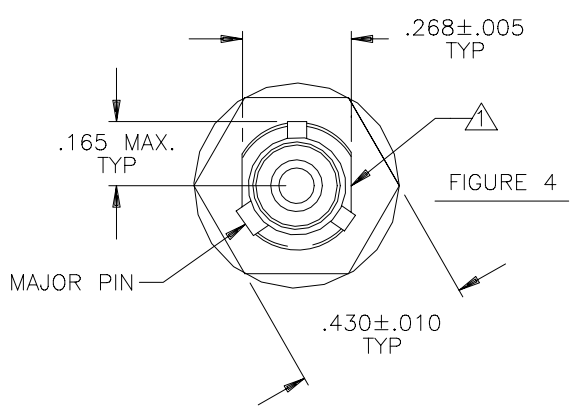


R1 = R2 = .026 MIN 4 PL

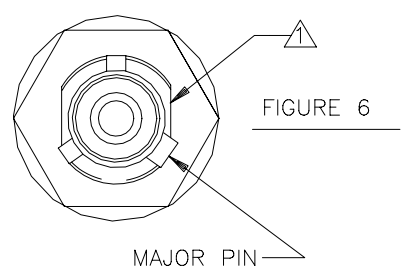
A



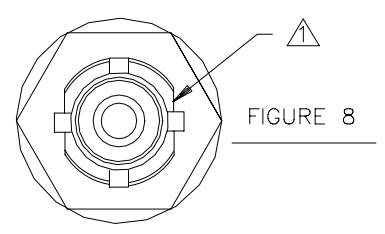
B



C



D



1 MAJOR KEY ORIENTATION WITH RESPECT TO FLATS IS NOT CONTROLLED.

SPECIFICATION CONTROL DRAWING

DRAWN	RDL	88APR10	SIZE	CODE IDENT. NO.	DWG. NO.	REV
CAD FILE:T31787B			A	06090	D-621-0433/0440	E
			DO NOT SCALE THIS DRAWING		SCALE: NONE	SHEET 2 OF 3

1.0 MATERIALS AND FINISHES

- 1.1 HOUSING BODY: BECU PER ASTM-B196 AND 197, TIN PLATED
PER ASTM-B545, OVER NICKEL PER MIL-C-26074
- 1.2 COUPLING NUT:
(PLUG) BECU PER ASTM-B196 AND 197, TIN PLATED
PER ASTM-B545, OVER NICKEL PER MIL-C-26074
- 1.3 PANEL NUT:
(JACK) BRASS ALLOY PER ASTM-B16, TIN PLATED PER ASTM-B545
OVER NICKEL PER MIL-C-26074
- 1.4 WAVE WASHER:
(JACK) BECU PER ASTM-B194, TIN PLATED PER ASTM-B545
OVER NICKEL PER M-C-26074.
- 1.5 INSULATION (MIP): POLYETHERSULFONE
- 1.6 INTERFACIAL SEAL: SILICONE RUBBER
- 1.7 SEALING WASHER: SILICONE PER A-A-59588 (SAE-AMS3304); STAINLESS STEEL
PER SAE-AMS5513 HALF HARD OR ANNEALED,
PASSIVATED PER SAE AMS-QQ-P-35

2.0 PERFORMANCE CAPABILITIES

2.1 QUALIFIED TO TYCO ELECTRONICS/RAYCHEM SPECIFICATION D-6025.

2.2 GENERAL CHARACTERISTICS

- 2.2.1 OPERATING TEMPERATURE: -65°C TO 125°C
- 2.2.2 INSULATION RESISTANCE: GREATER THEN 5K MEG
- 2.2.3 DIELECTRIC STRENGTH: 900 VAC @ 60 Hz
- 2.2.4 CURRENT RATING: 3 AMPS MAX
- 2.2.5 SALT SPRAY CORROSION RESISTANCE: 1000 HOURS.

3.0 CONTACTS/CABLE CONSTRUCTIONS

3.1 THE CONNECTORS WILL ACCOMMODATE THE FOLLOWING TYCO ELECTRONICS/RAYCHEM CONTACTS:

<u>PART No.</u>	<u>CABLE TYPE</u>	<u>CONTACT DESCRIPTION</u>
D-602-44	TRIAxIAL	SHIELDED PIN
D-602-45	TRIAxIAL	SHIELDED SOCKET
D-602-0126	TWINAXIAL	SHIELDED, TWISTED PAIR, PIN
D-602-0127	TWINAXIAL	SHIELDED, TWISTED PAIR, SOCKET
D-610-09	COAXIAL	POWER, PIN
D-610-10	COAXIAL	POWER, SOCKET

4.0 TERMINATION PROCEDURE: TYCO ELECTRONICS/RAYCHEM ES-61162

SPECIFICATION CONTROL DRAWING

DRAWN	RDL	88APR10	SIZE	CODE IDENT. NO.	DWG. NO.	REV
CAD FILE:T31787C			A	06090	D-621-0433/0440	E
DO NOT SCALE THIS DRAWING				SCALE: NONE		SHEET 3 OF 3