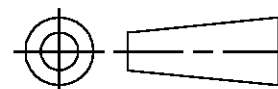


DO NOT SCALE
DIMENSIONS IN mm

METRIC

THIRD ANGLE
PROJECTION



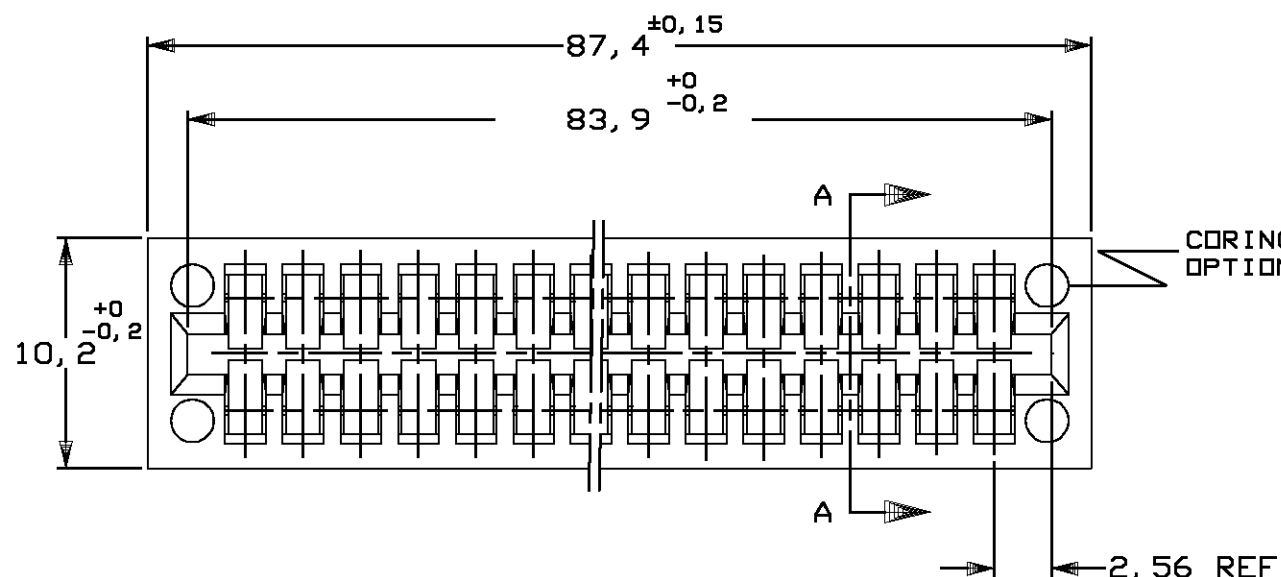
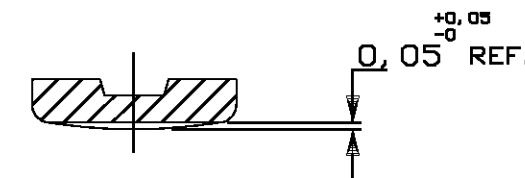
NOTES:

1 CONTACT AREA TO BE LUBRICATED WITH LUBRICATION (ELECTROLUBE 2X) MIN. 110mg/1000 CONTACTS MAX. 200mg/1000 CONTACTS

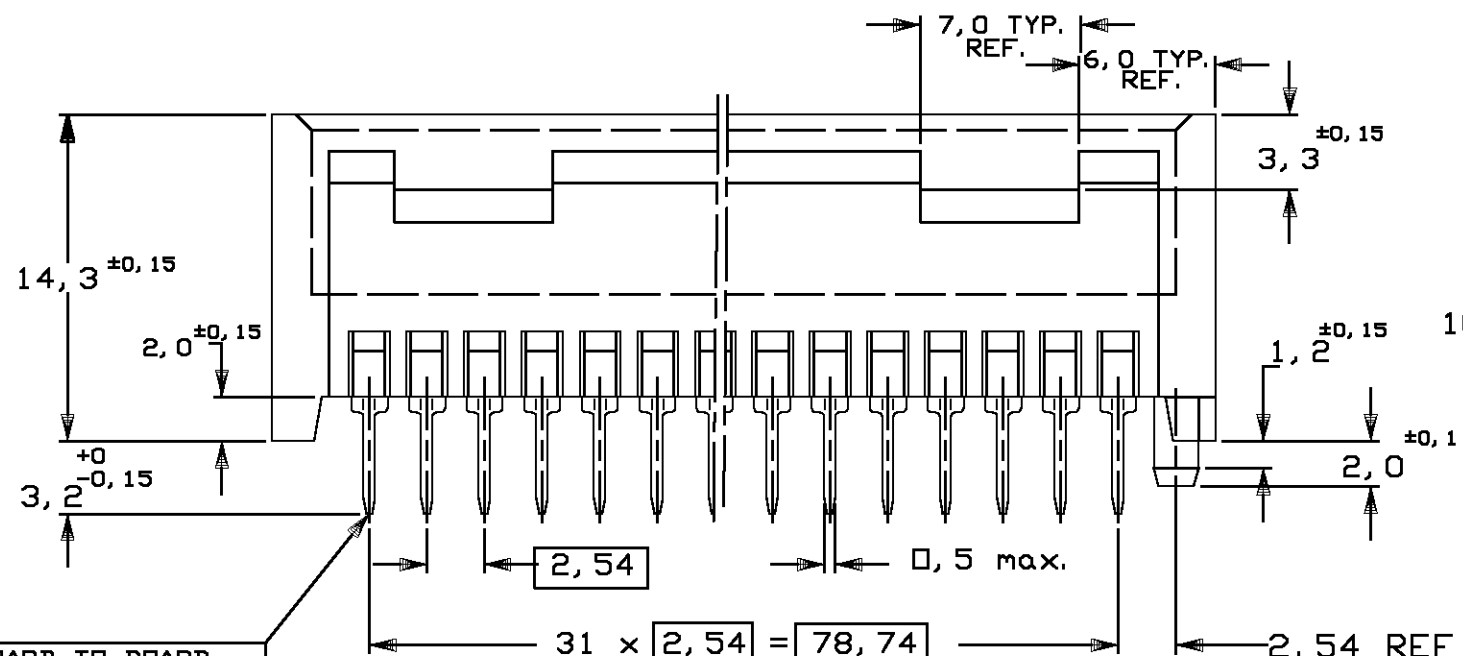
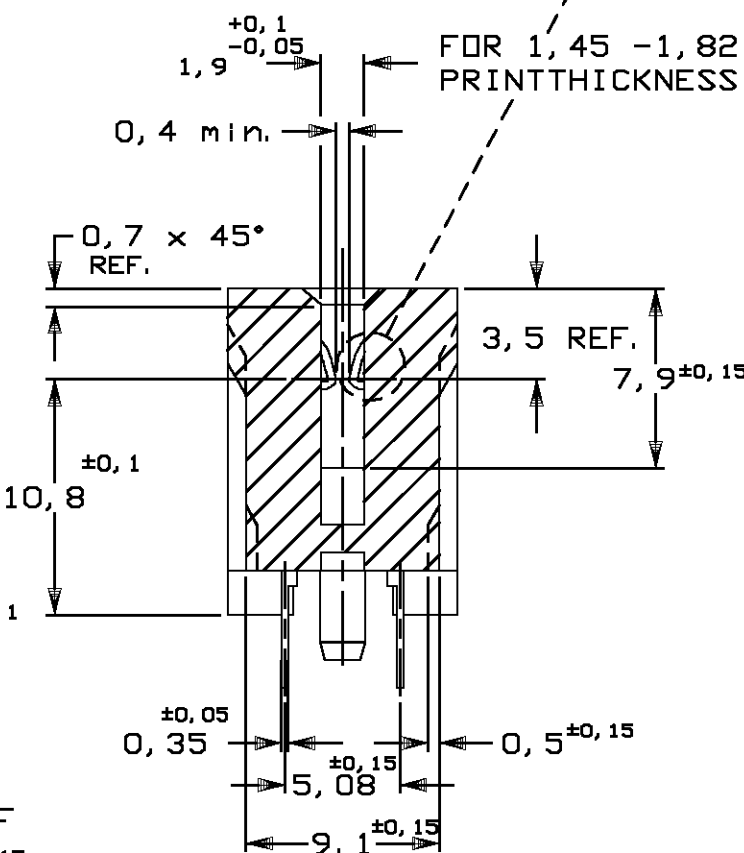
2. PACKAGING: ON PLASTIC TUBES, BOXED

3 CONTACT SPRING MUST HAVE SPHERICAL SHAPE IN THIS AREA, HOLLOW FORM NOT PERMITTED. SPHERICAL SHAPE DIM. AT CONTACT POINT AS DETAILED:

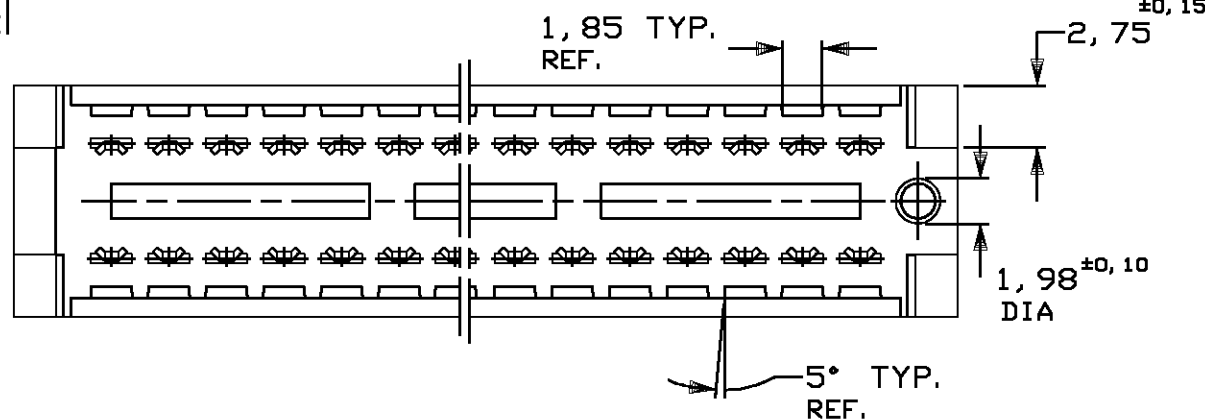
4. PRODUCT SPECIFICATION: 108-19043



SECTION A-A



BOARD TO BOARD CONTACTS FOR 0,8 MIN. DIA HOLE



CONTACT: TOTAL AREA 3,0µm MIN TIN OVER 1,25µm MIN NICKEL UNDERLAYER				HOUSING: THERMOPLASTIC POLYESTER 20% GLF UL 94V0 COLOUR: GREEN CONTACT: PH. BRONZE H06 (CuSn4)		3-100318-2	
FINISH				MATERIAL		PART NUMBER	
D2 ET00-0047-04 D. C. C. T. 05MAR2004				CUSTOMER DRAWING		FOR REFERENCE ONLY WILL NOT BE UPDATED	
D1 ET00-0115-03 D. C. C. T. 04JUL2003				C COPYRIGHT 19- BY AMP HOLLAND B. V.		ALL INTERNATIONAL RIGHTS RESERVED. AMP PRODUCTS MAY BE COVERED BY U. S. AND FOREIGN AND/OR PATENTS PENDING.	
D ET00-0068-03 P. B D. C 09-05-03				THIS DRAWING IS UNPUBLISHED RELEASED FOR PUBLICATION		, 19	
C H-9473 R. D. N. S. 24-01-92				tyco Electronics		tyco Electronics AMP Italia S.p.A. C.so F.lli Cervi, 15 - Collegno (TO)	
B H-9302 R. D. N. S. 19-12-91				NAME		32 POS. 2,54 CENTRE AMP EDGE CONN. ASS'Y DUAL LOADED WITH B. T. B. CONT.	
A H-9302 J. v. L N. S. 07-11-91				LTR. REVISION RECORD		DR. CHK. DATE	
DR. S. MEUWSEN		CHK. N. SOUSA		APP. L. v. SOEST.		DWG. No.	
DATE: 27 MAR 1991		DATE: 07. 11. 91		DATE: 25. 11. 91		C-100318	
						REV. LTR. SHEET SIZE	
						D2 1 OF 1 A3	

8

7

6

5

4

3

2

1