



DC POWER CONNECTORS: KLDVX-SMT Series

Vertical Surface Mount DC Power Jack

Product Features

- 2.0mm and 2.5mm
- Mounts Perpendicular to PCB
- Built in DC On/Off Switch
- Packaged in Tape & Reel for Automated Assembly
- CSA/NRTL Certified File No. LR78160
- UL File No. E140125

Performance Specifications

Materials and Finish

- Plastic Housing:
 - High Temperature Thermoplastic,
 - UL94V-0 Rated, Black Color
- Center Pin:** Copper Alloy, Nickel Plated
- Contact #2:** Phosphor Bronze, Silver Plated
- Contact #1 and #3:** Brass, Silver Plated

Electrical Characteristics

Contact Resistance

- Before Durability Test**
- Between Terminals:** 30 milliohms Max.
- Plug to Contacts:** 50 milliohms Max.

After Durability Test

- Between Terminals:** 60 milliohms Max.
- Plug to Contacts:** 100 milliohms Max.

Rated Voltage: 16V DC

Rated Current: 3.5A

Insulation Resistance: 100 Megohms Min. at 500V DC

Dielectric Withstanding Voltage:

500V AC RMS for 1 Minute

Mechanical Characteristics

- Durability Test:** 5000 Cycles
- Insertion Force:** 0.3kg - 3.0kg
- Extraction Force:** 0.3kg - 3.0kg
- Operating Temperature:** -25°C to +85°C

2D Drawing	IGES	STEP	3D PDF
Solder Profile	CofC RoHS Compliant	CofC REACH Compliant	UL Plastic File
Certificate of Origin	Check Stock	Request a Sample	Send Us An Email

Generated Part Number

Part Number Builder

	-		
Series		Diameter	Packaging Option

Series

KLDVX-SMT-02 - Vertical Surface Mount DC Power Jack

Diameter

- A - 2.0mm Center Pin Diameter
- B - 2.5mm Center Pin Diameter

Packaging Option

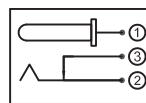
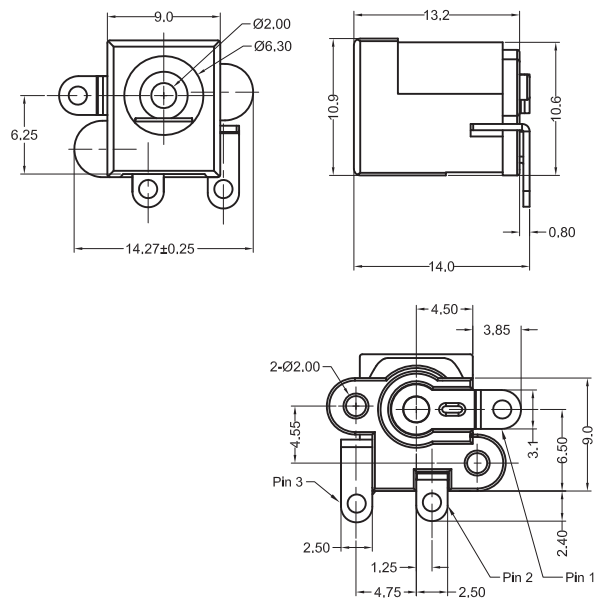
TR - Tape and Reel

Contact Kycon For Other Options

KLDVX-SMT Series

Dimensions in mm

KLDVX-SMT-02-A



Schematic