



## DC POWER CONNECTORS: KLDVX-SMT Series

Vertical Surface Mount DC Power Jack

### Product Features

2.0mm and 2.5mm

Mounts Perpendicular to PCB

Built in DC On/Off Switch

Packaged in Tape & Reel for Automated Assembly

CSA/NRTL Certified File No. LR78160

UL File No. E140125

### Performance Specifications

#### Materials and Finish

Plastic Housing:

High Temperature Thermoplastic,

UL94V-0 Rated, Black Color

**Center Pin:** Copper Alloy, Nickel Plated

**Contact #2:** Phosphor Bronze, Silver Plated

**Contact #1 and #3:** Brass, Silver Plated

### Electrical Characteristics

#### Contact Resistance

#### Before Durability Test

**Between Terminals:** 30 milliohms Max.

**Plug to Contacts:** 50 milliohms Max.

#### After Durability Test

**Between Terminals:** 60 milliohms Max.

**Plug to Contacts:** 100 milliohms Max.

**Rated Voltage:** 16V DC

**Rated Current:** 3.5A

**Insulation Resistance:** 100 Megohms Min. at 500V DC

#### Dielectric Withstanding Voltage:

500V AC RMS for 1 Minute

### Mechanical Characteristics

**Durability Test:** 5000 Cycles

**Insertion Force:** 0.3kg - 3.0kg

**Extraction Force:** 0.3kg - 3.0kg

**Operating Temperature:** -25°C to +85°C

2D Drawing	IGES	STEP	3D PDF
Solder Profile	CofC RoHS Compliant	CofC REACH Compliant	UL Plastic File
Certificate of Origin	Check Stock	Request a Sample	Send Us An Email

Generated Part Number

Part Number Builder

<input type="text"/>	-	<input type="text"/>	<input type="text"/>
Series		Diameter	Packaging Option

#### Series

KLDVX-SMT-02 - Vertical Surface Mount DC Power Jack

#### Diameter

A - 2.0mm Center Pin Diameter

B - 2.5mm Center Pin Diameter

#### Packaging Option

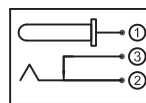
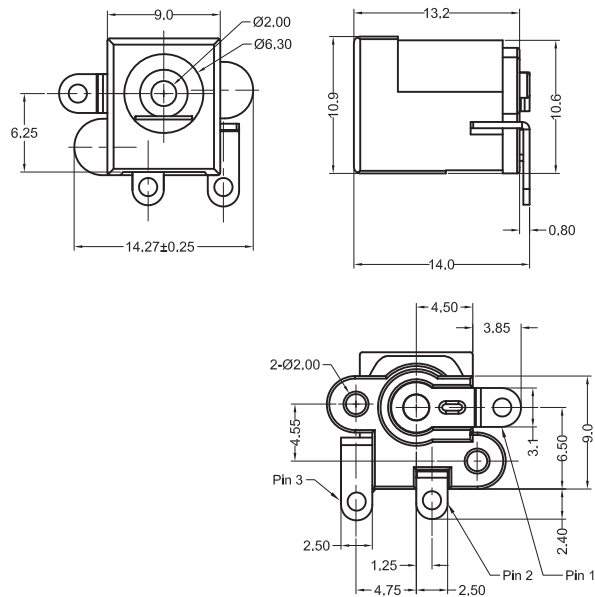
TR - Tape and Reel

Contact Kycon For Other Options

### KLDVX-SMT Series

Dimensions in mm

#### KLDVX-SMT-02-A



Schematic