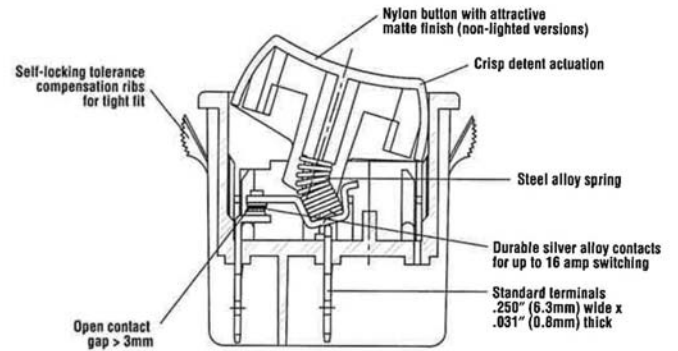


Double-Pole Rocker Switch WR Series



Features

- Rugged design for 2-pole high current designs
- Lighted and non-lighted
- Maintained action and momentary
- Single pole and double pole

Electrical Ratings				
Switch Series	EN61058 Rating	UL1054 Rating	Electrical Life at Rated Load	
			According to VDE (Min. Operations)	According to UL (Min. Operations)
WRG	16(4)A 250V~T125/55	16A 125/250 VAC 1/4HP 3/4HP 250VAC	10,000	6,000

Electrical Specifications		Material Specifications	
Ratings (WRG) :	16A 125/250 VAC 1/4HP 3/4HP 250VAC (cULus) 16(4)A 250V~T125/55 (VDE)	Actuator (non-lighted): (lighted):	Nylon 66 94V-2 Polycarbonate
		Base:	Nylon 66 94V-2
Dielectric Strength:	1000VAC for 1 minute	Spring:	Steel Wire
Insulation Resistance:	100M ohms min at 500VDC	Contacts:	Silver Alloy
Initial Contact Resistance:	0.020 ohms max	Movable Arm:	Silver-Plated Copper Alloy
Temperature Range:	0°C to + 65°C (UL)	Terminals:	Tin-Plated Copper Alloy

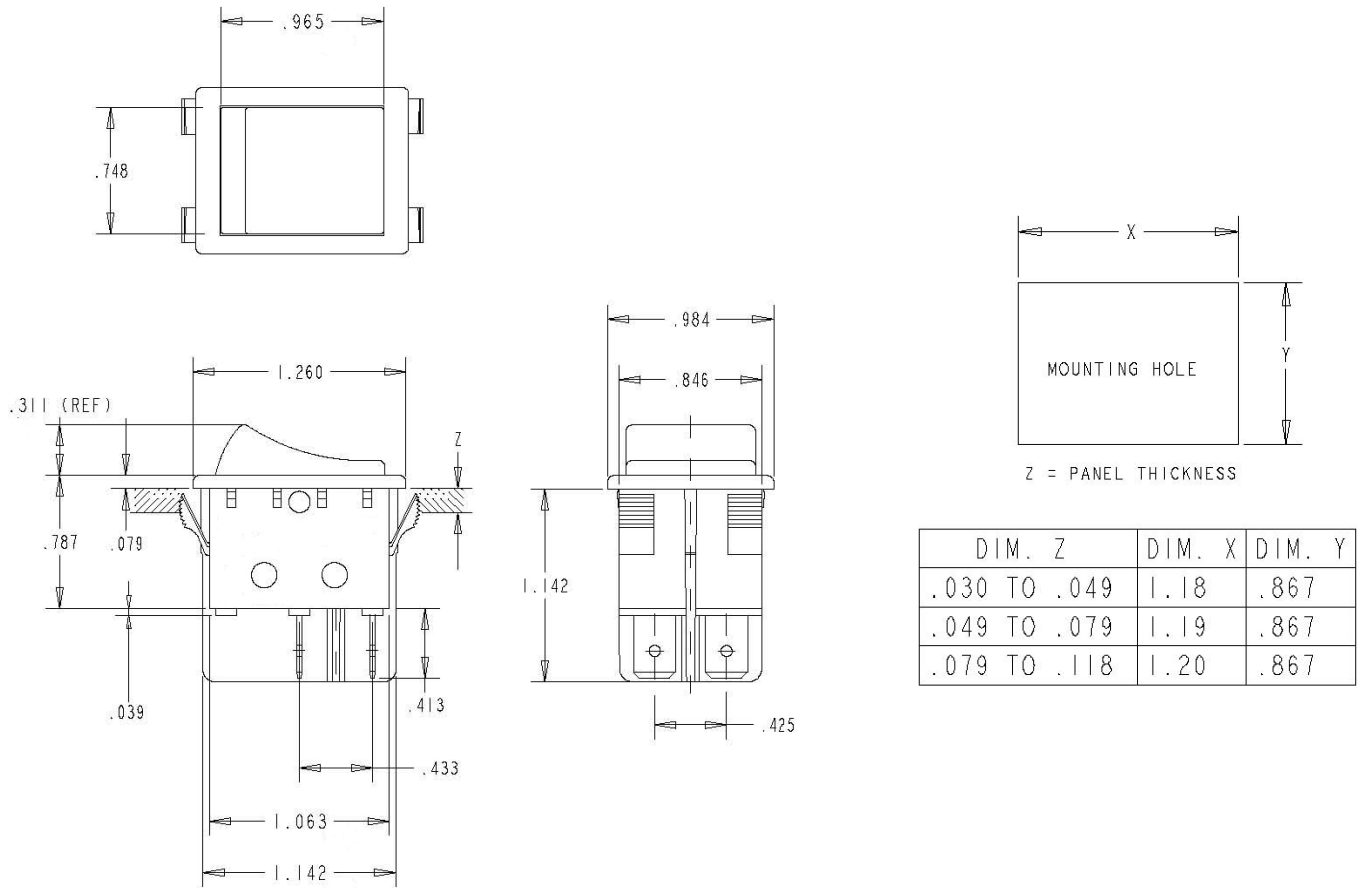


RoHS Compliant
UL File No: E23301

Specifications subject to change without notice.

Double-Pole Rocker Switch WR Series

Dimensions inches (mm)



Examples of Common Part Numbers and Descriptions inches (mm)

Part Number	Circuitry	Switch Function	Terminal Type	Actuator/ Housing Color	Legend Marking
WRG32F2FBBNN		On - Off	0.250 (6.3) Quick-Connect	Black/Black	
WRG32F2BBRLN		On - Off/Lighted	0.250 (6.3) Quick-Connect	Red/Black	
Boot #0015-0646					

