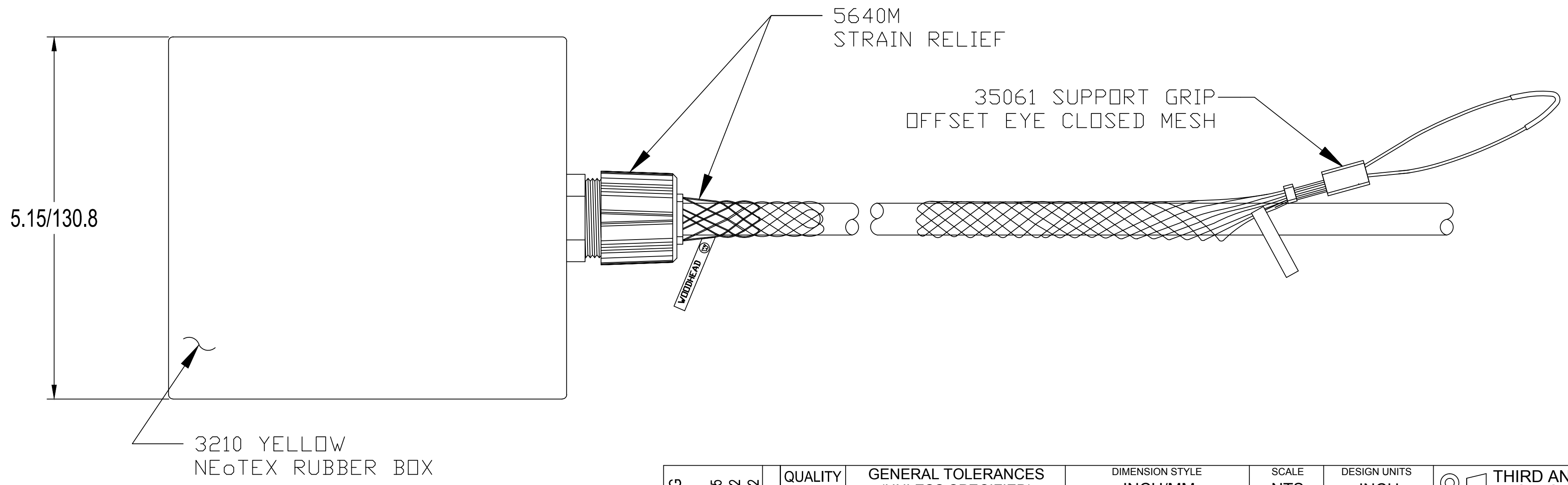
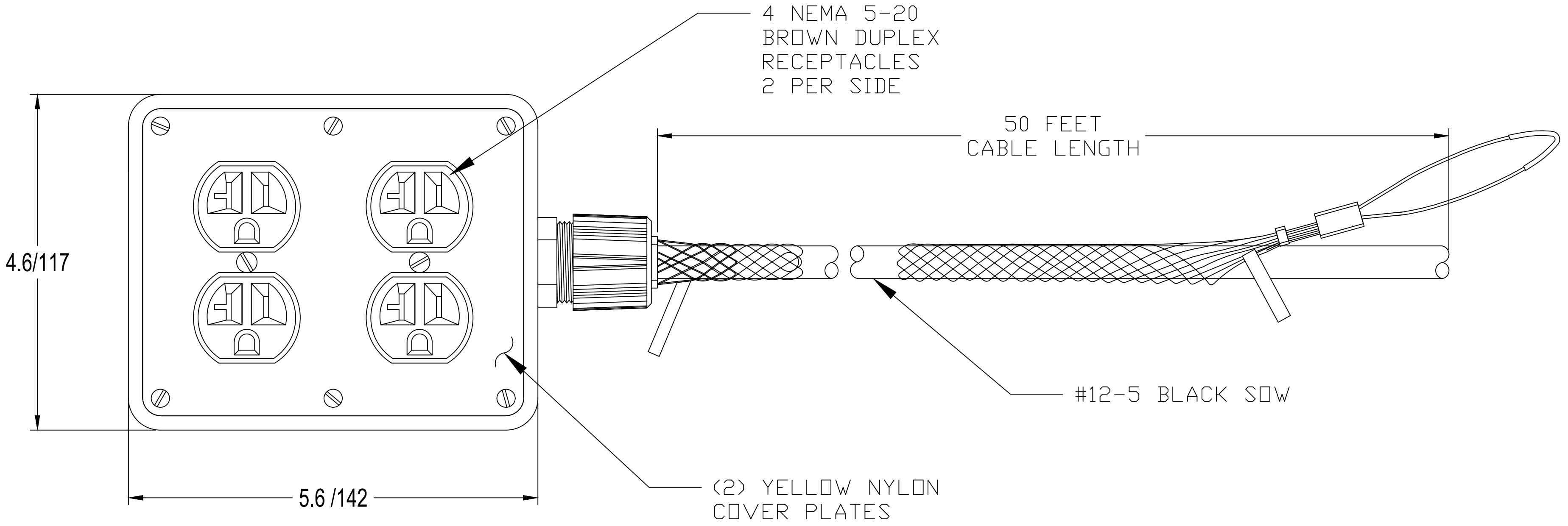


13 12 11 10 9 8 7 6 5 4 3 2 1

J I H G F E D C B A



CUSTOMER APPROVAL DWG EC NO: IPG2017-0130 DRWN: HKNEELAN 2016/08/05 CH'KD: HKNEELAN 2016/08/22 APPR: JFMURPHY 2016/08/22	QUALITY SYMBOL	GENERAL TOLERANCES (UNLESS SPECIFIED)		DIMENSION STYLE INCH/MM		SCALE NTS	DESIGN UNITS INCH	THIRD ANGLE PROJECTION	
	▽=0	4 PLACES	±---	±---	DRAWN BY	DATE	TITLE		
	∇=0	3 PLACES	±---	±---	CHECKED BY	DATE	3210 OUTLET BOX 50FT. #12-5 BLK CORD, 4-NEMA 5-20 RECPT & GRIP		
		2 PLACES	±0.05	±---	HKNEELAN	2016/08/22			
		1 PLACE	±0.10	±---	APPROVED BY	DATE	MOLEX INCORPORATED		
		ANGULAR ±.5°		JFMURPHY	2016/08/22	DOCUMENT NO. SD-130135-057			
		DRAFT WHERE APPLICABLE MUST REMAIN WITHIN DIMENSIONS		MATERIAL NO. 1301350405		SHEET NO. 1 OF 1			
				SIZE C	THIS DRAWING CONTAINS INFORMATION THAT IS PROPRIETARY TO MOLEX INCORPORATED AND SHOULD NOT BE USED WITHOUT WRITTEN PERMISSION				

13 12 11 10 9 8 7 6 5 4 3 2 1