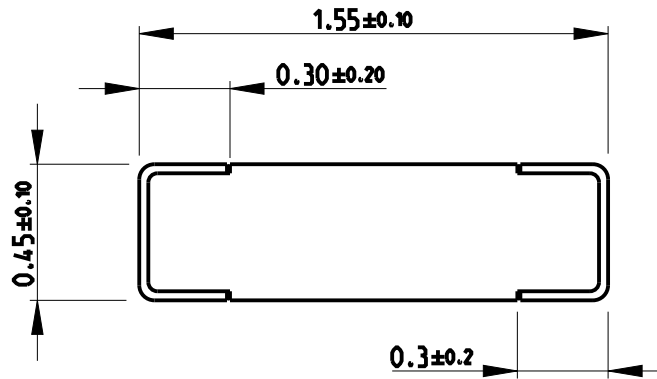


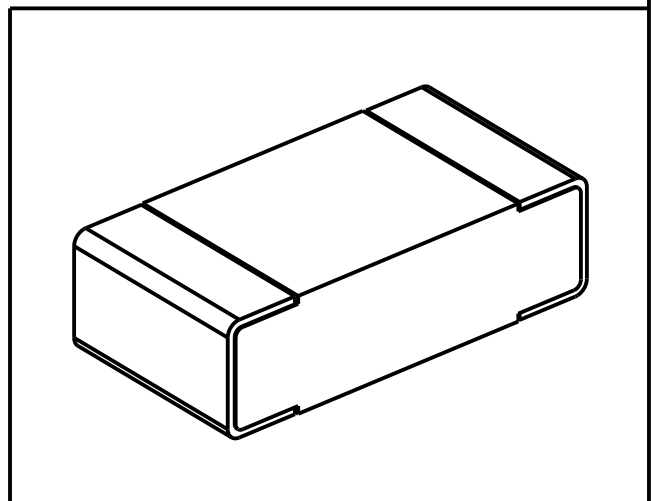
REVISIONS

P	LTR	DESCRIPTION	DATE	DWN	APVD
	BA1	ECR-14-009193	19JUN2014	KR	TN

FOR FURTHER INFORMATION SEE DATA SHEET FOR  
CPF SERIES-THIN FILM PRECISION CHIP RESISTORS



RoHS Compliant



2008


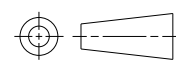
RELEASED FOR PUBLICATION

ALL RIGHTS RESERVED.

BY -

© COPYRIGHT 2008

THIS DRAWING IS UNPUBLISHED.

DIMENSIONS: mm		DWN SUBHASH.M 29-Sep-08	MATERIAL	FINISH	
TOLERANCES UNLESS OTHERWISE SPECIFIED:		CHK PRAKASH.S 29-Sep-08	 TE Connectivity		
0 PLC ±0.2		APVD STEPHEN.P 29-Sep-08			
1 PLC ±0.1		PRODUCT SPEC	NAME THIN FILM PRECISION CHIP RESISTORS		
2 PLC ±		APPLICATION SPEC	SERIES CPF 0603		
3 PLC ±		WEIGHT	SIZE	CAGE CODE	DRAWING NO
4 PLC ±			A 4	00779	C-1879335
ANGLES 5°			RESTRICTED TO		
		Customer Drawing	SCALE	SHEET	REV
			40:1	1 OF 1	BA1