



## Main

|                               |  |
|-------------------------------|--|
| Range of product              | OsiSense XC  |
| Series name                   | Standard format  |
| Product or component type     | Limit switch   |
| Device short name             | XCKM   |
| Body type                     | Fixed  |
| Head type                     | Plunger head   |
| Material                      | Metal  |
| Body material                 | Zamak  |
| Fixing mode                   | By the body  |
| Movement of operating head    | Linear   |
| Type of operator              | Spring return plunger metal  |
| Type of approach              | Vertical approach 1 direction  |
| Cable entry                   | 3 entries tapped for M20 x 1.5 cable gland, cable outer diameter: 0.28...0.51 in (7...13 mm) |
| Number of poles               | 2  |
| Contacts type and composition | 1 NC + 1 NO  |
| Contact operation             | Slow-break, break before make  |

## Complementary

|  |  |
|--|--|
| Switch actuation   | On end   |
| Electrical connection                                    | Screw-clamp terminals, clamping capacity: 1 x 0.5...2 x 2.5 mm <sup>2</sup>  |
| Contacts insulation form                                 | Zb   |
| Number of steps  | 1  |
| Positive opening   | With   |
| Positive opening minimum force                           | 45 N   |
| Minimum force for tripping                               | 15 N   |
| Minimum actuation speed                                  | 6 m/min  |
| Maximum actuation speed                                  | 1.64 ft/s (0.5 m/s)  |
| Repeat accuracy  | 0.05 mm on the tripping points with 1 million operating cycles   |
| Contact code designation                                 | A300, AC-15 (U <sub>e</sub> = 240 V, I <sub>e</sub> = 3 A) conforming to EN/IEC 60947-5-1 appendix A<br>Q300, DC-13 (U <sub>e</sub> = 250 V, I <sub>e</sub> = 0.27 A) conforming to EN/IEC 60947-5-1 appendix A  |
| [I <sub>th</sub> ] conventional enclosed thermal current | 10 A AC  |
| [U <sub>i</sub> ] rated insulation voltage               | 500 V degree of pollution 3 conforming to IEC 60947-1<br>300 V conforming to UL 508<br>300 V conforming to CSA C22.2 No 14   |
| Resistance across terminals                              | <= 25 MOhm conforming to IEC 60255-7 category 3  |
| [U <sub>imp</sub> ] rated impulse withstand voltage      | 6 kV conforming to IEC 60664<br>6 kV conforming to IEC 60947-1   |
| Short-circuit protection                                 | 10 A by gG cartridge fuse  |
| Electrical durability                                    | 5000000 cycles, DC-13, inductive load type, 120 V, 4 W, operating rate: <= 60 cyc/mn, load factor: 0.5 conforming to IEC 60947-5-1 appendix C<br>5000000 cycles, DC-13, inductive load type, 24 V, 7 W, operating rate: <= 60 cyc/mn, load factor: 0.5 conforming to IEC 60947-5-1 appendix C<br>5000000 cycles, DC-13, inductive load type, 48 V, 10 W, operating rate: <= 60 cyc/mn, load factor: 0.5 conforming to IEC 60947-5-1 appendix C |
| Mechanical durability                                    | 20000000 cycles  |
| Width  | 2.52 in (64 mm)  |
| Height   | 2.52 in (64 mm)  |
| Depth  | 1.18 in (30 mm)  |

The information provided in this documentation contains general descriptions and/or technical characteristics of the products contained herein. This documentation is not intended as a substitute for and is not to be used for determining suitability or reliability of these products for specific user applications. It is the duty of any such user or integrator to perform the appropriate and complete risk analysis, evaluation and testing of the products with respect to the relevant specific application or use thereof. Neither Schneider Electric Industries SAS nor any of its affiliates or subsidiaries shall be responsible or liable for misuse of the information contained herein.

|                               |                        |
|-------------------------------|------------------------|
| Product weight                | 0.55 lb(US) (0.25 kg)  |
| Terminals description ISO n°1 | (13-14)NO<br>(21-22)NC |

## Environment

|                                       |   |
|---------------------------------------|---|
| shock resistance                      | 50 gn (duration = 11 ms) conforming to EN/IEC 60068-2-27                                |
| vibration resistance                  | 25 gn (f = 10...500 Hz) conforming to EN/IEC 60068-2-6                                  |
| IP degree of protection               | IP66 conforming to EN/IEC 60529   |
| IK degree of protection               | IK05 conforming to EN 50102   |
| electrical shock protection class     | Class I conforming to IEC 61140<br>Class I conforming to NF C 20-030                    |
| ambient air temperature for operation | -13...158 °F (-25...70 °C)  |
| ambient air temperature for storage   | -40...158 °F (-40...70 °C)  |
| protective treatment                  | TC  |
| product certifications                | CCC<br>CSA<br>UL  |
| standards                             | EN 60204-1<br>EN 60947-5-1<br>IEC 60204-1<br>IEC 60947-5-1<br>UL 508<br>CSA C22.2 No 14 |

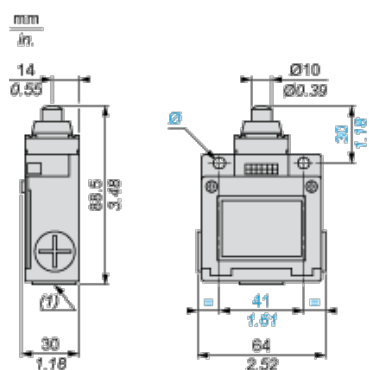
## Offer Sustainability

|  |  |
|--|--|
| Green Premium product  | Green Premium product  |
| Compliant - since 1010 - Schneider Electric declaration of conformity  | Compliant - since 1010 - Schneider Electric declaration of conformity  |
| Reference not containing SVHC above the threshold  | Reference not containing SVHC above the threshold  |
| Need no specific recycling operations  | Need no specific recycling operations  |
| WARNING: This product can expose you to chemicals including:   | WARNING: This product can expose you to chemicals including:   |
| Diisononyl phthalate (DINP), which is known to the State of California to cause cancer, and                                | Diisononyl phthalate (DINP), which is known to the State of California to cause cancer, and                                |
| Di-isodecyl phthalate (DIDP), which is known to the State of California to cause birth defects or other reproductive harm. | Di-isodecyl phthalate (DIDP), which is known to the State of California to cause birth defects or other reproductive harm. |
| For more information go to <a href="http://www.p65warnings.ca.gov">www.p65warnings.ca.gov</a>                              | For more information go to <a href="http://www.p65warnings.ca.gov">www.p65warnings.ca.gov</a>                              |

## Contractual warranty

|                 |           |
|-----------------|-----------|
| Warranty period | 18 months |
|-----------------|-----------|

## Dimensions

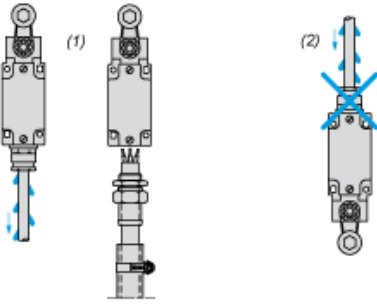


(1) 3 tapped entries M20 x 1.5

Ø : 2 elongated holes Ø 5.2 x 6.2

## Mounting with Cable Entry

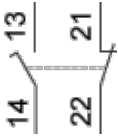
### Position of Cable Gland



- (1) Recommended
- (2) To be avoided

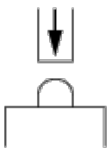
### Wiring Diagram

2-pole N/C + N/O Break before Make, Slow Break

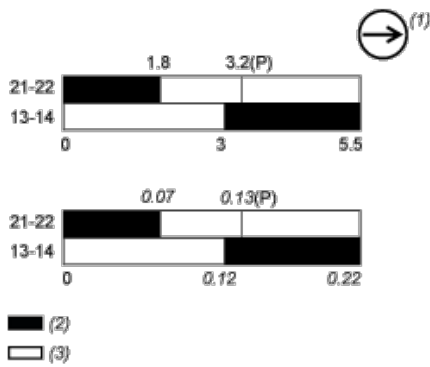


### Characteristics of Actuation

Switch Actuation on End



### Functionnal Diagram



- (P) Positive opening point
- (1) NC contact with positive opening operation
- (2) Closed
- (3) Open