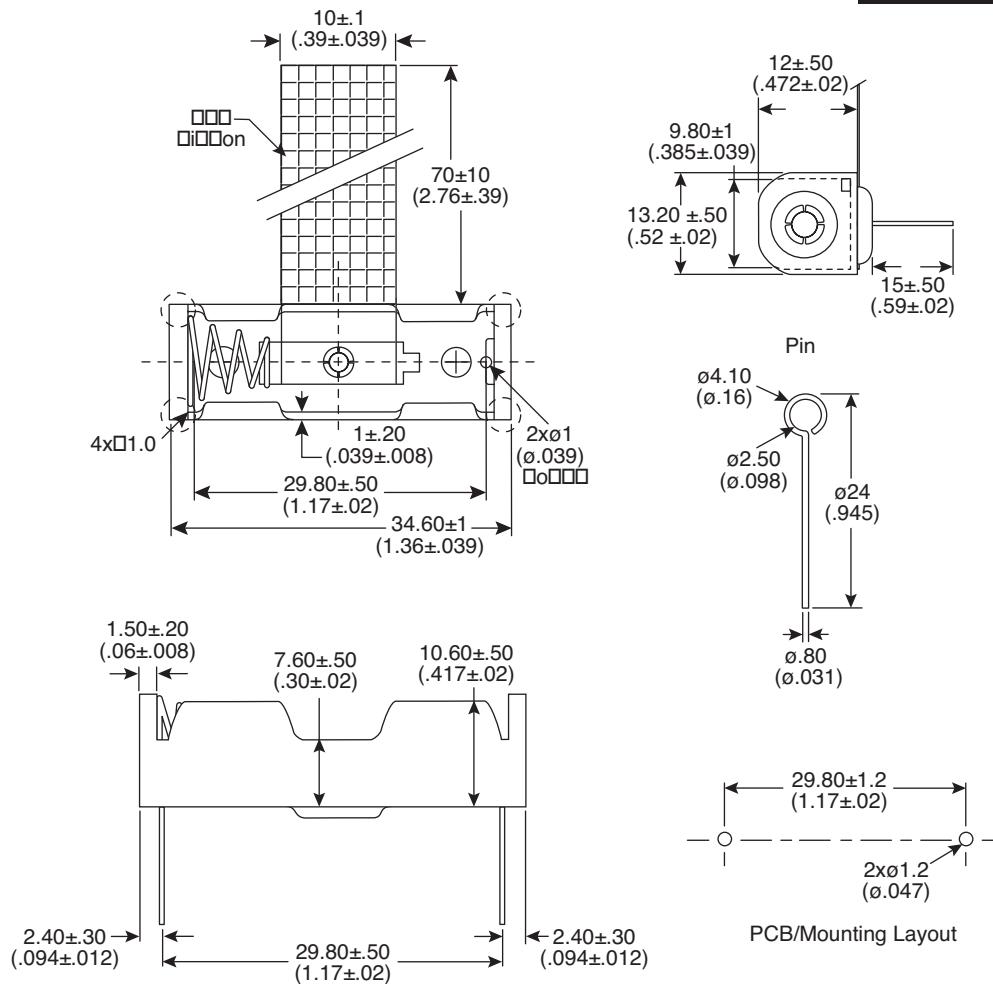


Date Last Revised: 10/1/14



Dimensions: mm (in.)

SPECIFICATIONS	
Body Material:	PP Resin, Black Color
w/ Pin:	$\phi 0.8 \times 24$ mm, Brass Tin
Spring:	0.5mm 65C Spring Steel Nickel Plated
RoHS Compliant	

Available from Mouser Electronics
1-800-346-6873 / www.mouser.com

EPD-200928