

# MICRO SWITCH

A DIVISION OF MINNEAPOLIS HONEYWELL REGULATOR COMPANY  
FREEPORT, ILLINOIS

FED. MFR. CODE 91929

## SWITCH - ENCLOSED

CATALOG LISTING  
**1CH28**

BLACK ———> WHITE  
                  <—— GREEN

CIRCUIT DIAGRAM

CO  
L 57370  
TSK  
16 MAY 85  
CO  
M 53259  
TSK  
15 APR 88  
CO  
N 173101  
LTF  
2 FEB 93  
CO  
P 77804  
SAD  
FMAY84  
Q 0016449  
KSR  
27OCT05

1CH28

M

DRAWING NUMBER

ISSUE 16

REPLACES

RELEASE NO. SR12268

27OCT05

RJ

CHECK

4 SEPT 64

TJC

CHECK

28 SEPT 66

MBF

CHECK

4 SEPT 64

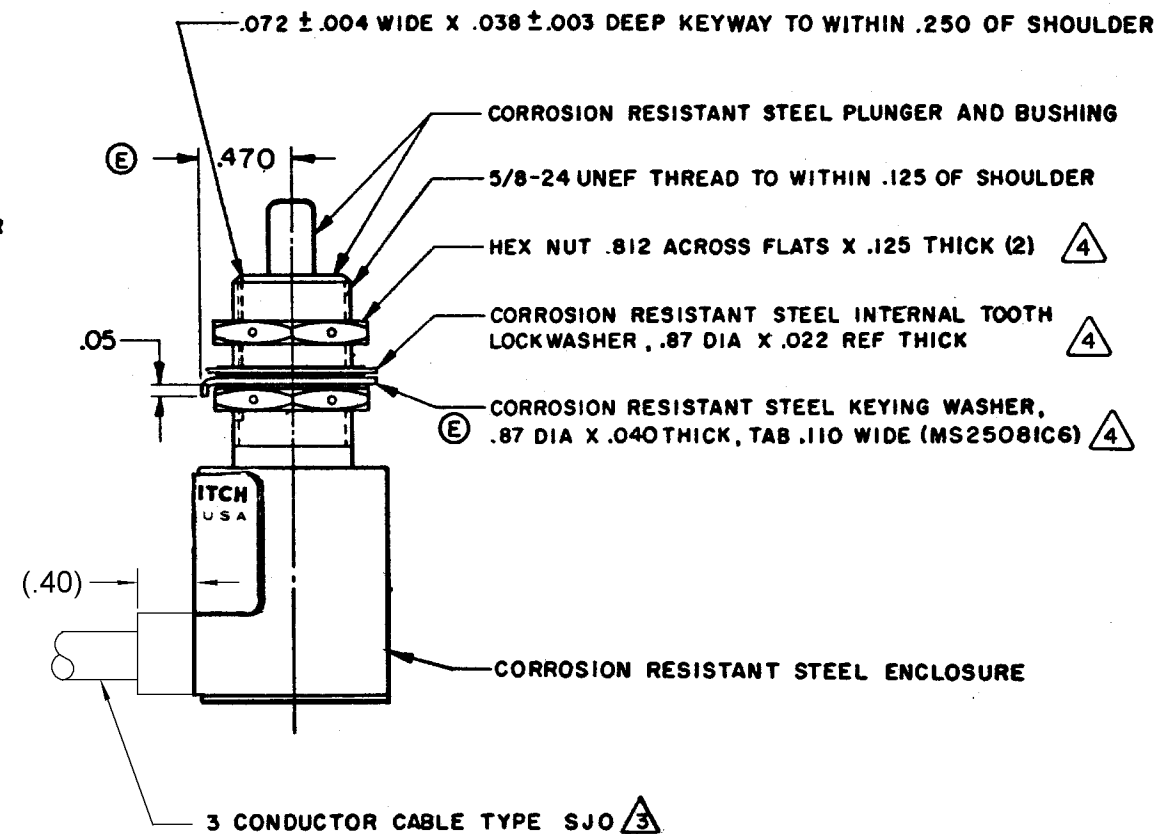
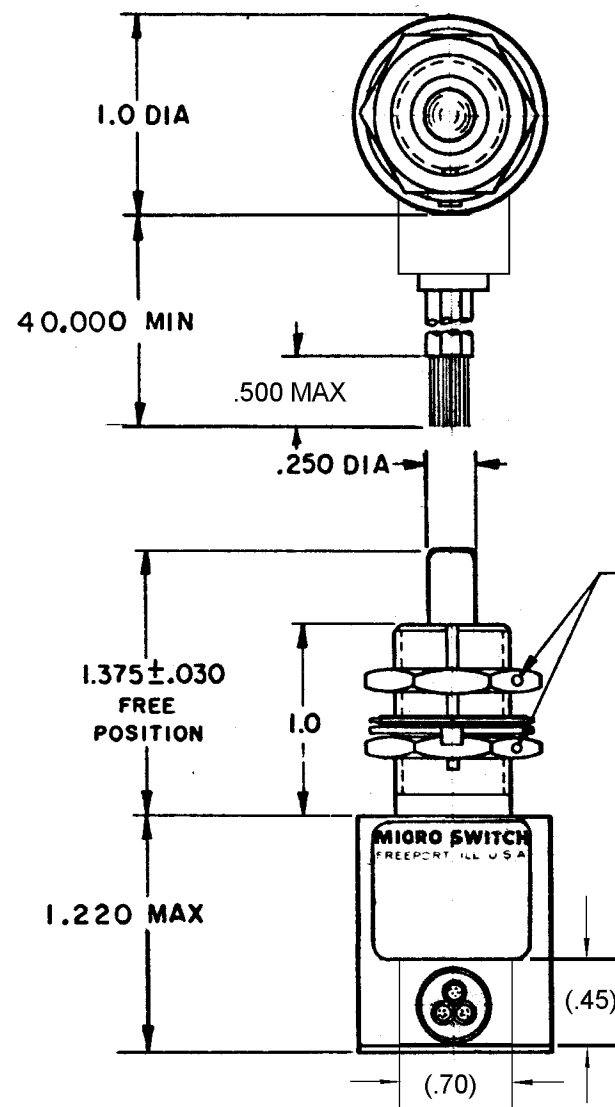
DAW

CHECK

2 SEP 64

MBF

DRAWN



REVISIONS

A	MADE MPS	12 NOV 64
B	CO20147	5 AUG 65
C	SR12268	15 APR 66
D	CO21874	28 SEPT 66
E	CO22953	1 NOV 67
F	CO31643-8	9 OCT 74
G	CO33908	4 NOV 74
H	CO-34722	7 JAN 76
J	CO44351	6 DEC 78
K	CO47573	28 JUL 80

THIS DRAWING COVERS A PROPRIETARY ITEM AND IS THE PROPERTY OF MICRO SWITCH, A DIVISION OF MINNEAPOLIS-HONEYWELL REGULATOR CO. THIS DRAWING IS NOT TO BE COPIED OR USED WITHOUT THE APPROVAL OF MICRO SWITCH.

CHARACTERISTICS	ELECTRICAL DATA		SCALE FULL
OPERATING FORCE ——— 6-12 LB	CONTACT ARRANGEMENT S P D T		DO NOT SCALE PRINT
FULL OVERTRAVEL FORCE — 30 LB MAX	28 VDC		UNLESS OTHERWISE SPECIFIED
RELEASE FORCE ——— 4 LB MIN	LOAD	SEA LEVEL	DIMENSIONS ARE IN INCHES
PRETRAVEL ——— .040 MAX	RES	50,000 FT.	<b>TOLERANCES ARE:</b>
DIFFERENTIAL TRAVEL — .020 MAX	IND		ONE PLACE (.0) 2.000
OVERTRAVEL ——— .250 MIN	MOTOR		TWO PLACE (.00) 2.015
			THREE PLACE (.000) 2.005
			ANGLES 2
			WEIGHT .8.6 OZ MAX

NOTES

- 1 - SWITCH SEALED PER MIL-PRF-8805 SYMBOL 3
  - 2 - CIRCUIT DIAGRAM, CATALOG LISTING AND DATE CODE ARE SHOWN ON NAMEPLATE
- WIRE LEADS COLOR CODED TO SHOW LEAD IDENTIFICATION  
HARDWARE MAY BE PACKAGED UNASSEMBLED PER MIL-PRF-8805

RASTER

0-50378.003