

THIS DRAWING IS UNPUBLISHED.

RELEASED FOR PUBLICATION

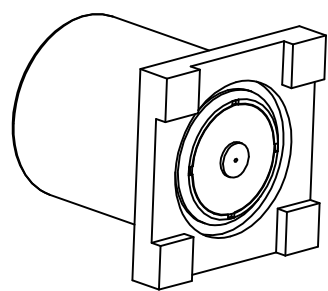
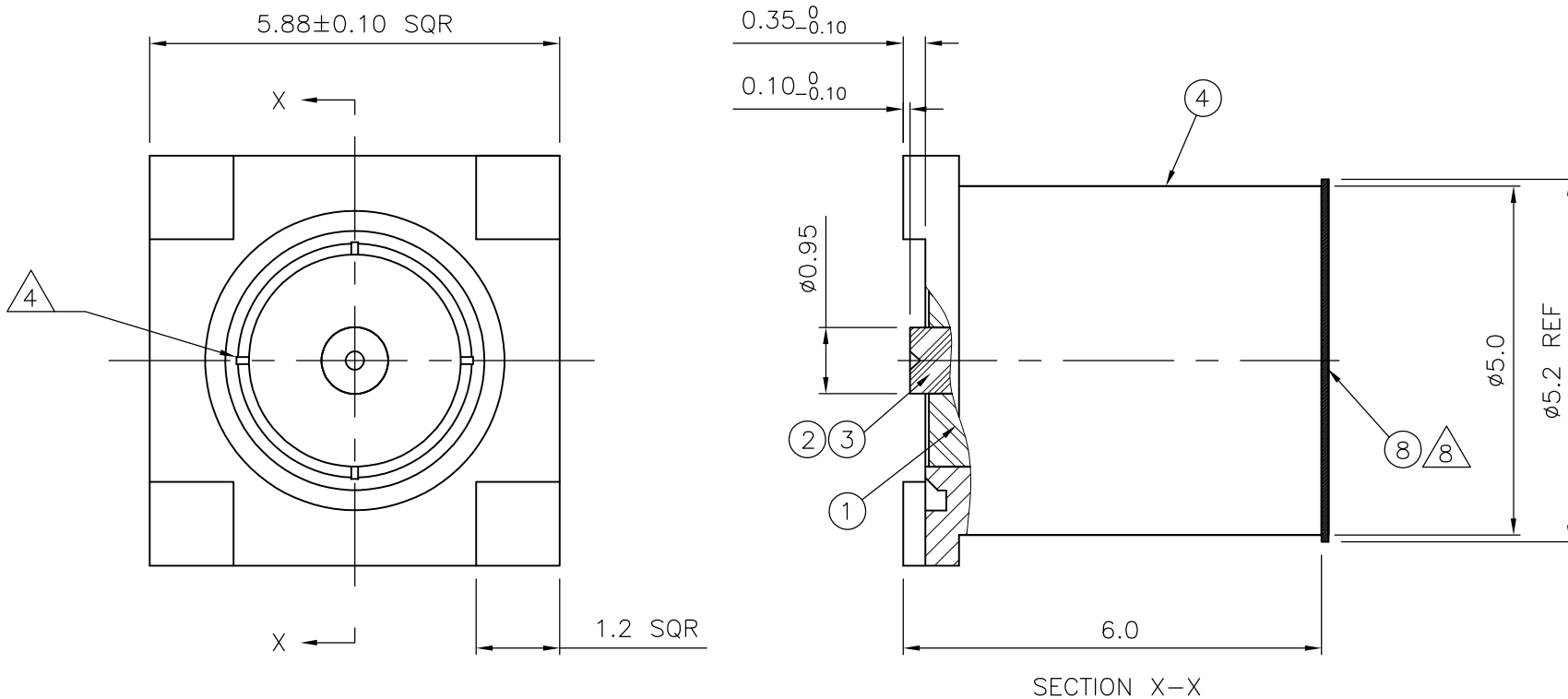
ALL RIGHTS RESERVED.

© COPYRIGHT - By -

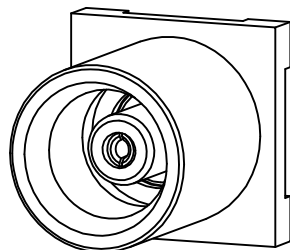
| LOC | DIST | REVISIONS | | | |
|-----|------|---------------|-----------|-----|------|
| P | LTR | DESCRIPTION | DATE | DWN | APVD |
| E | B | | | | |
| | D | ECO-13-010895 | 17JUN2014 | RZ | MC |

NOTES:

- 1 PACKAGE ONE COMPLETE CONNECTOR IN HEAT SEALED, LABELED BAG. LABELED PER TEC-107-115
- 2 TAPE AND REEL PACKAGING OPTION AS PER NOTES 13 AND 14
- 3 0.1-0.2µm Au PLATING
- 4 FOUR POINT INDENT STAGGERED 90° ON RADIUS
- 5 0.8µm Au PLATING
- 6. DIELECTRIC MUST WITHSTAND A 10 N AXIAL RETENTION FORCE AFTER INDENT
- 7. COAX CONNECTOR CONFORMS WITH SPEC CECC 22220
- 8 KAPTON CAP SHOWS JUST FOR 6-1337582-0



SCALE 5:1



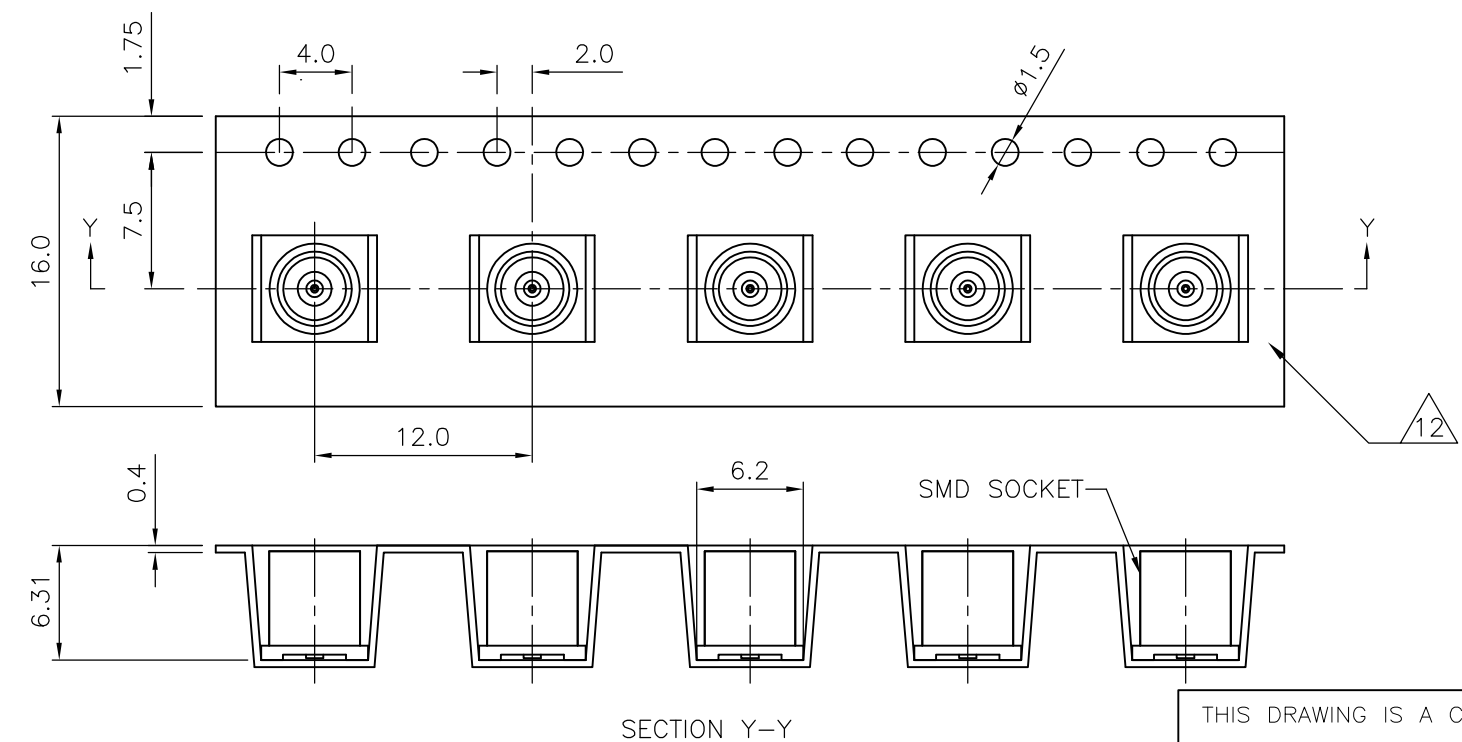
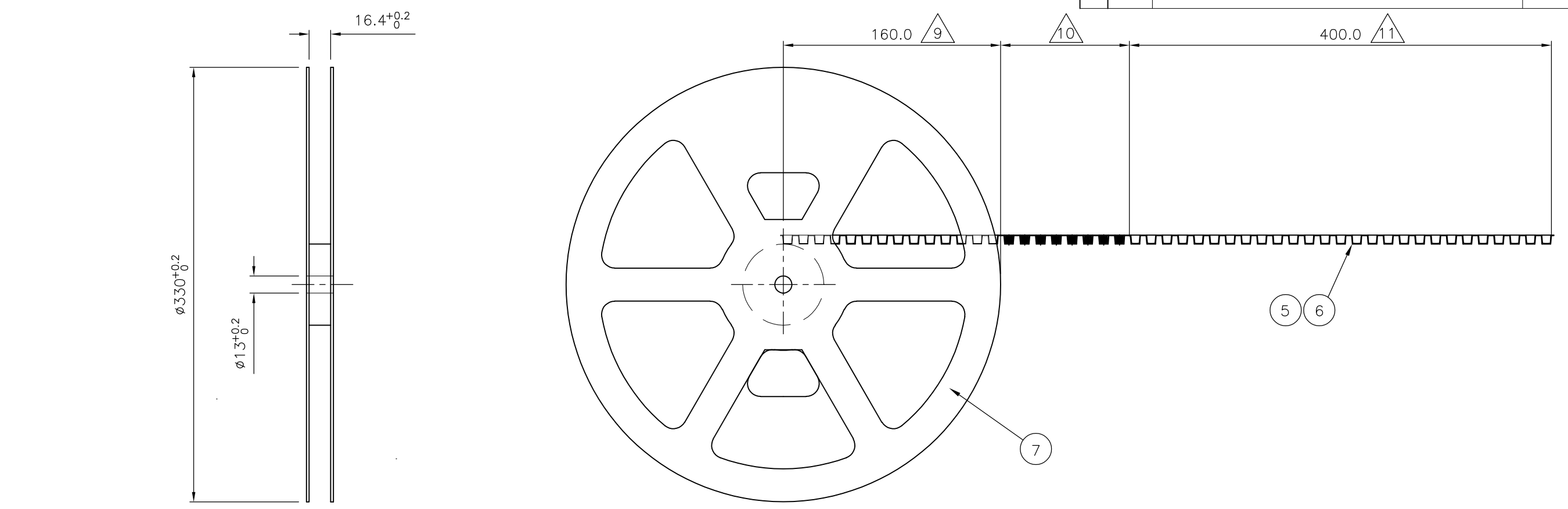
SCALE 5:1

| QTY | PLC | PLC | PLC | MATERIAL | DESCRIPTION | ITEM No |
|------|------|------|------|------------------------------|-----------------------------|---------|
| - | 1 | - | - | PLOYIMIDE GREEN | KAPTON GREEN CAP | 8 |
| 1 | 1 | - | - | POLYSTRENE REGRIND BLACK | REEL 13" | 7 |
| 1 | 1 | - | - | PET TRANSPARENT | COVER BELT FOR BLISTER BELT | 6 |
| 1 | 1 | - | - | POLYSTRENE VOLUME CONDUCTIVE | BLISTER BELT | 5 |
| 1 | 1 | 1 | 1 | BRASS | BODY | 4 |
| 1 | - | 1 | - | PHOSPHOR BRONZE | FEMALE CONTACT | 3 |
| - | 1 | - | 1 | PHOSPHOR BRONZE | FEMALE CONTACT | 2 |
| 1 | 1 | 1 | 1 | PTFE | DIELECTRIC | 1 |
| 6--1 | 6--0 | 1--1 | 1--0 | | | |
| 2 | 2 | 1 | 1 | | | |

| | | | | | | | | | | | | | | | | |
|--|----------|-------------------------------------|----------------------------|-------------------------|-------|-------|--------|-------|---------|-------|----------|--------|-----|--------------------------|---------------|--|
| THIS DRAWING IS A CONTROLLED DOCUMENT. | | DWN J.SANDWELL 10NOV2004 | TE Connectivity | | | | | | | | | | | | | |
| DIMENSIONS: mm | | CHK S.PARLOW 10NOV2004 | | | | | | | | | | | | | | |
| TOLERANCES UNLESS OTHERWISE SPECIFIED: | | APVD F.WHEELER-KING 10NOV2004 | NAME MCX SMD PCB SOCKET | | | | | | | | | | | | | |
| <table border="0"> <tr><td>0 PLC</td><td>± -</td></tr> <tr><td>1 PLC</td><td>± 0.5</td></tr> <tr><td>2 PLC</td><td>± 0.13</td></tr> <tr><td>3 PLC</td><td>± 0.013</td></tr> <tr><td>4 PLC</td><td>± 0.0001</td></tr> <tr><td>ANGLES</td><td>± -</td></tr> </table> | | 0 PLC | ± - | 1 PLC | ± 0.5 | 2 PLC | ± 0.13 | 3 PLC | ± 0.013 | 4 PLC | ± 0.0001 | ANGLES | ± - | PRODUCT SPEC 108-3640 | RESTRICTED TO | |
| 0 PLC | ± - | | | | | | | | | | | | | | | |
| 1 PLC | ± 0.5 | | | | | | | | | | | | | | | |
| 2 PLC | ± 0.13 | | | | | | | | | | | | | | | |
| 3 PLC | ± 0.013 | | | | | | | | | | | | | | | |
| 4 PLC | ± 0.0001 | | | | | | | | | | | | | | | |
| ANGLES | ± - | | | | | | | | | | | | | | | |
| MATERIAL SEE TABLE | | FINISH - | WEIGHT - | SIZE A3 | | | | | | | | | | | | |
| | | CAGE CODE 00779 | | DRAWING NO C-1337582 | | | | | | | | | | | | |
| | | CUSTOMER DRAWING | | SCALE 10:1 | | | | | | | | | | | | |
| | | SHEET 1 OF 2 | | REV D | | | | | | | | | | | | |

THIS DRAWING IS UNPUBLISHED. RELEASED FOR PUBLICATION
 © COPYRIGHT - By - ALL RIGHTS RESERVED.

| LOC | DIST | REVISIONS | | | |
|-----|------|-------------|-------------|-----|------|
| P | LTR | DESCRIPTION | DATE | DWN | APVD |
| E | B | - | SEE SHEET 1 | - | - |



- NOTES (CONT):
- 9 LAST RUNNING ACCORDING TO IEC 60286-3
 - 10 BLISTER BELT FILLED WITH PARTS
 - 11 400mm EMPTY BLISTER BELT, SEALED WITH COVER TAPE
 - 12 BLISTER BELT ACCORDING TO IEC 60286-3
 - 13. UNIT PER REEL: 800 PIECES
 - 14. SMD-STRIP-PACKAGING ACCORDING TO IEC 60286-2

| | | | | | | | | | | | | | | | | | | | |
|---|-----|-------------------------------------|----------------------------|--------------------|-------------------------|--------------------|-----|-------|-----|-------|-----|--------|-----|--------|-----|-------------------|-----------------------|--|--|
| THIS DRAWING IS A CONTROLLED DOCUMENT. | | DWN J.SANDWELL 10NOV2004 | TE Connectivity | | | | | | | | | | | | | | | | |
| DIMENSIONS: mm | | CHK S.PARLOW 10NOV2004 | | | | | | | | | | | | | | | | | |
| TOLERANCES UNLESS OTHERWISE SPECIFIED: | | APVD F.WHEELER-KING 10NOV2004 | NAME MCX SMD PCB SOCKET | | | | | | | | | | | | | | | | |
| <table border="0"> <tr><td>0 PLC</td><td>± -</td></tr> <tr><td>1 PLC</td><td>± -</td></tr> <tr><td>2 PLC</td><td>± -</td></tr> <tr><td>3 PLC</td><td>± -</td></tr> <tr><td>4 PLC</td><td>± -</td></tr> <tr><td>ANGLES</td><td>± -</td></tr> <tr><td>FINISH</td><td>± -</td></tr> </table> | | 0 PLC | ± - | 1 PLC | ± - | 2 PLC | ± - | 3 PLC | ± - | 4 PLC | ± - | ANGLES | ± - | FINISH | ± - | PRODUCT SPEC - | APPLICATION SPEC - | | |
| 0 PLC | ± - | | | | | | | | | | | | | | | | | | |
| 1 PLC | ± - | | | | | | | | | | | | | | | | | | |
| 2 PLC | ± - | | | | | | | | | | | | | | | | | | |
| 3 PLC | ± - | | | | | | | | | | | | | | | | | | |
| 4 PLC | ± - | | | | | | | | | | | | | | | | | | |
| ANGLES | ± - | | | | | | | | | | | | | | | | | | |
| FINISH | ± - | | | | | | | | | | | | | | | | | | |
| MATERIAL - | | WEIGHT - | SIZE A3 | CAGE CODE 00779 | DRAWING NO C-1337582 | RESTRICTED TO - | | | | | | | | | | | | | |
| CUSTOMER DRAWING | | | SCALE NTS | SHEET 2 OF 2 | REV D | | | | | | | | | | | | | | |